



Model 18530-0000 – Pedestal Mount Model 18560-0000 – Motor Pump Unit



CENTRIFUGAL PUMP FEATURES

- Volute Body: Bronze
- Ports: Inlet: 3/4" NPT
- Discharge: 1/2" NPT
- Impeller: Bronze
- Pedestal: Bronze
- Shaft: MPU 316 SS
PED 304 SS
- Seal: Carbon/Ceramic Face with Buna-N
- Motor: 1/3 HP, 115/1/60,
3450 RPM, Open Drip Proof,
Thermal Overload Protected, No Cord.
- Weight: 18530-0000 – 8 lb (3,6 kg)
18560-0000 – 21-1/2 lb (9,8 kg)

Model 18530-0000 – Pedestal Mount,
Model 18560-0000 – Motor Pump Unit

MODEL	DESCRIPTION
18530-0000	Pedestal Mount with Buna-N Seal
18560-0000	Motor Pump Unit with Buna-N Seal

⚠ MOTOR WARNING

MOTOR CAN SPARK. EXPLOSION & DEATH CAN OCCUR.

DO NOT USE WHERE FLAMMABLE VAPORS ARE PRESENT.

DESCRIPTION

The Jabsco bronze centrifugal pumps are designed for continuous duty service. The close coupled, compact motor pump units are equipped with ball bearing motors and stainless steel shafts and have service factors of 1.5 or greater. The pedestal mounted pumps are equipped with two single row ball bearings lubricated for long heavy duty service.

Mechanical rotary seals have carbon/ceramic seal faces with the choice of Buna N or Viton seal parts for application versatility. Unlike the usual Jabsco pump, the Jabsco centrifugal pumps are *not* self priming. Normal installation is flooded suction, that is, with the pump below the source liquid level so that liquid flows by gravity to the pump. The pump may be located above the liquid source, if a check valve or foot valve is installed at the beginning of the suction line; and, the pump and entire suction line if filled with liquid; and, all air is bled from the suction system. The pump will lift water approximately 15 feet on the suction side when primed and will maintain its prime, as long as the foot or check valve functions as it should, without leaking. If the check valve leaks, the pump will not reprime, and must be manually primed in order to resume operation.

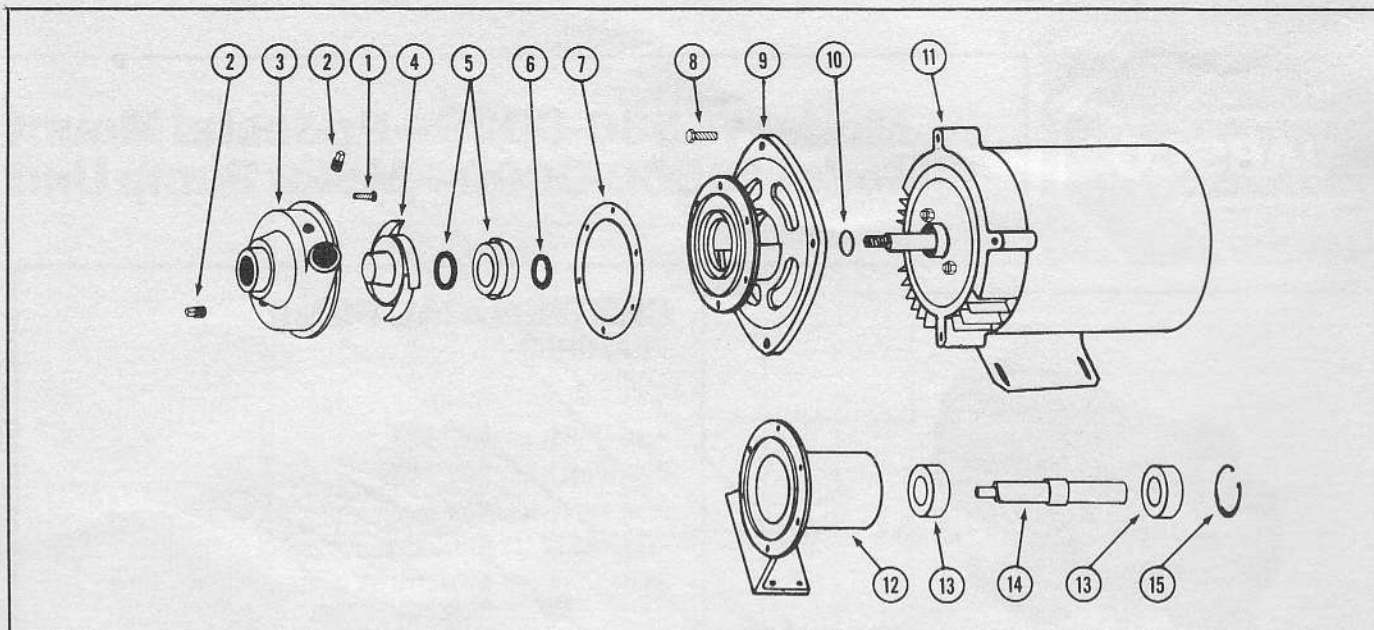
Published performance curves are based on pumping water, at 68°F. Referring to the performance curves for the pedestal mount pump, the maximum horsepower at a given speed is required at open discharge. As the head (pressure) against which the pump operates increases, the horsepower decreases.

Liquids of higher specific gravity (weight) than water require more power to generate the same performance available with water. The horsepower requirement increases directly as the increase in specific gravity. Thus, for a pedestal mount pump we would multiply the horsepower shown for water by the specific gravity of the liquid to be pumped, to determine the horsepower required to do the job.

It is not possible to increase the horsepower of a close coupled motor pump unit, therefore, to pump a liquid of higher specific gravity, with the centrifugal motor pumps, the capacity must be limited by restricting the discharge to stay within the horsepower available. In other words, the discharge must be throttled to the extent that the motor full load amperage rating, found on the motor label, is not exceeded.

In all installations, make sure the suction is not restricted. Do not use an elbow fitting in the pump intake port. Starved suction can result in cavitation which will damage the pump or cause performance deterioration.

Viscous or thick liquids are difficult to pump with a small centrifugal pump. Do not attempt to pump liquids with a viscosity exceeding 1500 SSU (same viscosity as SAE 30 wt. oil at 75°F) with a centrifugal pump. Consider, instead, the Jabsco flexible impeller pump or gear pump.



PARTS LIST

KEY	DESCRIPTION	PART NUMBER	QTY
Common Parts			
1	Screw	91094-0251	8
2	Plug	92650-0040	2
3	Volute Body	18564-0000	1
4	Impeller	18566-0000	1
5	Seal Assembly – Buna Viton	96080-0375 96080-0378	1
6	Slinger	3286-0000	1
7	Gasket	18567-0000	1
Motor Pump Unit			
8	Bolt	91094-0070	4
9	Seal Housing	18565-0000	1
10	Shim	18578-0000	1
11	Motor – 1/3 HP 115/1/60	93004-2608	1
Pedestal Unit			
12	Pedestal	18534-0000	1
13	Bearing	92600-0460	2
14	Shaft	18579-0000	1
15	Retaining Ring	18719-0000	1

DISASSEMBLY INSTRUCTIONS

- | | | | |
|-----|--|-----|--|
| MPU | | Ped | 5. Remove retaining ring from bearing housing. |
| Ped | 1. Remove 8 body screws and body. | Ped | 6. Place block of wood on shaft threaded end to protect threads, support pedestal and press shaft and bearing assembly out of pedestal. |
| MPU | | Ped | 7. Support flange face of pedestal and using a 1-3/8" dia. dowel or plastic pipe, press seal from pedestal. |
| Ped | 2. Remove body gasket. | Ped | 8. Place two metal bars between bearings to support bearing while pressing shaft out of bearing. Use a wooden block to protect threads when removing shaft from inner bearing. |
| MPU | | MPU | 9. Remove seal housing from motor. Use a 1-3/8" dia. dowel or plastic pipe to press seal from pedestal. |
| Ped | 3. Prevent shaft from turning. Pedestal Pump – Grasp shaft with vice grip pliers. MPU – Insert screwdriver in slot in end of motor shaft after removing end cap. Grasp nose of impeller with vice-grip pliers and rotate impeller counterclockwise to unthread from shaft. | | |
| MPU | | | |
| Ped | 4. Use a pointed tool to remove seal seat from rear of impeller. | | |

For technical advice or service please take your pump into your local pump service center.
To order pump or parts or for pricing please go to the following links :

[Jabsco Pumps Home >>](#)

[Jabsco Pumps stock list >>](#)