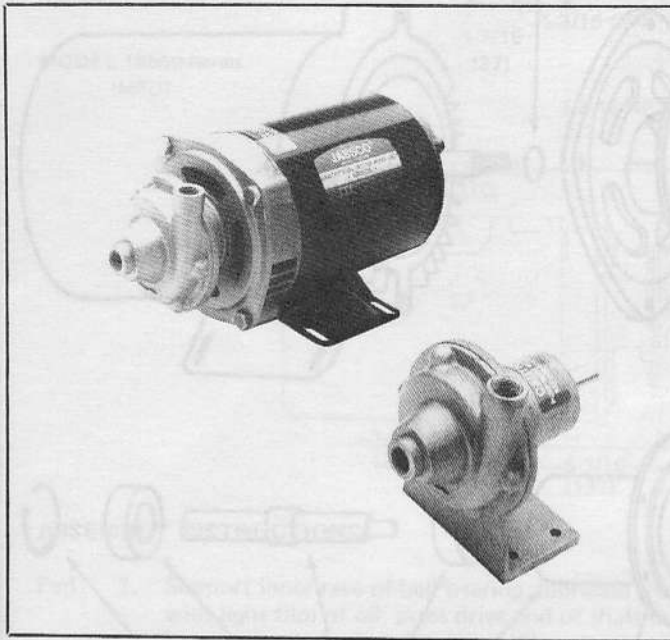


JABSCO®

Model 18520-SERIES PEDESTAL MOUNT

Model 18550-SERIES MOTOR PUMP UNIT



BRONZE CENTRIFUGAL FEATURES

Volute Body:	Bronze
Ports:	Inlet 3/8 inches NPT Discharge 3/8 inches NPT
Impeller:	Bronze
Pedestal:	Bronze
Shaft:	MPU 316 SS PED 304 SS
Seal:	Carbon/Ceramic Face with Buna-N
Motor:	1/3 HP, 115/1/60, 3450 RPM, Open Drip Proof, Thermal Overload Protected, No cord.
Weight:	18520-Series – 6-1/4 lb (2,8 kg) 18550-Series – 20-5/8 lb (9,4 kg)

 Model 18520-SERIES, PED
 Model 18550-SERIES, MPU

VARIATIONS AVAILABLE

MODEL	DESCRIPTION
18520-0000	Pedestal Mount with Buna-N Seal
18550-0000	Motor Pump Unit with Buna-N Seal

⚠ MOTOR WARNING



MOTOR CAN SPARK.
EXPLOSION & DEATH
CAN OCCUR.
DO NOT USE WHERE
FLAMMABLE VAPORS
ARE PRESENT.

DESCRIPTION

The Jabsco bronze centrifugal pumps are designed for continuous duty service. The close coupled, compact motor pump units are equipped with ball bearing motors and stainless steel shafts and have service factors of 1.5 or greater.

The pedestal mounted pumps are equipped with two single row ball bearings lubricated for long heavy duty service.

Mechanical rotary seals have carbon/ceramic seal faces with the choice of Buna N or Viton seal parts for application versatility. Unlike the usual Jabsco pump, the Jabsco centrifugal pumps are *not* self priming. Normal installation is flooded suction, that is, with the pump below the source liquid level so that liquid flows by gravity to the pump. The pump may be located above the liquid source, if a check valve or foot valve is installed at the beginning of the suction line; and, the pump and entire suction line is filled with liquid; and, all air is bled from the suction system. The pump will lift water approximately 15 feet on the suction side when primed and will maintain its prime, as long as the foot or check valve functions as it should, without leaking. If the check valve leaks, the pump will not reprime, and must be manually primed in order to resume operation.

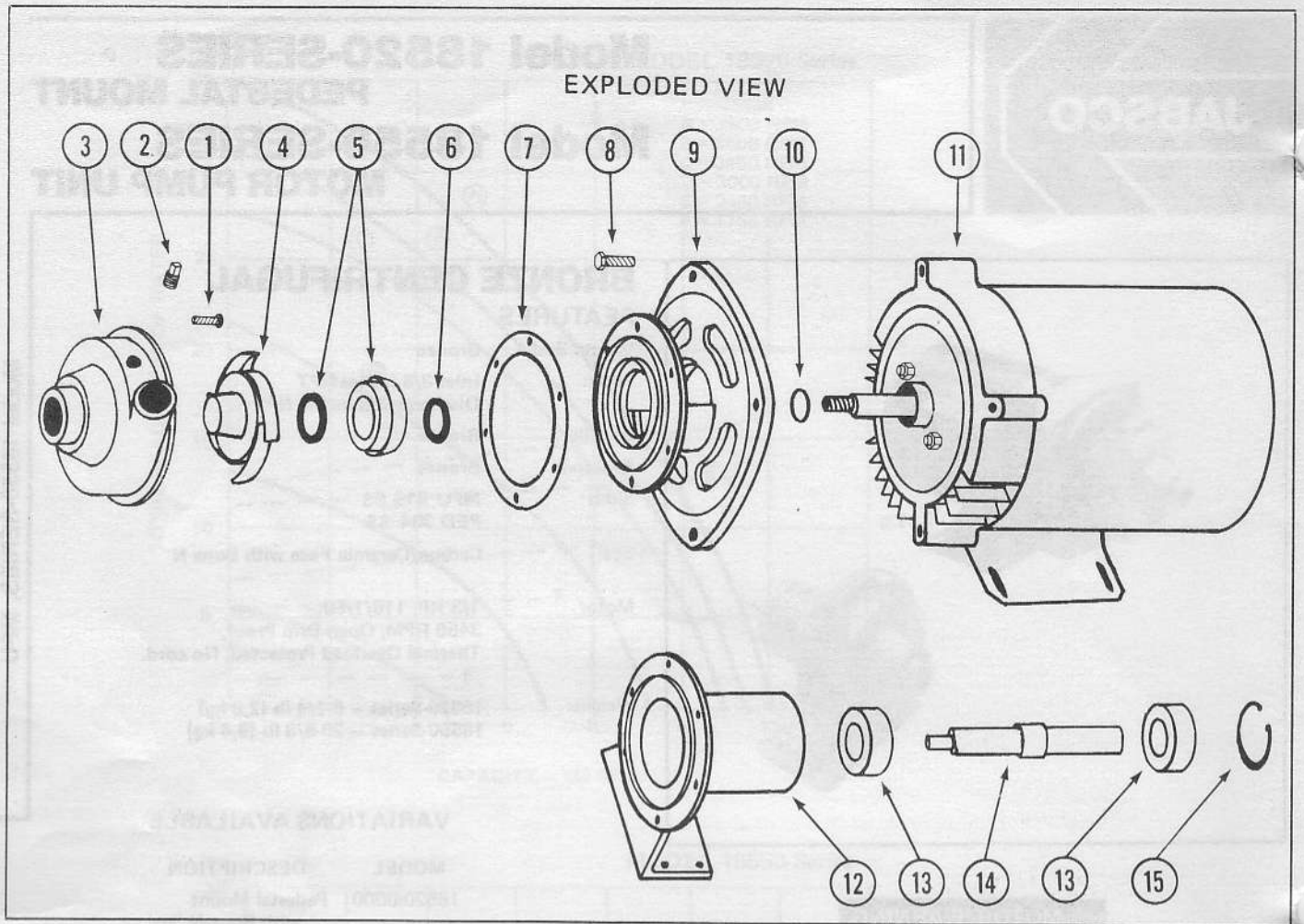
Published performance curves are based on pumping water, at 68° F. Referring to the performance curves for the pedestal mount pump, the maximum horsepower at a given speed is required at open discharge. As the head (pressure) against which the pump operates increases, the horsepower decreases.

Liquids of higher specific gravity (weight) than water require more power to generate the same performance available with water. The horsepower requirement increases directly as the increase in specific gravity. Thus, for a pedestal mount pump we would multiply the horsepower shown for water by the specific gravity of the liquid to be pumped, to determine the horsepower required to do the job.

It is not possible to increase the horsepower of a close coupled motor pump unit, therefore, to pump a liquid of higher specific gravity with the centrifugal motor pumps, the capacity must be limited by restricting the discharge to stay within the horsepower available. In other words, the discharge must be throttled to the extent that the motor full load amperage rating, found on the motor label, is not exceeded.

In all installations, make sure the suction is not restricted. Do not use an elbow fitting in the pump intake port. Starved suction can result in cavitation which will damage the pump and cause performance deterioration.

Viscous or thick liquids are difficult to pump with a small centrifugal pump. Do not attempt to pump liquids with a viscosity exceeding 1500 SSU (SAE 30 WT OIL at 75°F) with a centrifugal pump. Consider, instead, the Jabsco flexible impeller pump or gear pump.



PARTS LIST

KEY	DESCRIPTION	PART NUMBER	QTY.
COMMON PARTS			
1	Screw	91094-0251	6
2	Plug	92650-0040	1
3	Volute Body	18554-0000	1
4	Impeller	18556-0000	1
5	Seal Assembly – BUNA – VITON*	96080-0375 96080-0378	1
6	Slinger	3286-0000	1
7	Gasket	18557-0000	1
MOTOR PUMP UNIT			
8	Bolt	91094-0070	4
9	Seal Housing	18555-0000	1
10	Shim	18578-0000	1
11	Motor 1/3 HP 115/1/60	93004-2608	1
PEDESTAL UNIT			
12	Pedestal	18525-0000	1
13	Bearing	92600-0460	2
14	Shaft	18579-0000	1
15	Retaining Ring	18719-0000	1

*Viton is a trademark of E. I. Du Pont de Nemours and Company.

For technical advice or service please take your pump into your local pump service center.
To order pump or parts or for pricing please go to the following links :

[Jabsco Pumps Home >>](#)

[Jabsco Pumps stock list >>](#)