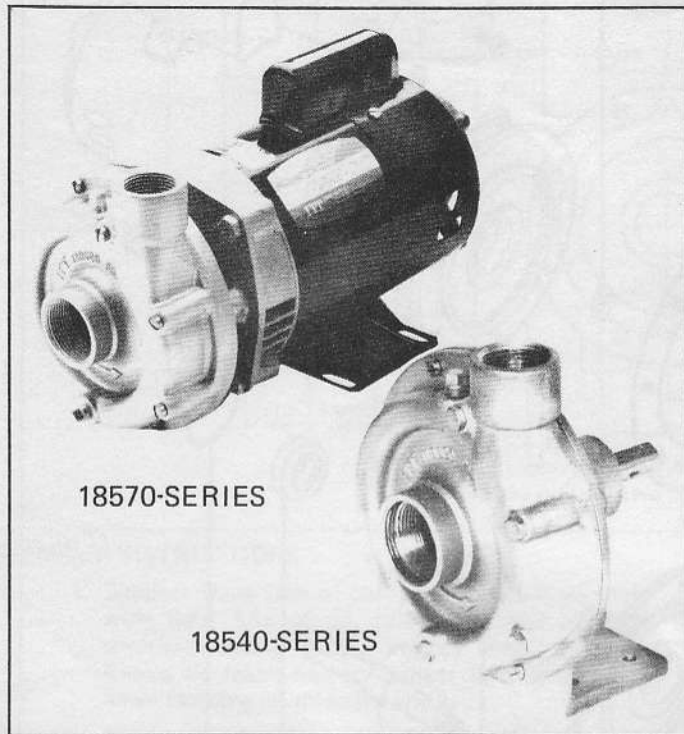




# Models 18540-SERIES Ped. 18570-SERIES M.P.U.

Models 18540-SERIES Ped., 18570-SERIES M.P.U.



## BRONZE CENTRIFUGAL FEATURES

- Volute Body: **Bronze**
- Ports – Inlet: **1-1/4" NPT**
- Discharge: **1" NPT**
- Impeller: **Bronze**
- Pedestal: **Bronze**
- Shaft: **MPU – 316 SS  
Ped. – 304 SS**
- Seal: **Carbon/Ceramic Face with Buna-N**
- Motor: **1/3 HP, 115/1/60,  
Open Drip Proof, 3450 RPM**  
**1/2 HP, 115/230/1/60,  
Open Drip Proof, 3450 RPM**  
**3/4 HP, 115/230/1/60,  
Open Drip Proof, 3450 RPM**
- Weight: **18570-0000 – 25-1/2 lb (11,6 kg)**  
**18570-0001 – 25-3/4 lb (11,7 kg)**  
**18570-0002 – 28-5/8 lb (13 kg)**  
**18540-0000 – 11-1/8 lb (5 kg)**  
**18540-0001 – 11-1/8 lb (5 kg)**  
**18540-0002 – 11-1/8 lb (5 kg)**

**⚠ MOTOR WARNING**

MOTOR CAN SPARK. EXPLOSION & DEATH CAN OCCUR.  
DO NOT USE WHERE FLAMMABLE VAPORS ARE PRESENT.

### MODELS AVAILABLE MOTOR PUMP UNITS

MOTOR	IMPELLER DIAMETER	BUNA SEAL
1/3 HP	3"	18570-0000
1/2 HP	3-1/2"	18570-0001
3/4 HP	3-3/4"	18570-0002

### PEDESTAL PUMP UNITS

N/A	3"	18540-0000
N/A	3-1/2"	18540-0001
N/A	3-3/4"	18540-0002

### DESCRIPTION

The Jabsco bronze centrifugal pumps are designed for continuous duty service. The close coupled, compact motor pump units are equipped with ball bearing motors and stainless steel shafts and have service factors of 1.5 or greater. The pedestal mounted pumps are equipped with two single row ball bearings lubricated for long heavy duty service.

Mechanical rotary seals have carbon/ceramic seal faces with Buna N seal parts. Unlike the usual Jabsco pump, the Jabsco centrifugal pumps are *not* self-priming. Normal installation is flooded suction, that is, with the pump below the source liquid level so that liquid flows by gravity to the pump. The pump may be located above the liquid source, if a check valve or foot valve is installed at the beginning of the suction line; and, the pump and entire suction line is filled with liquid; and, all air is bled from the suction system. The pump will lift water approximately 15 feet on the suction side when primed and

will maintain its prime, as long as the foot or check valve functions as it should, without leaking. If the check valve leaks, the pump will not reprime, and must be manually primed in order to resume operation.

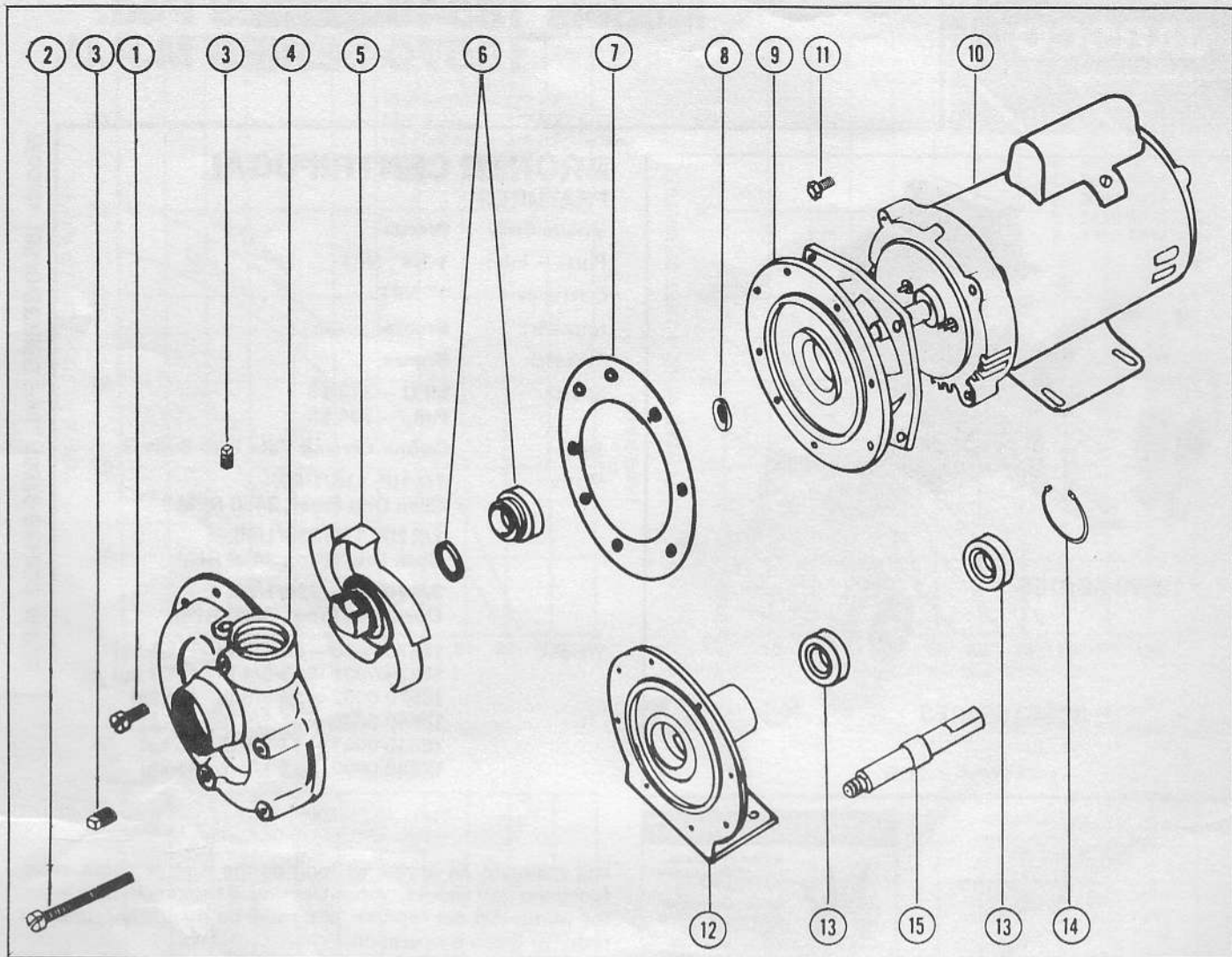
Published performance curves are based on pumping water, at 68°F. Referring to the performance curves for the pedestal mount pump, the maximum horsepower at a given speed is required at open discharge. As the head (pressure) against which the pump operates increases, the horsepower decreases.

Liquids of higher specific gravity (weight) than water require more power to generate the same performance available with water. The horsepower requirement increases directly as the increase in specific gravity. Thus, for a pedestal mount pump we would multiply the horsepower shown for water by the specific gravity of the liquid to be pumped, to determine the horsepower required to do the job.

It is not possible to increase the horsepower of a close coupled motor pump unit, therefore, to pump a liquid of higher specific gravity, with the centrifugal motor pumps, the capacity must be limited by restricting the discharge to stay within the horsepower available. In other words, the discharge must be throttled to the extent that the motor full load amperage rating, found on the motor label, is not exceeded.

In all installations, make sure the suction is not restricted. Do not use an elbow fitting in the pump intake port. Starved suction can result in cavitation which will damage the pump and cause performance deterioration.

Viscous or thick liquids are difficult to pump with a small centrifugal pump. Do not attempt to pump liquids with a viscosity exceeding 1500 SSU (SAE 30 WT OIL at 75°F) with a centrifugal pump. Consider, instead, the Jabsco flexible impeller pump or gear pump.



PARTS LIST

KEY	COMMON	QTY.	PART NUMBER	KEY	MOTOR PUMP UNIT	QTY.	PART NUMBER
1	Screw (Short)	5	91004-0020	9	Seal Hsg.	1	18575-0000
2	Screw (Long)	3	91004-0080	10	Motor – 1/3 HP 115/1/60	1	93004-2608
3	Pipe Plug	2	92650-0040		– 1/2 HP 115/230/1/60		93004-2609
4	Volute	1	18574-0000		– 3/4 HP 115/230/1/60		93004-2610
5	Impeller – 3.00 Dia.	1	18576-0000	11	Bolt (Motor)	4	91094-0070
	– 3.50 Dia.		18576-0001		SHIM (Not Shown)	1	18578-0000
	– 3.75 Dia.		18576-0002				
6	Seal Assembly – Buna	1	96080-0375		<b>PEDESTAL UNIT</b>		
7	Gasket	1	18577-0000	12	Pedestal	1	18544-0000
8	Slinger	1	3180-0000	13	Ball Bearing	2	92600-0460
				14	Retaining Ring	1	18719-0000
				15	Shaft	1	18579-0000

---

For technical advice or service please take your pump into your local pump service center.  
To order pump or parts or for pricing please go to the following links :

[Jabsco Pumps Home >>](#)

[Jabsco Pumps stock list >>](#)