



Model 18510-Series

“CENTRI PUPPY”

Bronze Centrifugal DC Motor/Pump Unit

FEATURES

Body & Impeller:	Bronze
Seal:	Mechanical Face Seal
Port Size:	3/4" NPT Internal
Motor:	Permanent Magnet, Fully Enclosed, Ignition Protected
Shaft:	Stainless Steel
Weight:	5 lb (2,3 kg) approx.

Motor meets USCG Electrical Standards (Title 33, Chapter I, Part 183; Subpart I) for IGNITION PROTECTION on gasoline powered vessels.



Model: 18510-Series

⚠ WARNING	Explosion hazard. Do not pump gasoline, solvents, thinners or other flammable liquids. To do so can cause an explosion resulting in injury or death.

⚠ WARNING	Explosion hazard. Do not operate with rivets removed from motor case. Explosion resulting in personal injury, death or property damage can occur. Case openings must be sealed to avoid explosion and maintain ignition protected rating.

VARIATIONS AVAILABLE

MODEL	DESCRIPTION
18510-0020	12 Vdc
18510-0021	24 Vdc

PERFORMANCE (Nominal 12 Vdc System)

AMPS	FT. OF WATER	GPM
8	2	15
7	6	11
6.3	10	5.5
5.3	13	Shutoff

APPLICATION

Suited for many general pumping applications where a flooded intake condition exists. This pump is NOT SELF-PRIMING. Typical uses include livewell filling and circulation, diesel fuel transfer (NOT GASOLINE), and other applications not requiring a self-priming pump.

INSTALLATION

The pump must be mounted in a dry location – the motor is not waterproof and must not be submerged. The unit can be mounted in any desired position. It is best to mount so that water dripping from loose port connection will not wet the motor. The pump head may be mounted at 180° on the motor to accommodate plumbing as needed. The pump may be mounted vertically on a thru-hull and seacock for applications requiring overboard water to be pumped aboard. A seacock must be used between the hull inlet fitting and pump on below-waterline installations.

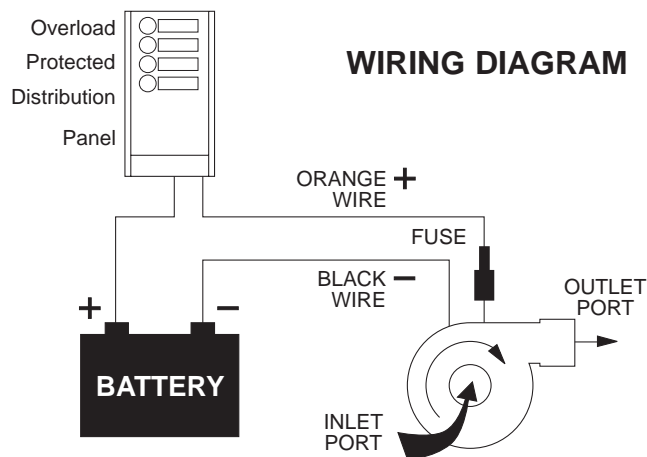
ELECTRICAL CONNECTIONS

⚠ WARNING



Explosion hazard. If pump is operated in an area containing flammable vapors, wire leads must be joined by insulated mechanical locking connectors. Loose or inadequate wire connections can spark resulting in an explosion. Property damage, injury or death can occur.

Connect black wire to negative (-) terminal of battery. The orange wire should run to a properly sized (see electrical specification) overload protected switch or circuit breaker, with a wire from switch or breaker to positive (+) terminal of battery. Electrical circuit must be independent of all other accessories. Use proper wire size as determined by wire table elsewhere on this sheet.



MINIMUM WIRE SIZES

CONNECTION LENGTH BETWEEN BATTERY AND MOTOR	12V	24V
1-10 ft. (3m)	#12	#16
11-20 ft. (6m)	#10	#16
21-30 ft. (9m)	# 8	#12

ELECTRICAL SPECIFICATIONS

	12V	24V
Amp. Draw (Approx.)	8	4
Fuse Size	10	5

PLUMBING CONNECTIONS

The intake and outlet ports have internal 3/4" pipe threads. Brass or plastic pipe fittings may be used to suit the installation. Plastic fittings that may be subject to cracking due to vibration should not be used below the waterline. TFE pipe joint tape or compound should be used if brass fittings are installed in pump. Hose may be used with common pipe adaptors installed in the pump ports.

OPERATION

The pump may be run dry for short periods of time. However, running without liquid allows heat to build up between seal faces, thus shortening seal life. The pump can run against a closed outlet such as encountered when using a garden hose type shut-off nozzle. Small particles of trash and debris will pass through the pump, though an intake strainer should be fitted if excessive problems are encountered with pump clogging.

⚠ CAUTION



Motor runs hot; about 180°F is a normal temperature. Prolonged contact during operation may cause a burn.

MAINTENANCE

Check all electrical connections periodically, particularly in salt water areas. Corrosion can cause loss of performance or non-operation in extreme cases. The motor should be protected with a corrosion inhibiting spray and any rust should be removed and the motor repainted.

For technical advice or service please take your pump into your local pump service center.
To order pump or parts or for pricing please go to the following links :

[Jabsco Pumps Home >>](#)

[Jabsco Pumps stock list >>](#)