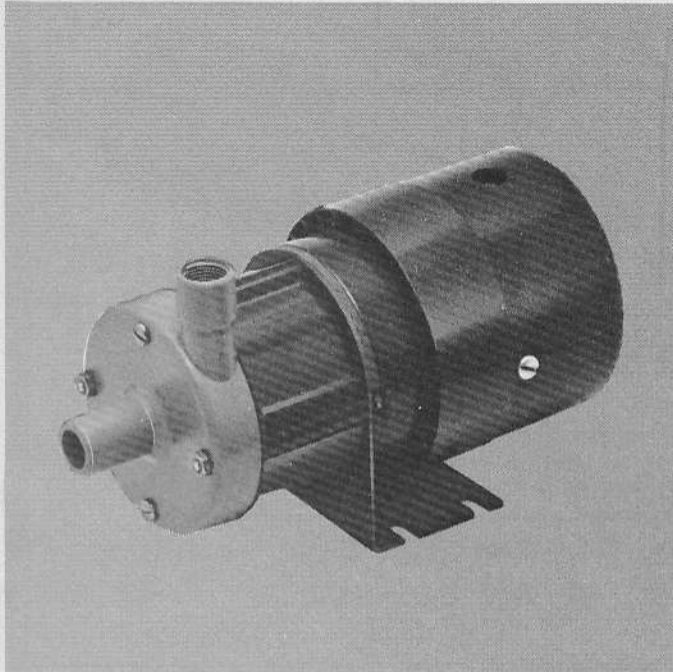


**JABSCO® PRODUCTS**

Centrifugal Series  
SEAL-LESS MAGNETIC DRIVE

**MODEL: 17870-0000**

Product Data



MODEL 17870-0001

**DESIGN FEATURES**

Pump Material:	<b>Plastic: CPVC and Epoxy</b>
Impeller Design:	<b>Enclosed</b>
Ceramic Magnet:	<b>Chemical Resistant Coating</b>
Suction Port Connection:	<b>3/4" Slip-On Hose</b>
Discharge Port Connection:	<b>3/8" NPT &amp; 3/4" Slip-On Hose</b>
Maximum Temperature:	<b>180° F</b>
Motor:	<b>115 V., A.C., 1/40 H.P. 3000 RPM/60 cycle thermal overload protection, open type enclosure, Class "A" insulation. Three prong grounded plug.</b>

**VARIATIONS AVAILABLE**

Model	Description	Part No.
17870-0001	<b>T.E.F.C. Motor Motor only</b>	93004-2430

**APPLICATION AND OPERATING INSTRUCTIONS**

Pump designed for transfers, circulation, filtration and drainage. The magnetic drive centrifugal pump does not need any seal. It is a leak proof design. This all plastic pump does not have any metal part in contact with the fluid. Capable of handling photo chemicals, corrosive fluids, plating solutions, lab solutions and many others.

1. **INSTALLATION** — Pump is a *non* self-priming centrifugal design. Flooded suction installation is recommended. Rotation is clockwise (viewed from motor end).
2. **PRIMING** — Pump must be primed before starting. Do not run dry. Damage will result.
3. **CAUTION** — Use only plastic fittings in discharge port.
4. **LOCATION** — Pump inlet should be located below liquid surface. Keep suction and discharge

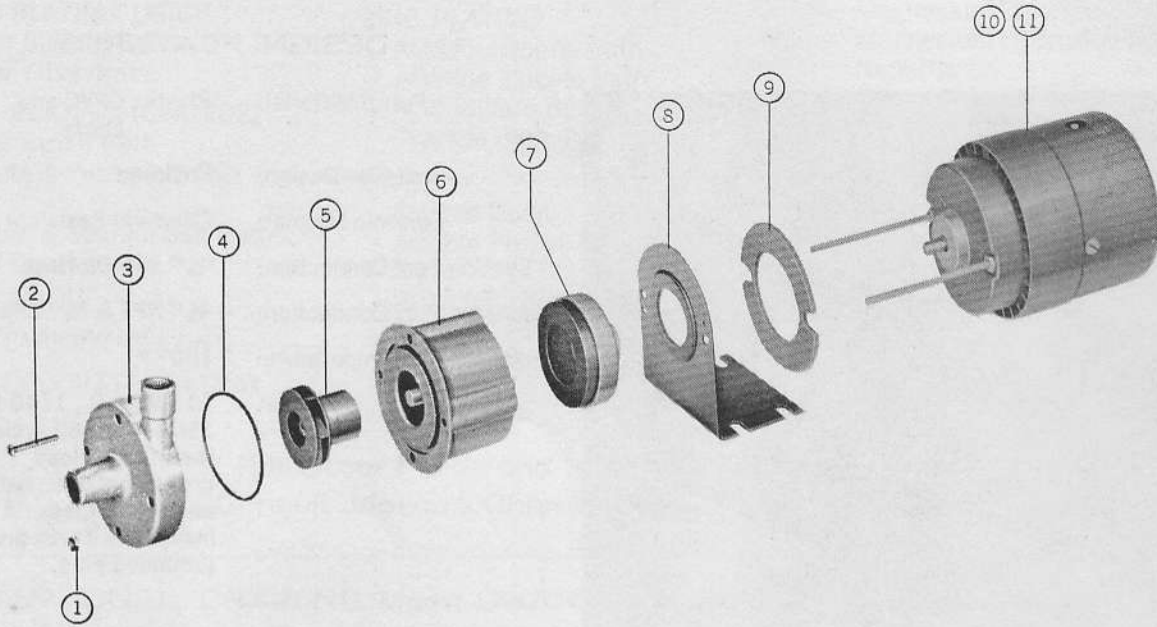
line as free of elbows and valves as practical to obtain maximum performance.

5. **SUCTION AND DISCHARGE LINES** — Both should be supported independent of pump. Suction line should be air tight. Discharge lines should be designed with minimum number of fittings and bends to reduce head loss from friction.
6. **PRIMING**—If there is some suction lift, a flap type foot valve can be used to facilitate priming.

**JABSCO PRODUCTS** **ITT**

Form 43000-0250 Rev. 2-77

EXPLODED VIEW



PARTS LIST

Key	DESCRIPTION	Qty. Req.	Part No.
1	Nut, Hex	4	94000-0050
2	Screw	2	91014-0050
3	Pump Body	1	17867-0000
4	"O" Ring	1	92000-0990
5	Impeller Assy.	1	17874-0000
6	Magnet Housing	1	17876-0000
7	Drive Magnet Assy.	1	17875-0000
8	Mounting Bracket	1	17864-0000
9	Spacer	1	17868-0000
10	Motor-Open Enclosure	1	93004-2450
11	TEFC Motor	1	93004-2430

---

For technical advice or service please take your pump into your local pump service center.  
To order pump or parts or for pricing please go to the following links :

[Jabsco Pumps Home >>](#)

[Jabsco Pumps stock list >>](#)