



## Model 17800-Series

### PORTA QUICK OIL CHANGER

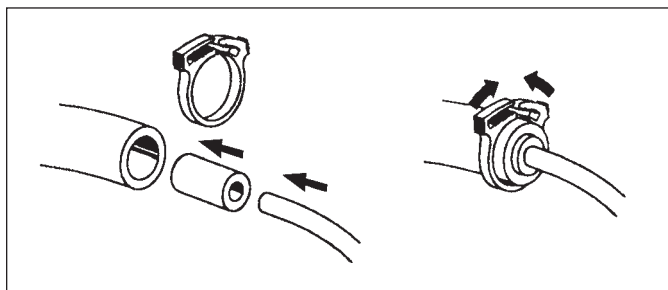
#### FEATURES

- Pump Body:** Bronze construction  
**Impeller:** Nitrile (oil resistant)  
**Shaft Seal:** Lip Type  
**Motor:** Reversible with integral reversing switch  
**Container:** Plastic with 14 quart capacity  
**Power Cord:** 8 feet with alligator clips  
**Suction Hose:** 4 feet of neoprene hose with 40 inch Teflon\* dipstick probe  
**Dimensions:** 13-1/2" (343mm) diameter, 13-5/8" (354mm) high  
**Weight:** 9 lb (4.1 kg)

#### OPERATING INSTRUCTIONS

1. Run the engine approximately 5 minutes to heat oil (minimum oil temperature 140°F; maximum 185°F), then shut off engine prior to oil removal.
2. Push the 1/2" suction hose onto the pump inlet hose fitting. Position one hose clamp on the end and tighten to secure the hose to the hose barb.
3. If using the 1/4" dipstick probe (instead of the Female Garden Hose Connector), insert the probe into the 1/4" x 1/2" (approximately 1" long) rubber bushing until the end of the probe and the bushing are flush with each other. Slide the hose clamp over the end of the 1/2" hose and position the end of the plastic probe, with bushing attached, in the end of the suction hose. Slide the hose clamp to a position where it will be approximately centered over the probe/ hose bushing, and with a pair of pliers, squeeze it together very tightly to affect a positive airtight seal.

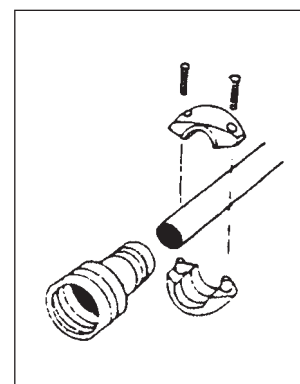
If using the Female Garden Hose Fitting, install it onto the end of the 1/2" suction hose by inserting the



Model 17800-Series

1/2" barb fitting into the hose and secure it by screwing together the two halves of the plastic clamp on the hose at the position of the barb.

4. Clamp the power cord alligator clips (red to positive and black to negative) to the terminals of an appropriate voltage battery.



**NOTICE:** Failure to use proper size fuse in power cord fuse holder may cause motor damage and void warranty.

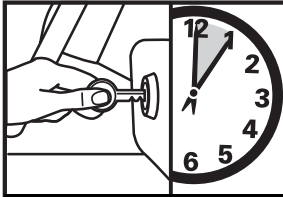
Model Number	Voltage	Amp Draw	Fuse Size
17800-2000	12	7	10
17800-2090**	12	7	10
17800-2024**	24	3-1/2	5

\*\* Models 17800-2090 and 17800-2024 conform with EN50081-2 for suppression of electro-magnetic interference and are CE marked.

**WARNING** Explosion hazard. Motor switch must be in "OFF" position when connecting and disconnecting alligator clips to battery terminal and ground. The switch in an "ON" position can cause an electrical spark which can result in explosion. Injury or death can occur.

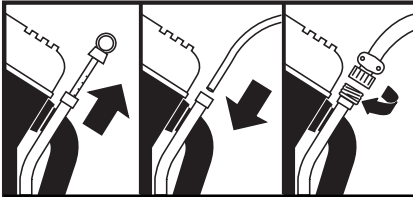
**WARNING** Explosion hazard. Take necessary precautions to rid area around battery of potentially explosive gases. Continue ventilation during oil changing procedure. Failure to do so can result in explosion. Injury or death can occur.

## Four simple steps for fast, clean oil changes



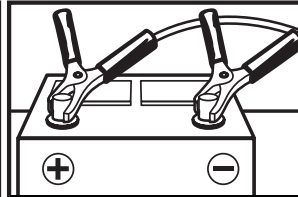
### STEP 1

Start engine and run for 5 minutes to heat the oil.



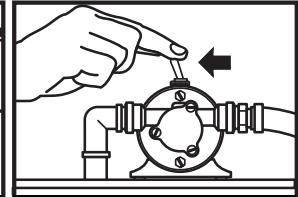
### STEP 2

Remove the dipstick and insert the probe tube or attach the garden hose adaptor.



### STEP 3

Attach the power cord clips to the engine's battery.  
**Orange = Positive**  
**Black = Negative**



### STEP 4

Flip the pump motor switch to drain the crankcase.

5. If using the 1/4" dipstick probe, insert it into the dipstick tube until it hits the bottom of the pan. If it is not obvious when the probe hits the bottom of the pan, it may be helpful to measure the distance from the top of the dipstick tube to the bottom of the pan and mark this length on the probe with a piece of tape. Once the probe has hit the bottom of the pan, pull it back up about 1/8" - 1/4" and hold the probe in that position or secure it with some tape during the oil removal process.

NOTICE: Do not push the dipstick probe too far into the engine or it may get caught on internal components and cause a problem when removing.

If using the Female Garden Hose Fitting, simply screw it onto the Male Garden Hose Thread, when provided, on the top of the dipstick tube until it is tight enough to ensure an airtight seal. It is important, when using this method, that the hose washer in the garden hose fitting is pliable and in good serviceable condition to ensure there is no air leak at this joint, which will cause the pump to not prime.

#### WARNING



**Burn Hazard. Heated oil can cause burns. Wear protective gloves, clothing and safety glasses during the oil change process. Failure to do so may result in personal injury.**

6. The pump is reversible so it can pump oil in either direction. The switch (at rear of motor) has two "on" positions when it is moved to either side of center with the center position being the "off" position. To remove oil from the engine, move the switch in the direction of required flow. If using the 1/4" probe, watch for oil flowing through it. If oil does not appear in about 10 seconds, check the probe for possible sediment blockage and remove if present.

NOTICE: If the motor does not turn when first switched on, switch off the pump and loosen each of the end cover screws a couple of turns. Switch the pump on until the motor turns and then switch it off again. Retighten the end cover screws and start the oil removal process again.

7. The motor will overspeed when the oil has been pumped out of the engine. Switch off the pump immediately to avoid impeller damage. Do not leave the pump unattended while pumping oil from the engine. Normal 6 quart pump-out takes less than 3 minutes.
8. After all the oil has been removed from the engine, disconnect the alligator clips from the battery and carefully remove the dipstick probe from the dipstick tube.
9. To empty the container with the pump when appropriate electrical power is nearby, remove 1/4" probe from the 48" hose and insert hose end in an approved receptacle. **Do not attempt to discharge oil through the 1/4" probe.** Connect the power cord to the proper power supply and switch on the pump by moving the switch toggle in the direction of desired flow. If proper electrical power is not available, pull up the retractable pour spout and carefully pour oil into a suitable receptacle.

NOTICE: Always recycle used oil in compliance with federal and local legislation. Handle petroleum products in an environmentally responsible manner.

---

For technical advice or service please take your pump into your local pump service center.  
To order pump or parts or for pricing please go to the following links :

[Jabsco Pumps Home >>](#)

[Jabsco Pumps stock list >>](#)