

JABSCO® PUMPS

MODEL 17680-0001

FEATURES

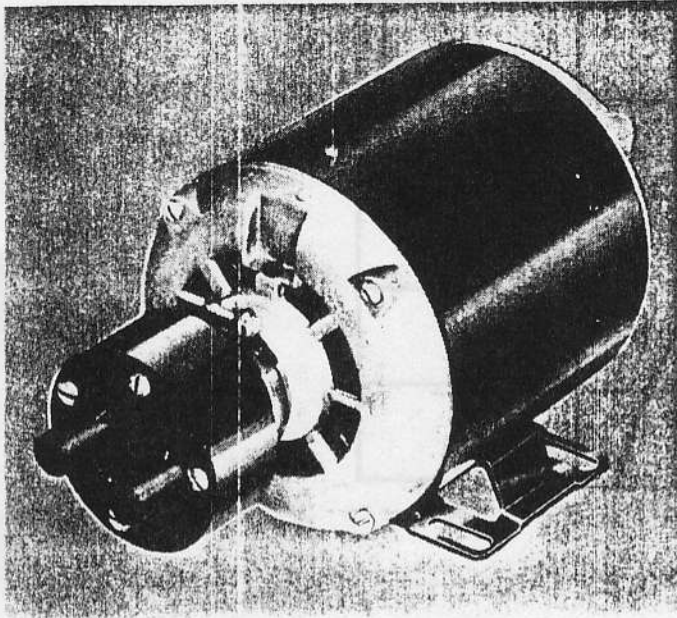
- Self-Priming
- Silent Operation
- Corrosion Resistant Materials
- Simple Low Cost Service
- Flow 4 GPM at 5 Feet Head

PUMP

Phenolic plastic with stainless steel wearplates molded in, carbon ceramic face seal, neoprene impeller with bronze motor shaft sleeve, port connections for 5/8 in. slip-on hose.

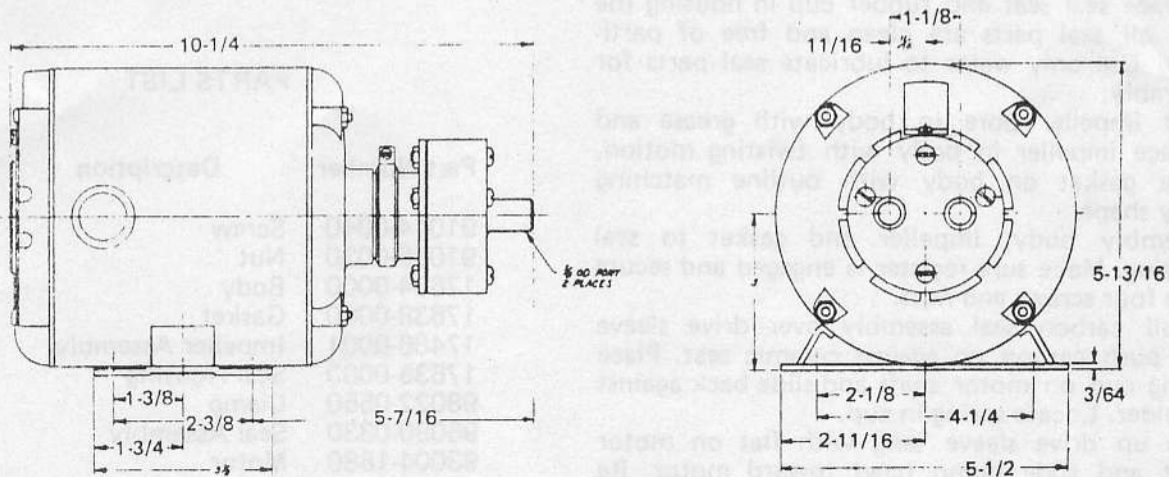
MOTOR

115 volt, A.C., single phase, 60 cycle, 1/4 HP, continuous duty, thermal overload protection.



MODEL 17680-0001

DIMENSIONAL DRAWING



DISASSEMBLY

1. Remove four body screws and nuts, pull body off seal housing and impeller.
2. Remove impeller and gasket.
3. Remove bearing housing clamp and slide seal housing assembly off motor shaft.
4. Replace all worn or damaged parts.

JABSCO PRODUCTS **ITT**

Form 43000-0023 Rev. 9/79

For technical advice or service please take your pump into your local pump service center.
To order pump or parts or for pricing please go to the following links :

[Jabsco Pumps Home >>](#)

[Jabsco Pumps stock list >>](#)