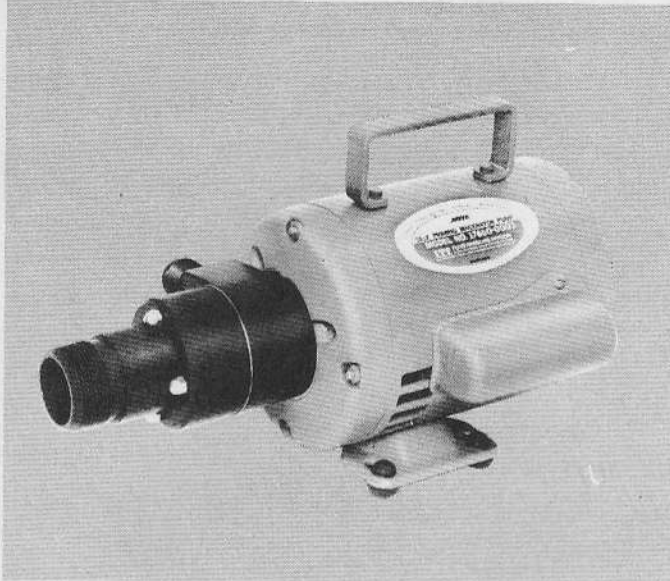


JABSCO® PUMPS

MODELS: 17460-0003  
17460-0013

115 Volt A.C.

Product Data



17460-0003

DESIGN FEATURES

- Pump: **Self-Priming Flexible Impeller with Stainless Steel Wearplates**
- Impeller: **JabSCO Nitrile Compound**
- Macerator: **Stainless Steel Cutter Plate reduces particle size to 1/8" maximum**
- Seal: **Lip Type**
- Ports: **Model 17460-0003**  
Inlet — 1 1/2" External Pipe Thread  
Outlet — 3/4" Garden Hose Thread  
**Model 17460-0013**  
Inlet — 3" Slip-on Hose  
Outlet — 3/4" Garden Hose Thread
- Motor: **115 Volt A.C., Single Phase, 60 Cycle, Thermal Overload Protection**
- Weight: **17 lbs. approx.**



17460-0013

APPLICATION INFORMATION

The 17460 series A.C. JABSCO macerator pump unit is the ideal answer to waste handling problems for marine, recreational vehicle and domestic uses. The macerator section grinds waste down to a particle size of 1/8" maximum so it can be pumped easily through a garden hose discharge line. The pump section is self-priming, permitting the unit to be mounted above or below the tank in a convenient location.

Empties most recirculating toilets in just one minute; empties a 30 gallon holding tank in only 3 minutes!

The 17460 series waste pump will macerate and pump all waste and tissue normally found in marine and recreational vehicle waste systems. It will NOT handle hard solid objects, sanitary napkins or rags.

MODELS: 17460-0003, 17460-0013

JABSCO PRODUCTS **ITT**

Form 43000-0186 Rev. 1-76

## INSTALLATION INSTRUCTIONS

**Locating the Pump:** The JABSCO A.C. macerator pump unit is self-priming to an eight foot lift and may be located at any convenient point in the waste discharge system.

**Plumbing Connections:** For model 17460-0003 use minimum 1½" I.D. non-collapsible suction hose. Two inch I.D. hose may be slipped over the inlet and clamped on the smooth area of the port. For model 17460-0013 use 3 inch I.D. non-collapsible hose and clamp on outside diameter of macerator housing.

All suction connections must be airtight and free of sharp bends or restrictions. Use minimum ¾" I.D. garden or contractors hose for discharge.

Be sure adequate voltage and current capacity is available in electrical installation.

## OPERATING INSTRUCTIONS

**Operation:** The JABSCO macerator pump unit has been designed to handle waste, toilet tissue, and Kleenex. It will also handle solids such as filter tip cigarettes, cigars

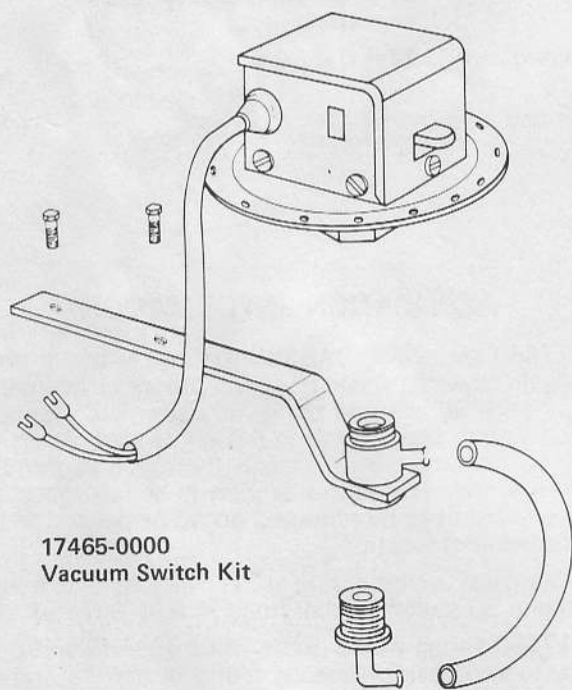
and chunks of soft fruits or vegetables less than 1" in size. It will NOT pump solid objects like peach pits, rags, or sanitary napkins. The holding tank and pump should be flushed with several gallons of water after each pumpout. Do NOT run pump dry.

HEAD CAPACITY TABLE

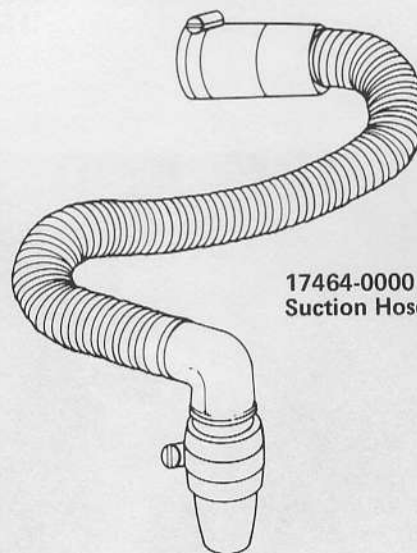
Head Feet	G.P.M.
5	13.0
10	12.0
20	10.5
30	8.5
40	6.0

Flow rates are for water, capacity may be slightly reduced when handling heavy solids. Full load Amps — 7.2.

## AVAILABLE ACCESSORY EQUIPMENT



17465-0000  
Vacuum Switch Kit



17464-0000  
Suction Hose Kit

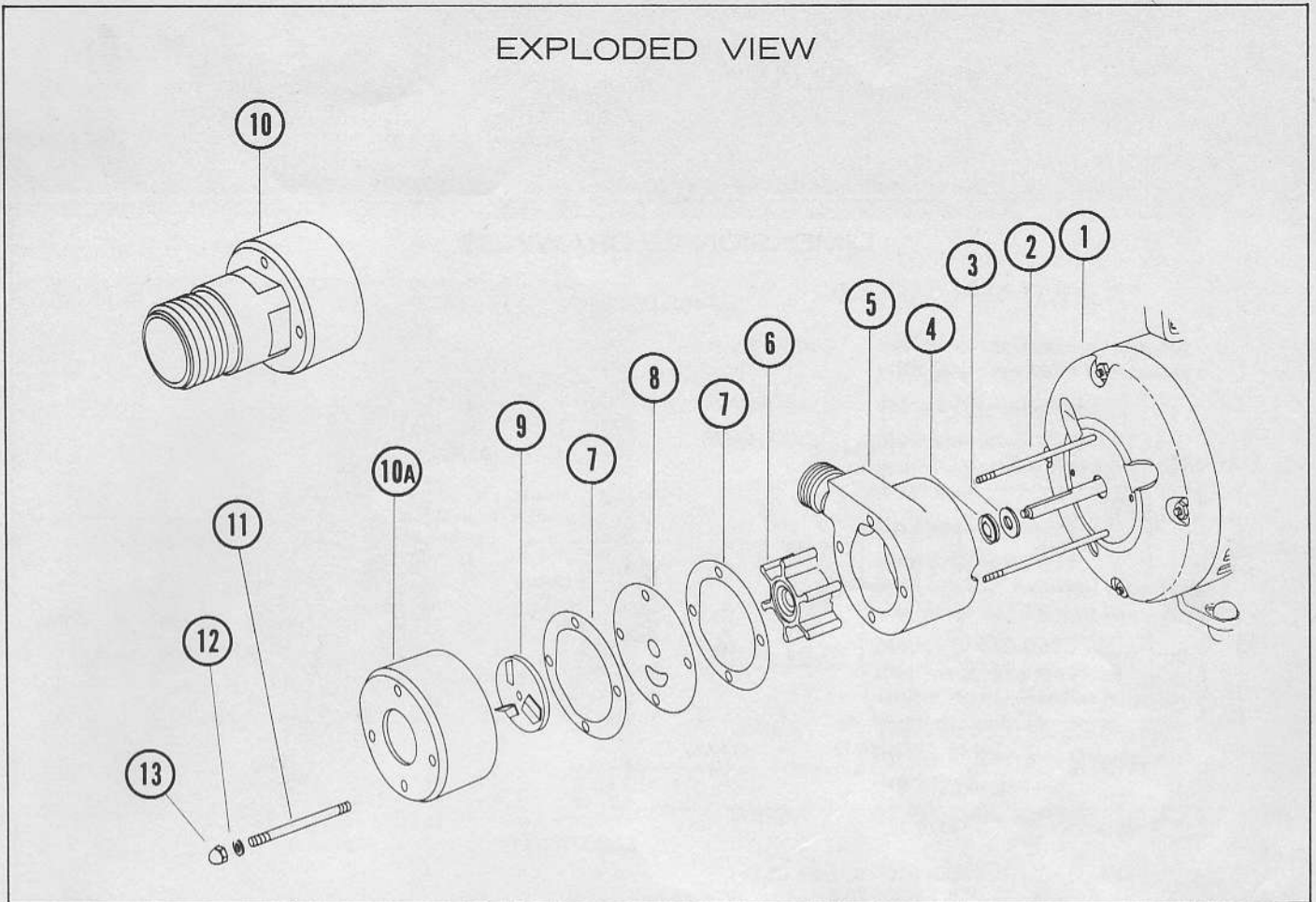
### VACUUM SWITCH KIT

Provides convenient starting switch and automatic shutoff for 17460-0003 Macerator Pump Unit. Eliminates need to "stand by" while pump is running, vacuum switch automatically shuts off motor when tank has been pumped dry. Complete kit includes switch, mounting bracket and connections.

### SUCTION HOSE KIT

Make dockside pumpouts even easier with this accessory for the Jabsco AC Macerator/Pump Unit, 17460-0003. Includes 10' of heavy duty suction hose, hose clamps, and special right angle rubber nozzle with built-in check valve to fit standard 1½" deck fittings.

EXPLODED VIEW



PARTS LIST

Key	Description	Part Number	Qty. Req.
1	Motor	93004-1840	1
2	Stud	17288-0000	2
3	Slinger	6342-0000	1
4	Seal	92700-0910	1
5	Body	17088-0000	1
6	Impeller	7273-0001	1
7	Gasket	17269-0000	2
8	Wearplate	17268-0000	1
9	Cutter Plate	17266-0000	1
10	Macerator Housing	17263-0000	1
10a	Macerator Housing	17263-0010	1
11	Stud	17288-0010	2
12	Fiber Washer	91613-0140	4
13	Acorn Nut	91085-0340	4

SERVICE INSTRUCTIONS

1. Remove acorn nuts and inlet housing.
2. Unscrew cutter plate from shaft by turning counterclockwise facing cutter blades. (Hold motor shaft behind plate to prevent turning.)
3. Remove gaskets, wearplate and slide pump assembly off mounting studs.
4. Replace seal, impeller gaskets or other parts as necessary. To remove seal, push out evenly with screwdriver from impeller bore side of body. To reassemble seal, coat outside of metal case with Permatex or similar sealant and press into body with lip facing impeller. A light coating of grease should be applied to impeller bore and wearplate to aid initial dry startup.
5. Reassemble body, impeller, gaskets, wearplate, cutter plate, suction housing and acorn nuts.

---

For technical advice or service please take your pump into your local pump service center.  
To order pump or parts or for pricing please go to the following links :

[Jabsco Pumps Home >>](#)

[Jabsco Pumps stock list >>](#)