

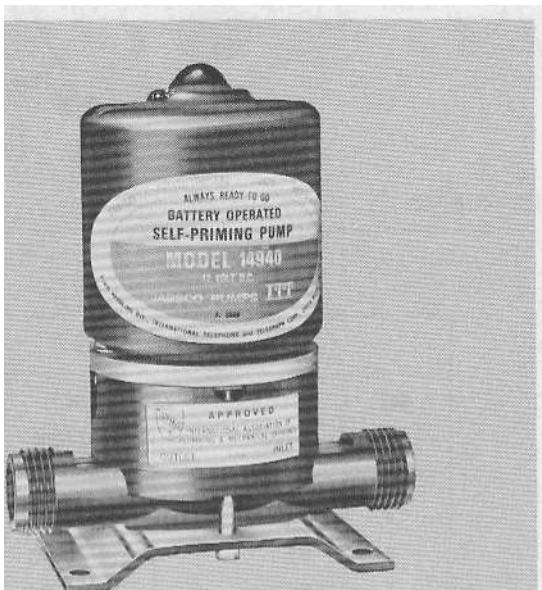
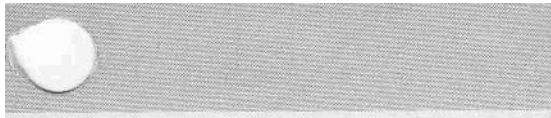
JABSCO® PUMPS

Self-Priming Pumps

MODEL: 14940-0001

12V D.C.

Product Data



DESIGN FEATURES

- Body: Phenolic Plastic
- Impeller: Jabsco Nitrile Compound
- Seal: Lip Type
- Ports: $\frac{3}{8}$ " Pipe Thread Internal
 $\frac{3}{4}$ " Garden Hose External
- Motor: 12 Volt D.C. with Stainless Steel Shaft.
- Weight: 3 lbs. 11,4 kg.!
- Approx. Flow: 1.25 GPM 14,73 l/min.!
- Amp Draw: 3.3 Amp

Model 14940-0001 12 VOLT DC

INSTALLATION AND OPERATING INSTRUCTIONS

1. Locating Pump

Not necessary to mount pump below tank. The Model 14940-0001 Jabsco Pump is self-priming, may be installed at any point between tank and faucet. Will not lose its prime or air lock. Mounting grommets and screws have been included for your convenience. CAUTION! Not submersible. Mount high and dry.

2. Plumbing Connections

Use only plastic external port fittings or standard garden hose connections, minimum $\frac{3}{8}$ " tube size for inlet and outlet. Be sure all connections are airtight and your tank is vented.

3. Wiring Hookup

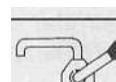
Use standard #12 wire for hookup and a 4-amp fuse for overload protection. For 12 volt D.C. operation only.

4. CAUTION!

Do not run pump dry for more than a few seconds,

The Model 14940-0001 can be installed to pump thru most rocker type pumps, eliminating the need for an additional fixture. See diagram showing typical installation.

COMBINATION INSTALLATION WITH ROCKER TYPE PUMP

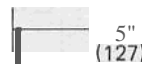


CHECK VALVE

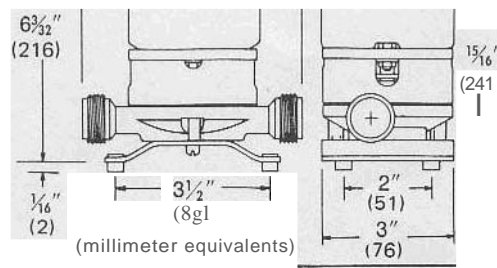


© 1968 JABSCO

MODEL 14940-0001

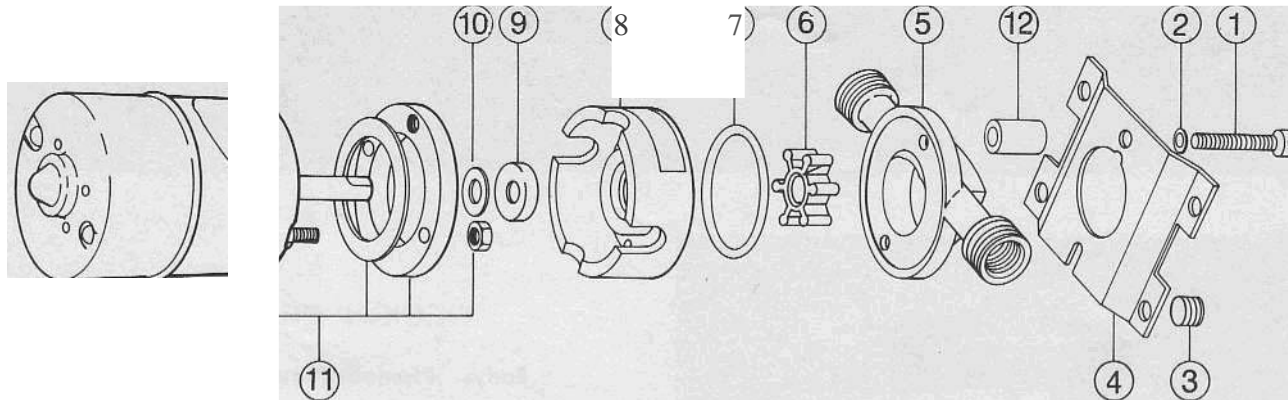


DIMENSIONAL DRAWING



JABSCO PRODUCTS

Form 43000-0216 Rev. 7-76



EXPLODED VIEW

SERVICE INSTRUCTIONS

Normal service may be easily performed by using the parts in service kit 90158-0003.

- Remove body screws (Key 1) and slide pump head off motor assembly.
- Replace impeller, seat and "O" Ring. Use pipe compound or similar sealant around outside diameter of seal when replacing in seal housing.
- Reassemble on motor. Tighten body screws evenly to avoid cocking base plate on body.
- Note: Do not loosen nuts holding adaptor ring to motor (Key 11). Replacement motors are supplied as an assembly with adaptors installed at the factory.

For replacement parts or additional service help see your local JABSCO dealer.

PARTS LIST

Key	Description	Part No.	Qty. Req.
1	Screw	91003-0200	2
2	Lock Washer	91602-0020	2
3	Grommet	92900-0120	4
4	Base	1494S-0000	1
5	Body	14944-0000	1
6	"Impeller	1414-0003	1
7	"O" Ring	92000-0750	1
8	Seal Housing	12314-0010	1
9	*Seal	92700-0910	1
10	Slinger	6342-0000	1
11	Motor Assembly	12376-0000	1
12	Stand-Off	14936-0000	2
-	Service Kit [not shown]	90158-0003	1

* Parts supplied in service kit

APPLICATION INFORMATION

The Model 14940-0001 is designed for single fixture installations with push button or foot switch operation. Not suitable for use with check valve and pressure switch control.

JABSCO PRODUCTS ITT

Marine and Recreation Components Division
International Telephone and Telegraph Corporation
1485 Dale Way, Costa Mesa, California 92626
Telephone (714) 545-8251

For technical advice or service please take your pump into your local pump service center.
To order pump or parts or for pricing please go to the following links :

[Jabsco Pumps Home >>](#)

[Jabsco Pumps stock list >>](#)