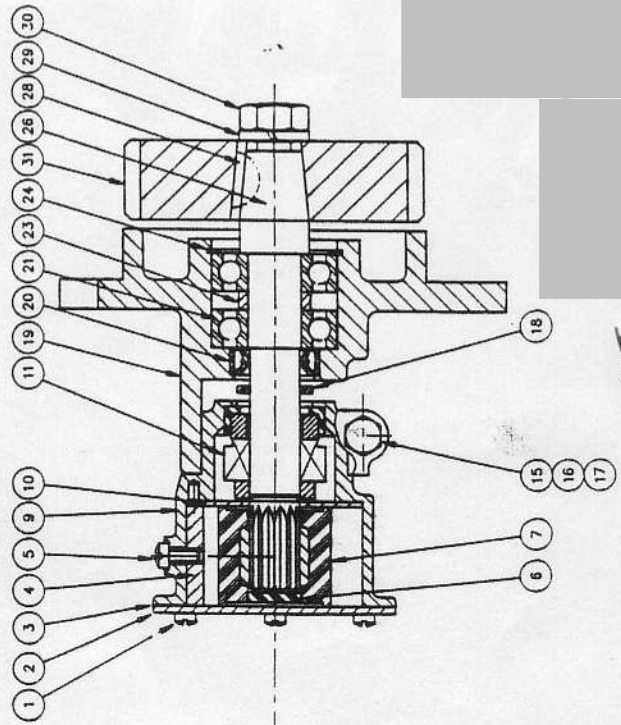
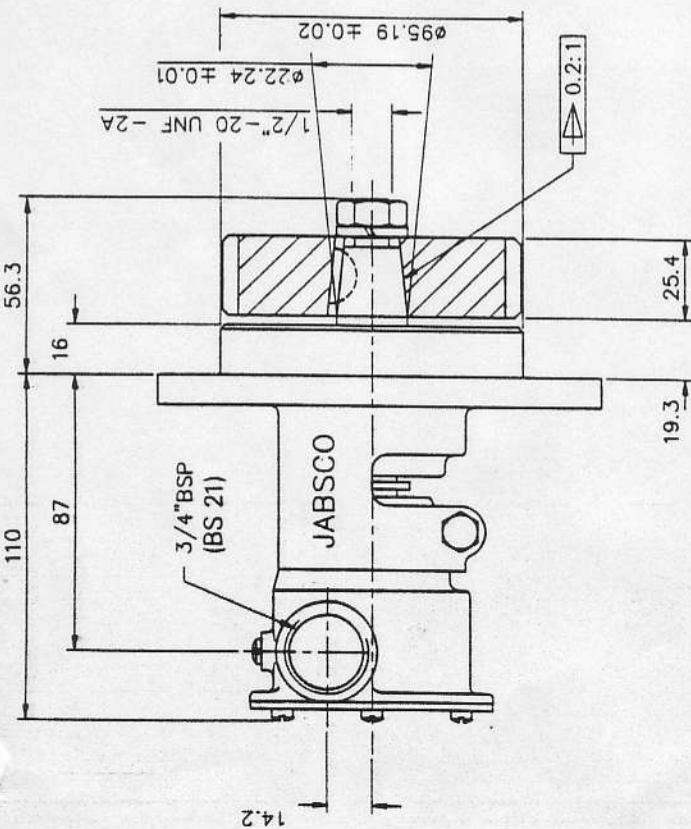


KEY	DESCRIPTION	QTY	PART NUMBER	
			MODEL 10950-2401	MODEL 10950-2601
1	END COVER SCREW	6	SP1002-02	SP1002-02
2	END COVER	1	3992	3992
3	GASKET	1	3298	3298
4	CAM	1	490	490
5	CAM SCREW	1	SP1003-01	SP1003-01
6	SPLINE PLUG	1	4345	4345
7	IMPELLER	1	1210-0001	1210-0001
9	BODY	1	10554-200	10554-200
10	WEARPLATE	1	7883	7883
11	MECH. SEAL ASSY	1	22617-0010	22617-0010
15	NUT	1	SP1105-03	SP1105-03
16	BOLT	1	SP1095-09	SP1095-09
17	WASHER	1	SP1602-06	SP1602-06
18	SLINGER	1	3180	3180
19	BEARING HOUSING	1	10959-0001	10959-0001
20	LIP SEAL	1	SP2701-21	SP2701-21
21	BEARING	2	SP2601-01	SP2601-01
23	BEARING SPACER	1	22958-0000	22958-0000
24	RETAINING RING (INT)	1	SP1700-250	SP1700-250
26	SHAFT	1	23377-0000	23377-0000
28	KEY	1	SP1401-10	SP1401-10
29	WASHER	1	11085	11085
30	NUT	1	11086	11086
31	GEAR	1	1789506*	1789506*
	FORD P. No.* DORSET		6107133*	6107133*
	Not JABSCO fitted DOVER			23146-0000



Service Kit SK239 consists of: Impeller, spline plug, seal assembly, gasket, end cover screws. Mech. Seal Assembly Key 11 consists of: retaining ring SP1700-62, spacer, carbon seal (rotary), ceramic seat (stationary), gasket.