

Cast Iron, Ni-Resist or Silver Series XL™

Series 4101 4-Roller Includes Models: 4101C-A, 4101N-A, 4101XL-A, 4101C-AD, 4101C-AH, 4101N-AD, 4101N-AH, 4101XL-AD and 4001XL-AH



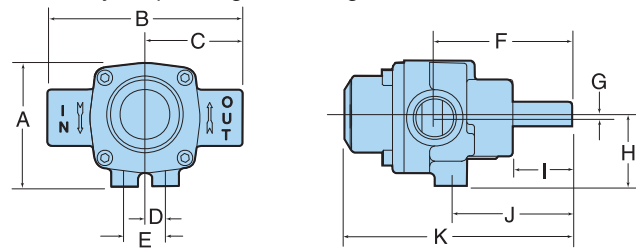
Features

- Max. flow: 7.2 gpm/27.3 lpm at 2600 rpm
- Max. pressure: continuous 100 psi/6.9 bar; intermittent 150 psi/10.3 bar
- Max. rated speed: 2600 rpm
- Shaft size: 5/8" solid
- Port size: 3/4" NPT
- Max. fluid temperature: 140°F/60°C
- Housing: Cast Iron, Ni-Resist or Silvercast
- Pump shaft rotation: CW (CCW available)*
- Weight: 5 lbs./2.3 kg
- Rollers: Super Rollers standard (Poly, Teflon and Buna-N available)
- Shaft Seals: Viton standard (Buna-N available)
- Available shaft adapters: See page 67
- Special torque arm and base kit is available for gas engines
- Rotor: Cast Iron, Ni-Resist or Silvercast
- Standard rotation directly couples to gasoline engines

Dimensions

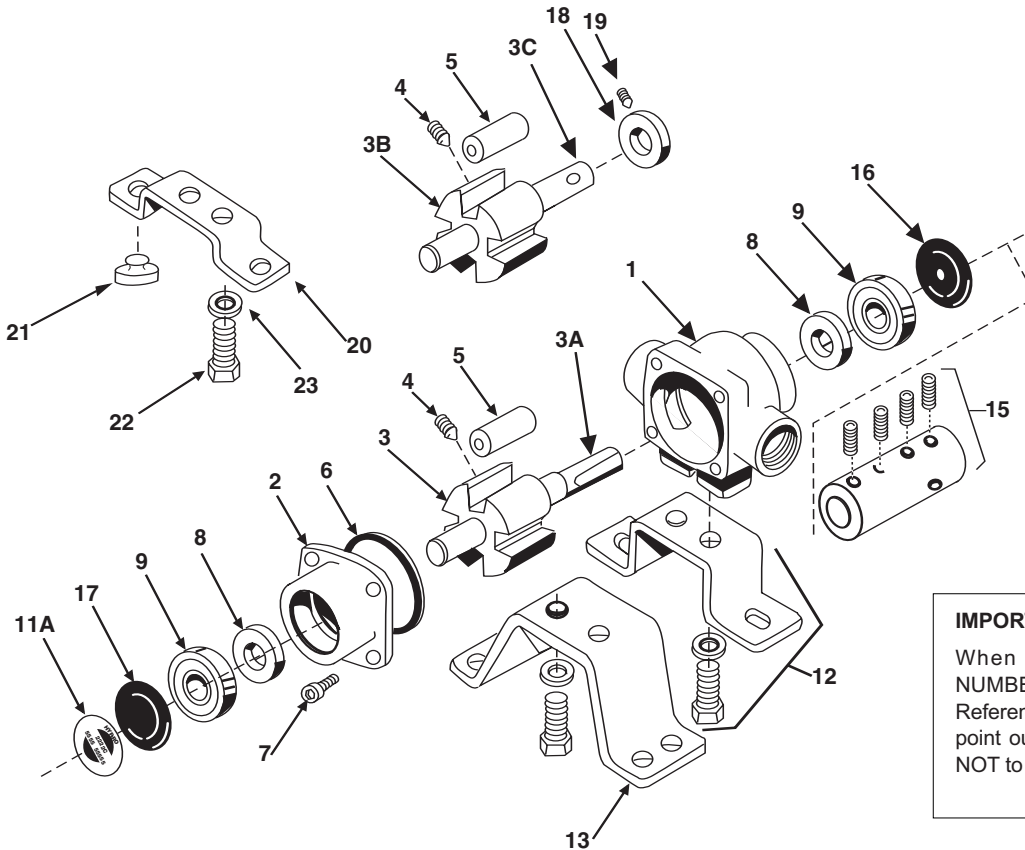
	Standard	Metric
A.	3"	76 mm
B.	4 3/4"	121 mm
C.	2 3/8"	60 mm
D.	1/2"	13 mm
E.	1"	25 mm
F.	3 3/8"	86 mm
G.	3/32"	2 mm
H.	1 3/4"	44 mm
I.	1 15/32"	37 mm
J.	3"	76 mm
K.	5 9/16"	141 mm

Pressure in PSI and BAR	@1800 RPM		@2200 RPM		@2600 RPM	
	GPM LPM	HP	GPM LPM	HP	GPM LPM	HP
0 PSI	5.0	.11	6.2	.14	7.2	.16
0 BAR	18.9	.11	23.5	.14	27.3	.16
25 PSI	4.8	.21	5.8	.27	6.9	.30
1.7 BAR	18.1	.21	21.9	.27	26.1	.30
50 PSI	4.5	.34	5.6	.40	6.6	.46
3.4 BAR	17.0	.34	21.2	.40	25.0	.46
75 PSI	4.2	.45	5.4	.55	6.4	.62
5.2 BAR	15.9	.45	20.4	.55	24.2	.62
100 PSI	3.9	.56	5.0	.68	6.0	.76
6.9 BAR	14.8	.56	18.9	.68	22.7	.76
125 PSI	3.7	.68	4.7	.82	5.7	.92
8.6 BAR	14.0	.68	17.8	.82	21.6	.92
150 PSI	3.4	.78	4.4	.96	5.4	1.08
10.3 BAR	12.9	.78	16.6	.96	20.4	1.08



* CCW (counterclockwise) and CW (clockwise) are determined when looking at the shaft end.

Series 4000



IMPORTANT:
When ordering parts, give PART NUMBER and PART DESCRIPTION. Reference Numbers are used ONLY to point out parts in the drawing and are NOT to be used as ordering numbers.

Ref. No.	Qty. Req'd.	Part Number	Description
1	1	0100-4001C	Body (Cast Iron) with Std. Seal (4001)
1	1	0100-4101C	Body (Cast Iron) with Std. Seal (4101)
1	1	0100-4001N	Body (Ni-Resist) with Std. Seal (4001)
1	1	0100-4101N	Body (Ni-Resist) with Std. Seal (4101)
1	1	0100-4001X	Body(SilverCast) with Std. Seal (4001)
1	1	0100-4101X	Body(SilverCast) with Std. Seal (4101)
2	1	0200-4001C	Endplate (Cast Iron) with Std. Seal (4001)
2	1	0200-4101C	Endplate (Cast Iron) with Std. Seal (4101)
2	1	0200-4001N	Endplate (Ni-Resist) with Std. Seal (4001)
2	1	0200-4101N	Endplate (Ni-Resist) with Std. Seal (4101)
2	1	0200-4001X	Endplate (SilverCast) with Std. Seal (4001)
2	1	0200-4101X	Endplate (SilverCast) with Std. Seal (4101)
3	1	0300-4001C	Rotor (Cast Iron) & Shaft Assembly (4001)
3	1	0300-4101C	Rotor (Cast Iron) & Shaft Assembly (4101)
3	1	0300-4001N	Rotor (Ni-Resist) & Shaft Assembly (4001)
3	1	0300-4101N	Rotor (Ni-Resist) & Shaft Assembly (4101)
3	1	0300-4001X	Rotor (SilverCast) & Shaft Assembly (4001)
3	1	0300-4101X	Rotor (SilverCast) & Shaft Assembly (4101)
3A	1	0500-6600	Shaft Only
3B	1	0301-4001N	Rotor (Ni-Resist) & Shaft Assembly (4001)
3B	1	0301-4101N	Rotor (Ni-Resist) & Shaft Assembly (4101)
3B	1	0301-4101X	Rotor (SilverCast) & Shaft Assembly (4101)
3B	1	0301-4001X	Rotor (SilverCast) & Shaft Assembly (4001)
3C	1	0550-4001	Shaft Only (Hollow Shaft)
4	1	2230-0002	Rotor Set Screw
4	1	2230-0016	Rotor Set Screw (SilverCast Only)
5	4	1005-0002	Super Rollers (Std.)
5	4	1002-0002	Polypropylene Rollers (Optional)
5	4	1001-0002	Buna-N Rollers (Optional)
5	4	1055-0002	Teflon Rollers (Optional)

Ref. No.	Qty. Req'd.	Part Number	Description
6	1	1720-0104	O-Ring Gasket for Endplate
7	4	2220-0018	Endplate Screw
8	2	2107-0002	Viton Seal (Std.)
8	2	2102-0001	Buna-N Seal (Optional)
9	2	2000-0010	Ball Bearing (High temp. grease)
11A	1		Name Plate (Specify pump model #)
12	1	3420-0024	Base Kit — Includes: 1 Base, 2 Bolts, and 2 Lock washers for mounting pump to electric motors with 3-1/2" shaft centerline
13	1	3420-0025	Base Kit — Includes: 1 Base, 2 Bolts, and 2 Lock Washers for mounting pump to electric motors/gas engines with 4-3/16" shaft centerlines
15	1 kit	1320-0016	Adapter with 4 set screws for gas engine mount (5/8" x 5/8")
15	1 kit	1320-0015	Adapter (5/8" x 3/4")
16	1	2300-0023	Shaft Bearing Cover
17	1	2300-0021	Bearing Cover
18	1	1420-0001	Locking Collar
19	1	2230-0001	Set Screw
20	1	1510-0054	Base
21	2	1450-0003	Bumper
22	2	2210-0003	Bolt
23	2	2260-0002	Lock Washer

Repair Parts Kit No. 3430-0390 Consists of: (4) Ref. 5 Super Rollers, (1) Ref. 6 O-Ring Gasket, (2) Ref. 8 Viton Seals.

Repair Parts Kit No. 3430-0158 Consists of: (4) Ref. 5 Polypropylene Rollers, (1) Ref. 6 O-Ring Gasket, (2) Ref. 8 Viton Seals.