



Water is Our Business®

293 Wright Street, Delavan, WI 53115

Phone: 800-365-6832

Fax: 800-526-3757

www.flotecwater.com

OWNER'S MANUAL

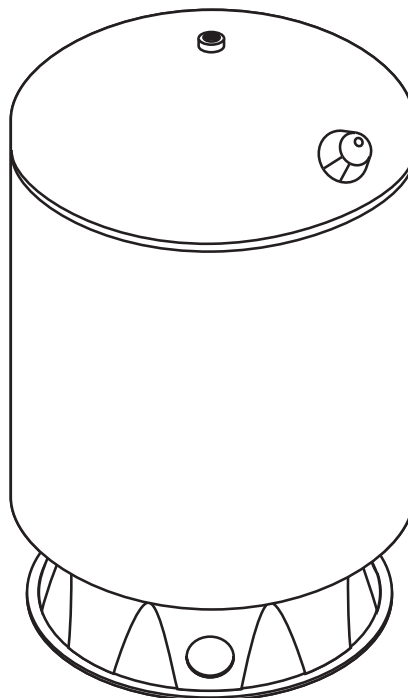
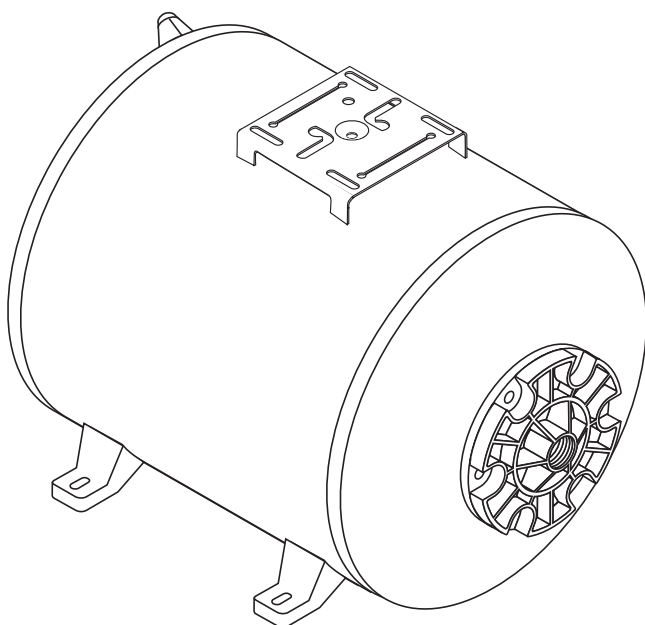
Pre-Charged Pressure Tanks

NOTICE D'UTILISATION

Réservoirs sous pression préchargés

MANUAL DEL USUARIO

Tanques de presión precargada



FP7100, FP7100H, FP7110 FP7110T, FP7110TH, FP7120 FP7125, FP7130, FP7135,

Installation/Operation/Parts

For further operating, installation, or maintenance assistance:

Call 800-365-6832

English..... Pages 2-8

Installation/Fonctionnement/Pièces

Pour plus de renseignements concernant l'utilisation, l'installation ou l'entretien,

Composer le 800 365-6832

Français Pages 9-15

Instalación/Operación/Piezas


Para mayor información sobre el funcionamiento, instalación o mantenimiento de la bomba:

Llame al 800-365-6832

Español.....Paginas 16-22

Important Safety Instructions

SAVE THESE INSTRUCTIONS - This manual contains important instructions that should be followed during installation, operation, and maintenance of the product.

 This is the safety alert symbol. When you see this symbol on your pump or in this manual, look for one of the following signal words and be alert to the potential for personal injury!

▲ DANGER indicates a hazard which, if not avoided, *will* result in death or serious injury.

▲ WARNING indicates a hazard which, if not avoided, *could* result in death or serious injury.

▲ CAUTION indicates a hazard which, if not avoided, *could* result in minor or moderate injury.

NOTICE addresses practices not related to personal injury.

Carefully read and follow all safety instructions in this manual and on pump.

Keep safety labels in good condition. Replace missing or damaged safety labels.

California Proposition 65 Warning

▲ WARNING This product contains chemicals known to the State of California to cause cancer or birth defects or other reproductive harm.

1. Read this manual carefully. Failure to follow these Instructions could cause serious bodily injury and/or property damage.
2. Consult installer or licensed plumber for correct relief valve. Install system according to local codes.
3. Always test water from well for purity before using. Check local health department for testing procedure.
4. Before installing or servicing tank, BE SURE pump electric power source is disconnected. Release all water pressure before working on tank or system. Release air pressure before removing cover flange.
5. Install relief valve in pump supply line to tank, as close to tank as possible.
6. BE SURE pump electrical circuit is properly grounded.
7. Remove bleeder orifices, air volume controls or other air charging devices in existing system.
8. DO NOT USE tank as a surge suppressor.

▲ WARNING Risk of explosion. Pump body may explode if used as a booster pump unless relief valve capable of passing full pump flow at 75 PSI is installed. Do not ground to a gas supply line. To prevent possible serious or fatal injury and/or damage to equipment, system pressure must be less than 100 pounds per square inch (PSI) (689kPa) under any circumstances. Failure to follow instruction can result in tank blowup. If system discharge pressure can exceed 100 PSI (689kPa), install a relief valve capable of passing the full pump volume at 100 PSI (689kPa).

▲ WARNING Risk of freezing. Do not allow pump, tank, or piping system to freeze. Freezing can severely damage equipment and may lead to tank explosion and serious injury. Allowing tank to freeze voids tank warranty.

General Information

Tanks listed below are pre-charged, or filled with air at the factory, to 40 pounds per square inch (PSI) (276kPa). When installing tank, set tank pressure according to Chart 1. To do this, bleed air from or add air to tank through valve on top of tank.

NOTICE Always set or check tank pre-charge with NO WATER in tank or water pressure in system. If you have already pumped water before setting or checking pre-charge pressure, turn pump off. Open faucet until there is no more water pressure. Set pre-charge in tank according to Chart 1, then close faucet and turn pump back on. Periodically inspect pump and system components.

NOTICE Replace and tighten air valve cap after pressure is adjusted correctly. Failure to replace air cap may allow loss of air pressure and lead to tank waterlogging and bladder failure.

Chart 1

Pressure Switch Setting - PSI	Tank Precharge - PSI
20-40 (138-276 kPa)	18 (124 kPa)
30-50 (207-345 kPa)	28 (193 kPa)
40-60 (276-414 kPa)	38 (262 kPa)

(The first number on the pressure switch is the pump on setting; the second number is the pump off setting.)

Pre-charged storage tanks can be connected together to increase the drawdown. Drawdown is the actual amount of usable water available from when the tank is full to when the pump turns on. Installing two tanks of same size will double the drawdown supply, three tanks will triple the drawdown supply, (Figure 1). Locate pressure switch as shown. Tank and pressure switch cannot be more than 10' (3M) apart.

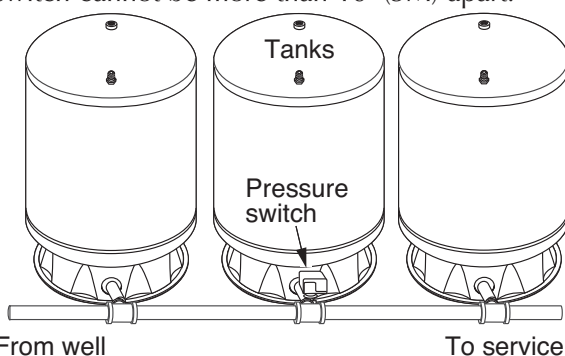


Figure 1

NOTICE Tank capacity is different than drawdown. Tank capacity is the actual physical volume of the sheet metal that makes up the tank.

Operating Cycle

- Step 1. Tank nearly empty – air expands filling area above bladder (Figure 2A).
- Step 2. Water enters tank – air is compressed above bladder as it fills with water (Figure 2B).
- Step 3. Pump-up cycle completed – air compressed to OFF setting of pressure switch (Figure 2C).
- Step 4. Water drawn from tank – compressed tank air forces water out of bladder (Figure 2D).
- Step 5. Bladder empty – new cycle ready to begin (Figure 2A).

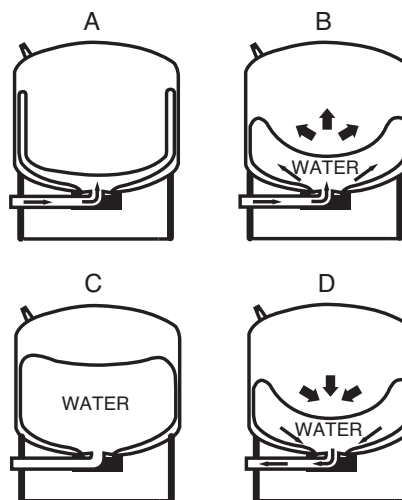


Figure 2

Installation

NOTICE Do not allow pump or any system component to freeze. To do so will void warranty.

Connect discharge pipe from pump to a tee. Connect one side of tee to tank flange and the other side of tee to service. Use plastic or steel pipe as required. To prevent leaks, use PTFE pipe thread sealant tape on male threads of all threaded connections to tank.

NOTICE To be sure pipe joints are not cross-threaded and all threads are clean, make connections by hand (without sealer) first. When threads are clean, remove pipe, add PTFE pipe thread sealant tape, and remake connection. Tighten by hand first; finish with pipe wrench.

When installing an elbow or nipple in the plastic tank flange, tighten it hand tight plus 1-1/2 turns with a pipe wrench. **DO NOT OVERTIGHTEN!**

Standard Tank Replacement

When replacing standard tank in a water system with pre-charged tank, no bleeder orifices or Air Volume Control (AVC) are required. When sizing a pre-charged tank to replace a standard tank, the tanks should have equivalent drawdowns.

For example, model FP7110T precharged tank has a drawdown of 5.8 gallons (22L) and is equivalent to a 42 gallon standard tank that has a drawdown of 4.3 gallons (16.3L).

▲WARNING Risk of electric shock and explosion. Disconnect all power to pump and bleed all pressure from system before working on pump, tank, or piping.

For jet pump installation, remove AVC tube from port in pump body or jet body and plug port (see Figure 3). New pumps come with plug installed.

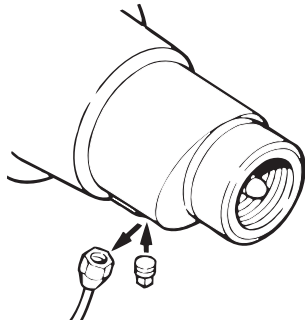


Figure 3 - Plug AVC Port when installing pre-charged tank on existing pumps. New pumps come with plug installed.

When working on submersible pumps in wells be sure safety rope is solidly connected to pump and to secure anchor at the well head at all times. Do not drop the pump down the well!

Bleeder Orifices

NOTICE For submersible pump installations, there may be bleeder orifices in the vertical discharge pipe. They must be removed and the tees plugged when a pre-charged tank is installed in the system. To do this, raise the pump and discharge piping enough to bring the bleeder orifices clear of the well. Remove the bleeder orifices from tees and replace with plugs (see Figure 4). Bleeder orifices may be any of several sizes. Have a pair each of 1/2", 3/4", and 1" plugs available. Replace pump and reconnect the discharge pipe.

Adjusting Tank Pre-charge

In areas where temperature is high for long periods of time, tank pre-charge pressure may increase. This may reduce tank drawdown (amount of water available per cycle). If this occurs, adjust pre-charge pressure according to Chart 1.

Flush all air out of piping system and water reservoir portion of pre-charged tank. Required on: new installations, pumps requiring re-priming, and pumps disassembled for service.

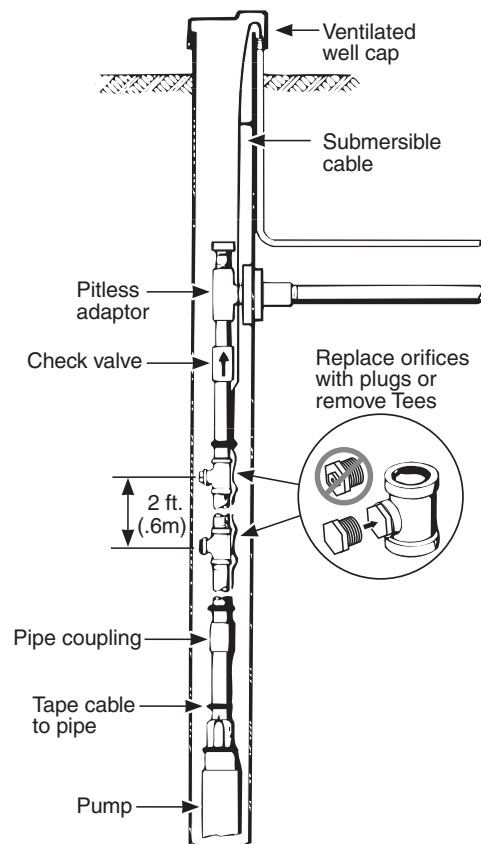


Figure 4

Do as follows:

- Step 1. Open faucets furthest from tank and run pump.
- Step 2. Run pump until sputtering stops and steady stream of water flows.
- Step 3. Open and close faucets repeatedly until all air has been removed.
- Step 4. If stream does not become steady, air may be leaking into system; check for leaks in piping on suction side of pump.

NOTICE To prevent waterlogging, check tank air charge annually.

To Check Tank Air Charge

If drawdown decreases significantly, check as follows:

- Step 1. To check air charge in tank, shut off electric power to pump, open faucet near tank, and drain completely.
- Step 2. At air valve, check tank air pressure with tire gauge. See Chart 1, for correct pressure setting. If needed, adjust tank pressure up or down.
- Step 3. Use soap or liquid detergent to check for air leaks around air valve. Continuous bubbling indicates leak. If necessary, release air pressure and install new core in air valve, (same as used for automobile tubeless tires.)

Testing For Bladder Leakage

- Step 1. Disconnect power to pump.
- Step 2. Drain water from tank bladder by opening faucet closest to tank.
- Step 3. Remove valve cap and release all pressure by depressing valve core. When air stops coming from valve, remove valve core to release remaining pressure.
- Step 4. Disconnect piping from elbow on tank cover flange.
- Step 5. Carefully turn tank upside down or lay on its side.

NOTICE Retained water in tank may cause sudden weight shift when lowering. Support tank so it cannot fall when being lowered or inverted.

- Step 6. If bladder leaks, water will run out of valve. If so, replace bladder.
- Step 7. If replacing bladder, be sure air and water pressures are relieved before removing cover flange. When reassembling cover flange, do not tighten nuts or mounting studs more than 65 in-lbs.

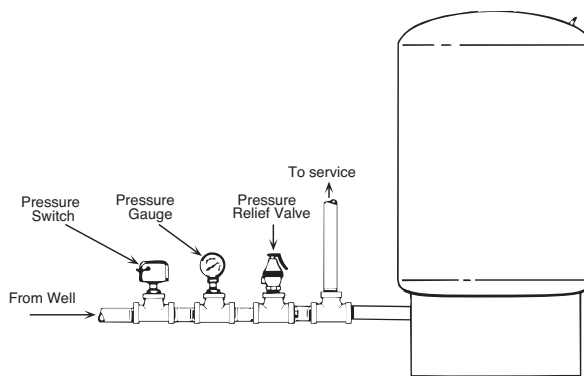


Figure 5 - Typical installation with vertical pre-charge tank and submersible well pumps

NOTICE When using metal pipe with plastic fittings use only pipe thread sealant tape on male threads.

NOTICE Most standard tanks have separate inlet and outlet ports. Pre-charge tanks have one port serving both functions. When replacing standard tank with a pre-charge tank, run pipe from pump into a tee as shown. 2nd leg of tee goes to tank elbow; 3rd leg goes to existing service.

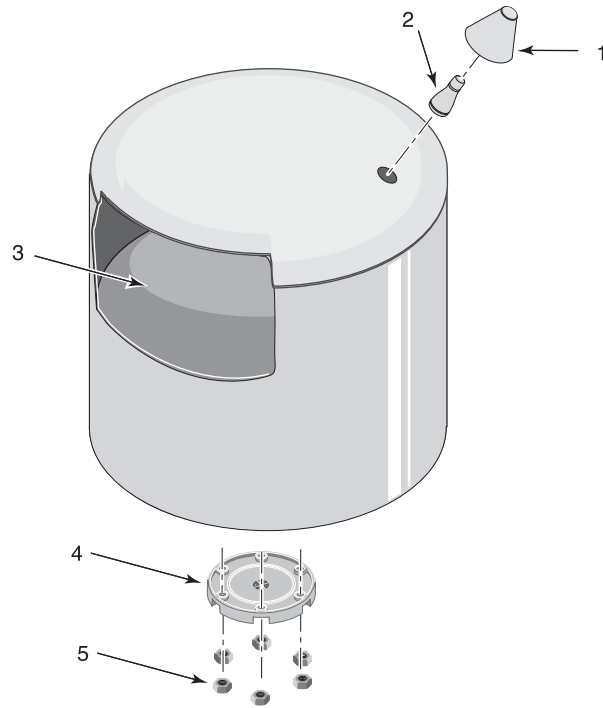
Product Information – Pre-Charged Tanks

Catalog Number	Drawdown - Gals(L)		
	20-40 PSI (138-276 kPa)	30-50 PSI (207-345 kPa)	40-60 PSI (276-414 kPa)
FP7100	2.2 (8.3)	1.8 (6.8)	1.6 (6.1)
FP7100H	2.2 (8.3)	1.8 (6.8)	1.6 (6.1)
FP7110T	6.9 (26.1)	5.9 (22)	5.0 (18.9)
FP7110TH	6.9 (26.1)	5.9 (22)	5.0 (18.9)
FP7110	6.9 (26.1)	5.9 (22)	5.0 (18.9)
FP7120	12.7 (48.1)	10.7 (40.5)	9.3 (35.2)
FP7125	18.3 (69.3)	15.5 (58.7)	13.4 (50.7)
FP7130	30.0 (113.6)	26.0 (98.4)	22.0 (83.3)
FP7135	41.3 (156.3)	35.4 (134.0)	31.0 (117.3)

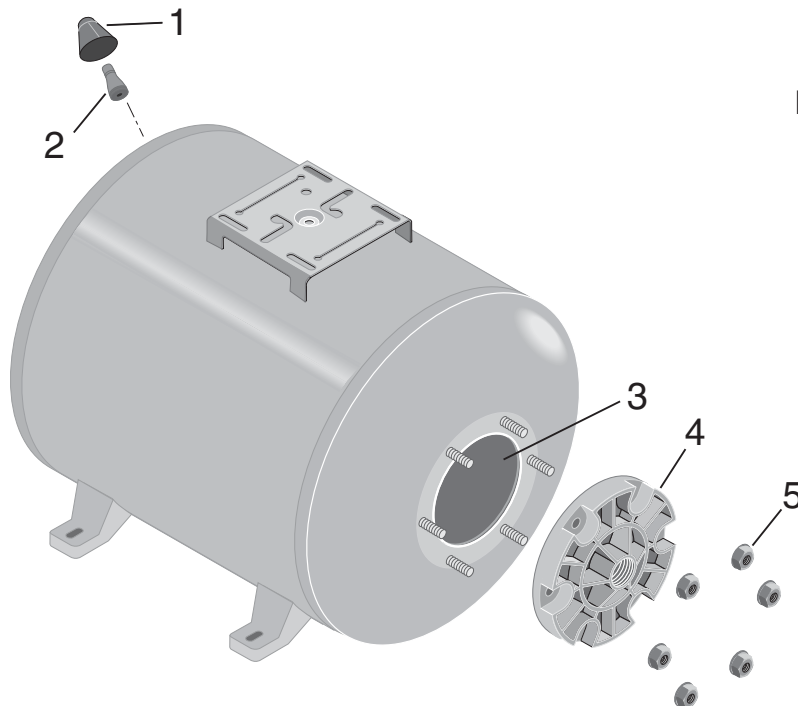
Catalog Number	Maximum Capacity US GALS (L)	Equivalent to Standard Tank US GALS (L)	Tank Diameter (mm)	Overall Height (mm)	Tank Discharge Tapping
FP7100	6 (23)	15 (57)	12" (305)	16 1/2" (419)	.75"
FP7100H	6 (23)	15 (57)	12" (305)	*16 1/2" (419)	.75"
FP7110T	19 (72)	42 (159)	16" (406)	30 1/8" (765)	1"
FP7110TH	19 (72)	42 (159)	16" (406)	*24 5/8" (625)	1"
FP7110	19 (72)	42 (159)	20" (508)	22 3/4" (578)	1"
FP7120	35 (132)	82 (310)	20" (508)	36 1/4" (921)	1"
FP7125	50 (189)	120 (454)	24" (610)	34 3/4" (883)	1.25"
FP7130	85 (322)	220 (833)	24" (610)	54" (1372)	1.25"
FP7135	119 (450)	320 (1211)	24" (610)	68" (1727)	1.25"

* Overall length; this model is a horizontal tank.

For parts or assistance, call Flotec Customer Service at 800-365-6832



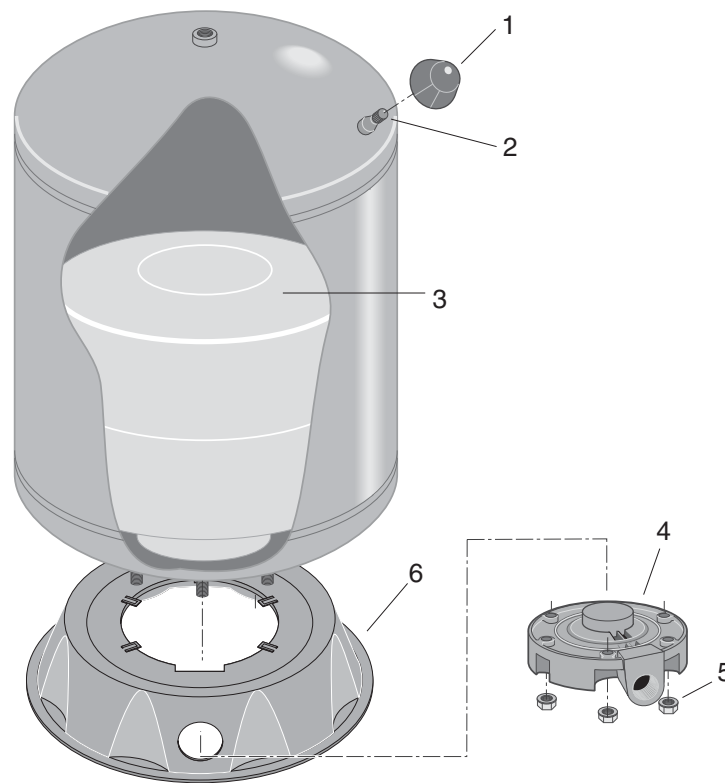
**Model
FP7100-09**



**Model
FP7100H-09**

Ref.	Description	Qty.	FP7100-09	FP7100H-09
1	Air Valve Cover	1	U31-380P	U31-380P
2	Air Valve with Cap	1	U212-160	U212-160
3	Water Cell - Vinyl	1	U20-7	U20-7
4	Cover Flange	1	U31-442P	U31-442P
5	Flanged Nut - 5/16-18 Hex†	6	U36-202BT	U36-202BT

† Standard hardware items, may be purchased locally.



Models
FP7110-10
FP7110T-10
FP7110TH-10
FP7120-10
FP7125-10
FP7130-10
FP7135-02

Ref.	Description	Qty.	FP7110-10	FP7110T-10	FP7110TH-10
1	Air Valve Cover	1	U31-380P	U31-380P	U31-380P
2	Air Valve with Cap	1	U212-160	U212-160	U212-260
3	Water Cell - Vinyl	1	U20-8	U20-13	U20-13
4	Cover Flange	1	U31-446P	U31-446P	U31-446P
5	Flanged Nut 5/16-18 Hex†	6	U36-202BT	U36-202BT	U36-202BT
6	Base	1	U31-505P	U31-505P	U31-505P
*	Pump Mounting Bracket	1	TNKBR-P2	TNKBR-P2	TNKBR-P2

Ref.	Description	Qty.	FP7120-10	FP7125-10	FP7130-10
1	Air Valve Cover	1	U31-380P	U31-380P	U31-380P
2	Air Valve with Cap	1	U212-160	U212-160	U212-260
3	Water Cell - Vinyl	1	U20-9	U20-10	U20-14
4	Cover Flange	1	U31-446P	U31-447P	U31-447P
5	Flanged Nut 5/16-18 Hex†	6	U36-202BT	U36-202BT	U36-202BT
6	Base	1	U31-505P	U31-512P	U31-512P
*	Pump Mounting Bracket	1	TNKBR-P2	TNKBR-P2	TNKBR-P2

Ref.	Description	Qty.	FP7135-02
1	Air Valve Cover	1	U31-380P
2	Air Valve with Cap	1	U212-160
3	Water Cell - Vinyl	1	U20-20
4	Cover Flange	1	U31-462P
5	Flanged Nut 5/16-18 Hex†	6	U36-202BT
6	Base	1	U31-512P
*	Pump Mounting Bracket	1	TNKBR-P2

† Standard hardware items, may be purchased locally.

* Not illustrated, sold separately

Retain Original Receipt For Warranty Eligibility**Limited Warranty**

This Limited Warranty is effective June 1, 2011 and replaces all undated warranties and warranties dated before June 1, 2011. FLOTEC warrants to the original consumer purchaser ("Purchaser" or "You") that its products are free from defects in material and workmanship for a period of twelve (12) months from the date of the original consumer purchase. If, within twelve (12) months from the original consumer purchase, any such product shall prove to be defective, it shall be repaired or replaced at FLOTEC's option, subject to the terms and conditions set forth herein. Note that this limited warranty applies to manufacturing defects only and not to ordinary wear and tear. All mechanical devices need periodic parts and service to perform well. This limited warranty does not cover repair when normal use has exhausted the life of a part or the equipment.

The original purchase receipt and product warranty information label are required to determine warranty eligibility. Eligibility is based on purchase date of original product – not the date of replacement under warranty. The warranty is limited to repair or replacement of original purchased product only, not replacement product (i.e. one warranty replacement allowed per purchase). Purchaser pays all removal, installation, labor, shipping, and incidental charges.

For parts or troubleshooting assistance, DO NOT return product to your retail store - contact FLOTEC Customer Service at 800-365-6832.

Claims made under this warranty shall be made by returning the product (except sewage pumps, see below) to the retail outlet where it was purchased or to the factory immediately after the discovery of any alleged defect. FLOTEC will subsequently take corrective action as promptly as reasonably possible. No requests for service will be accepted if received more than 30 days after the warranty expires. Warranty is not transferable and does not apply to products used in commercial/rental applications.

Sewage Pumps

DO NOT return a sewage pump (that has been installed) to your retail store. Contact FLOTEC Customer Service. Sewage pumps that have seen service and been removed carry a contamination hazard with them.

If your sewage pump has failed:

- Wear rubber gloves when handling the pump;
- For warranty purposes, return the pump's cord tag and original receipt of purchase to the retail store;
- Dispose of the pump according to local disposal ordinances.

Exceptions to the Twelve (12) Month Limited Warranty

Product - Model	Warranty Period
FP0F360AC, FP0FDC, FPDM21SA, FPDM21HC	90 days
FP0S1775A, FP0S1790PCA, FP0S2400A, FP0S2450A, FP0S4100X, FP2800DCC, FPCP-20ULST, FPPSS3000, FPSC2150A, FPSC3150A, FPCI3350, FPCI5050, FPDC30, FPCC5030	2 Years
4" Submersible Well Pumps, FP0S3200A, FP0S3250A, FP0S6000A, FPSC1725X, FPSC2200A, FPSC2250A, FPSE3601A, FPPSS5000, FPSC3350A, FPZT7300, FPZT7350, FPZT7450, FPZT7550	3 Years
FP7100 Series Pressure Tanks, E100ELT, E3305TLT, E3375TLT, E5005TLT, E50TLT, E50VLT, E75STVT, E75VLT, FPSC3200A, FPSC3250A, FPSC4550A, FPSE9000	5 Years

General Terms and Conditions; Limitation of Remedies

You must pay all labor and shipping charges necessary to replace product covered by this warranty. This warranty does not apply to the following: (1) acts of God; (2) products which, in FLOTEC's sole judgment, have been subject to negligence, abuse, accident, misapplication, tampering, or alteration; (3) failures due to improper installation, operation, maintenance or storage; (4) atypical or unapproved application, use or service; (5) failures caused by corrosion, rust or other foreign materials in the system, or operation at pressures in excess of recommended maximums.

This warranty sets forth FLOTEC's sole obligation and purchaser's exclusive remedy for defective products.

FLOTEC SHALL NOT BE LIABLE FOR ANY CONSEQUENTIAL, INCIDENTAL, OR CONTINGENT DAMAGES WHATSOEVER.

THE FOREGOING LIMITED WARRANTIES ARE EXCLUSIVE AND IN LIEU OF ALL OTHER EXPRESS AND IMPLIED WARRANTIES, INCLUDING BUT NOT LIMITED TO IMPLIED WARRANTIES OF MERCHANTABILITY AND FITNESS FOR A PARTICULAR PURPOSE. THE FOREGOING LIMITED WARRANTIES SHALL NOT EXTEND BEYOND THE DURATION PROVIDED HEREIN.

Some states do not allow the exclusion or limitation of incidental or consequential damages or limitations on how long an implied warranty lasts, so the above limitations or exclusions may not apply to You. This warranty gives You specific legal rights and You may also have other rights which vary from state to state.

FLOTEC • 293 Wright Street • Delavan, WI U.S.A. 53115
Phone: 800-365-6832 • Fax: 800-526-3757 • www.flotecwater.com