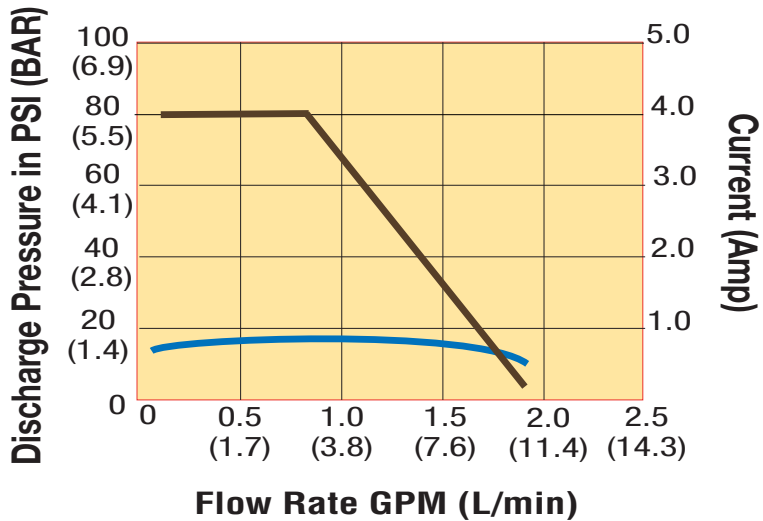
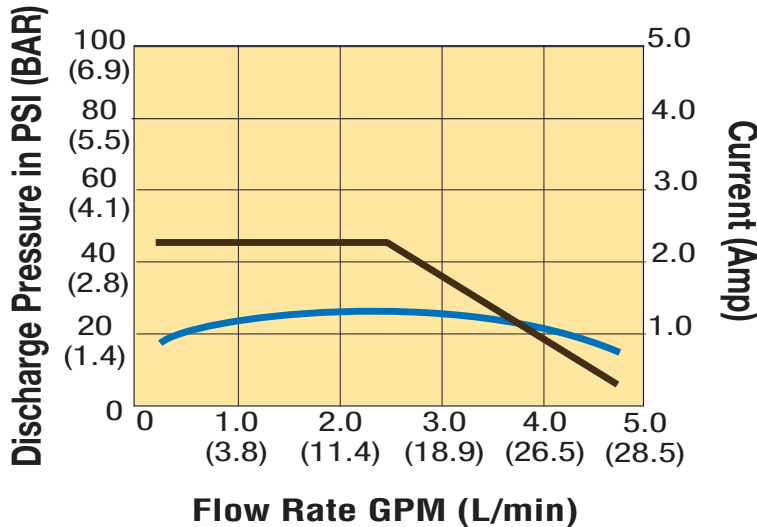


PUMP PERFORMANCE

Duplex II 115VAC, 60 Hz



Quad 115VAC, 60 Hz



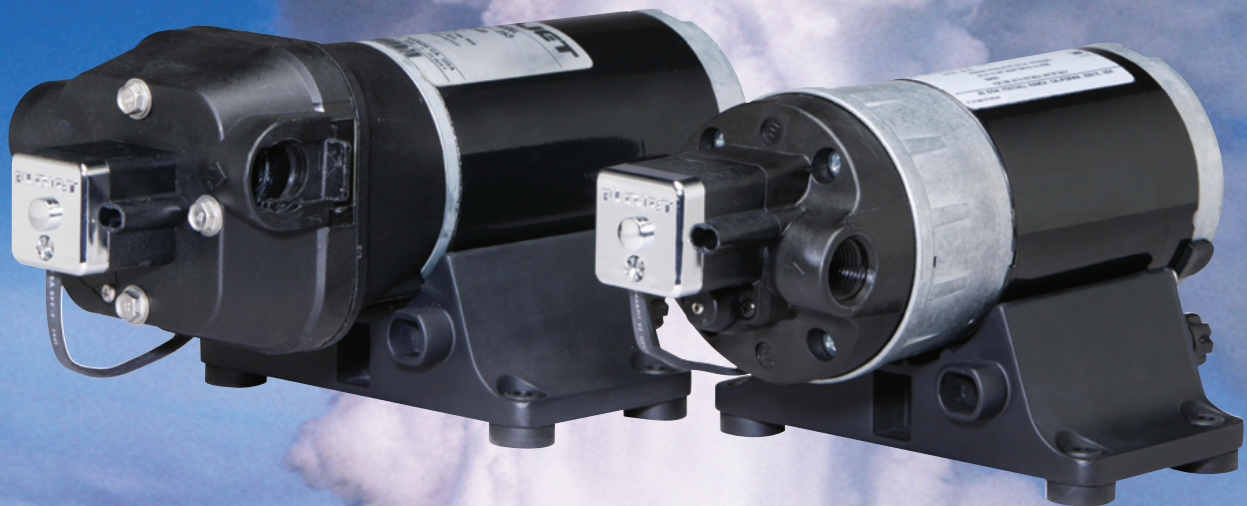
www.flojet.com

For further information, contact your FLOJET representative, or write to:

U.S.A. Flojet 20 Icon Foothill Ranch, CA 92610 Tel: 949.859.4945 Fax: 949.859.1153	UNITED KINGDOM Flojet Bingley Road, Hoddesdon Hertfordshire EN11 OBU Tel: +44 (0) 1992 450145 Fax: +44 (0) 1992 467132	CANADA Fluid Products Canada 55 Royal Road Guelph, Ontario N1H 1T1 Tel: 519 821.1900 Fax: 519 821.2569	JAPAN NHK Jabsco Company Ltd. 3-21-10, Shin-Yokohama Kohoku-Ku, Yokohama, 222 Tel: 045.475.8906 Fax: 045.475.8908	GERMANY Jabsco GmbH Oststrasse 28 22840 Norderstedt Tel: +49-40-53 53 73 -0 Fax: +49-40-53 53 73 -11	ITALY Jabsco Marine Italia Via Tommaseo, 6 20059 Vimercate, Milano Tel: +39 039 685 2323 Fax: +39 039 666 307
---	---	---	--	---	--

FLOJET®

**INTRODUCING THE FLOJET
AC VARIABLE SPEED DRIVE
PUMP SERIES**



Quad Model

Duplex II Model

Flojet



ITT Industries
Engineered for life

The Flojet AC VSD Series Pumps

The Flojet AC VSD Pumps automatically adjust in real time to changes in flow due to the number of valves in operation, filter back pressure, and changes in working fluid viscosity... so you don't have to.

The pumps match motor speed to system demand. As the demand for fluid increases, the motor responds to increase flow. Conversely, as the demand lessens, the motor slows to a "super quiet" speed, always maintaining a constant system pressure. The result is exceptionally stable flow and reduced amp draw.

The new Flojet AC VSD pumps provide stable, constant-pressure operation on any AC application. Operation from no flow to maximum flow is proportionally controlled, eliminating unwanted pump switch cycling and the need for an accumulator tank.

SPECIAL FEATURES

- Maintains steady fluid pressure in response to variable flow demand
- High pressure (80 psi / 5.5 bar) and low pressure (45 psi / 3.1 bar) models available
- No pressure switch
- Conserves energy, low amp draw
- Quiet running under normal use
- Automatically adjusts motor speed to maintain constant system pressure
- Improves overall system performance
- Eliminates need for bulky accumulator tank
- Excellent solution for limited space requirements

MODEL NUMBERS

Duplex II Models (Pump with VSD Module)

D3635H8011A	115 VAC	3 12" Wires
D3835H8011A	115 VAC	Cable with Plug

Quad Models (Pump with VSD Module)

04520043A	115 VAC	3 12" Wires
04520500A	115 VAC	Cable with Plug

SPECIFICATIONS - DUPLEX II VSD

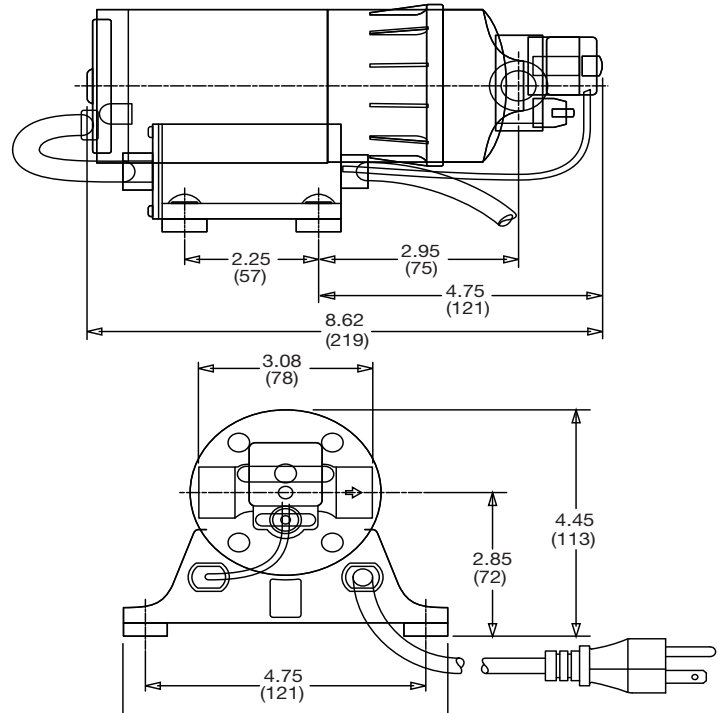
Pump Design	Positive Displacement Diaphragm (2 Piston)
Power Source	AC
Materials	Polypropylene housing, Santoprene* diaphragm, EPDM** check valves
Fluid Temperature Limits	130° F (55° C)
Weight	5.61 lbs. (2.54 kg.)
Motor	Permanent Magnet Rectified
Amp Draw, 115 V	0.85 Amps (Max draw @ 80 PSI / 5.5 bar)
Flow Rate, 115 V	1.9 GPM (7.3 LPM) - Open Flow
Voltages	115 V
Cycles	60 Hz
Recommended Duty Cycle	Intermittent
Dimensions	3.63" H x 4.00" W x 8.38" L (92 mm x 102 mm x 213 mm)
UL Recognized	
NSF Standard 18	

* A Registered trademark of Monsanto Co.

** Consult factory for other materials or voltage options

DIMENSIONS inches (mm)

Duplex II Model



SPECIFICATIONS - QUAD VSD

Pump Design	Positive Displacement Diaphragm (4 Piston)
Power Source	AC
Materials	Polypropylene housing, Santoprene* diaphragm, EPDM** check valves
Fluid Temperature Limits	130° F (55° C)
Weight	6.63 lbs. (3.0 kg.)
Motor	Permanent Magnet Rectified
Amp Draw, 115 V	1.50 Amps (Max draw @ 45 PSI / 3.1 bar)
Flow Rate, 115 V	5.0 GPM (18.8 LPM) - Open Flow
Voltages	115 V
Cycles	60 Hz
Recommended Duty Cycle	Intermittent
Dimensions	3.75" H x 6.30" W x 9.00" L (95 mm x 160 mm x 221 mm)
UL Recognized	
NSF pending	

* A Registered trademark of Monsanto Co.

** Consult factory for other materials or voltage options

Quad Model

