



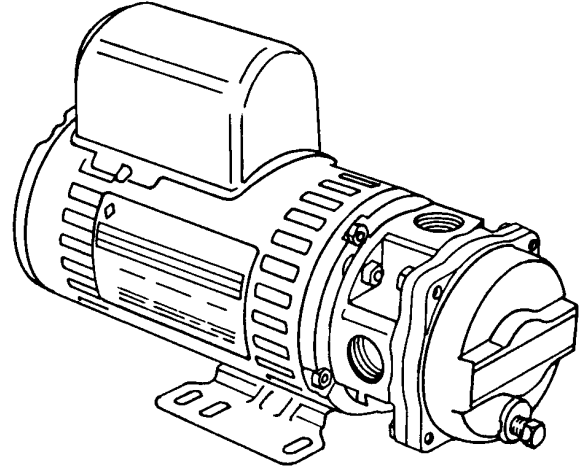
**SERIES CR**

## CLOSE COUPLED TURBINE PUMPS

### APPLICATIONS

- Carpet Cleaning Machines
- Small Steam Generators
- Solar Heating Systems
- Booster Pump
- Injector Venturi Operation
- Cleaning and Flushing
- Low Flow Circulating
- Spray Nozzles
- Liquid Transfer
- Coolant Pump
- Aeration

BURKS exclusive, unique regenerative type turbine pumps are designed to handle clear water and many other nonabrasive, lower viscosity liquids on high pressure/low capacity applications with the greatest possible efficiency.



60 HZ - PERFORMANCE										
Catalog Number		HP	TOTAL HEAD							
			PSI (kPa) FEET (M)	10.8 (74) 25 (7.6)	21.6 (149) 50 (15.2)	32.5 (224) 75 (22.8)	43.3 (299) 100 (30.4)	54.1 (373) 125 (38.1)	64.9 (447) 150 (45.7)	75.8 (523) 175 (53.3)
115V	230V	1/3	CAPACITY IN G.P.M. (L.P.S.)							
A3CR6M	3CR6M			4.3 (0.27)	3.9 (0.24)	3.6 (0.23)	3.4 (0.21)	3.2 (0.2)	3.0 (0.19)	2.9 (0.18)

3450  
RPM

50 HZ - PERFORMANCE										
Catalog Number		HP	TOTAL HEAD							
			PSI (kPa) FEET (M)	10.4 (72) 24 (7.3)	20.8 (143) 48 (14.6)	37.7 (260) 87 (26.5)	49.4 (341) 114 (34.7)	55.4 (382) 128 (39.0)	68.4 (472) 158 (48.2)	81.9 (565) 189 (57.6)
220V		1/3	CAPACITY IN G.P.M. (L.P.S.)							
L3CR6M				3.6 (0.23)	3.2 (0.20)	2.8 (0.18)	2.6 (0.16)	2.5 (0.16)	2.3 (0.15)	2.1 (0.13)

2900  
RPM



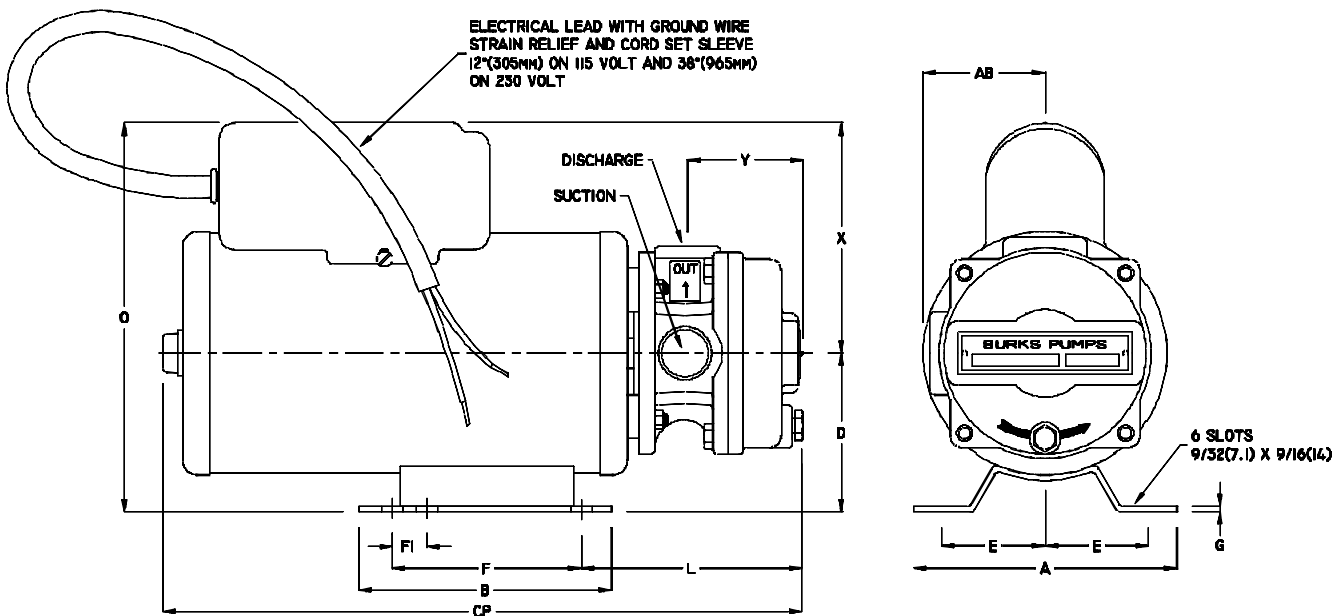
## FEATURES

- Compact Size-Ideal for OEM Applications
- All Bronze Construction with Monel Impeller Blades
- Carbon/Ceramic Shaft Seal for Temperatures to 225°F (107°C)
- #316 Stainless Steel Shaft
- Close Coupled Design - No Couplings or Alignment Problems
- Motors have ball/ball bearing construction and open ventilated enclosure. Motors are **NOT** drip-proof. Rated for continuous duty operation at all ratings shown.
- Capacitor Start Motors Have Built-In Automatic Overload Protection
- Furnished with UL Recognized Motor Lead
- Field Adjustable Impeller for Extended Service Life

- Easy to Service
- Every Pump Factory Tested

MAXIMUM OPERATING CONDITIONS	
TEMPERATURE (For Standard Buna-N Seal)	225°F (107°C)
INLET PRESSURE	50 PSI (344kpa)
CASING WORKING PRESSURE	150 PSI (1034kpa)
VISCOSITY	200 SSU

MATERIALS OF CONSTRUCTION	
PART	ALL BRONZE
Frame/Raceway	Bronze
Impeller	Bronze (Monel Blades)
Shaft	#316 Stainless Steel
Front Cover	Bronze
Shaft Seal	Carbon-Ceramic S. Steel-Buna-N



Tappings		DIMENSIONS IN INCHES													
Disc. NPT	Suct. NPT	Motor Frame	A	AB	B	CP*	D	E	F	F1	G	L	O*	X	Y
1/2"	1/2"	36	4	1 <sup>7</sup> / <sub>8</sub>	3 <sup>1</sup> / <sub>4</sub>	10 <sup>1</sup> / <sub>2</sub>	2 <sup>1</sup> / <sub>4</sub>	1 <sup>1</sup> / <sub>2</sub>	2 <sup>1</sup> / <sub>2</sub>	<sup>5</sup> / <sub>8</sub>	<sup>1</sup> / <sub>16</sub>	3 <sup>5</sup> / <sub>8</sub>	6 <sup>1</sup> / <sub>4</sub>	1 <sup>3</sup> / <sub>4</sub>	2

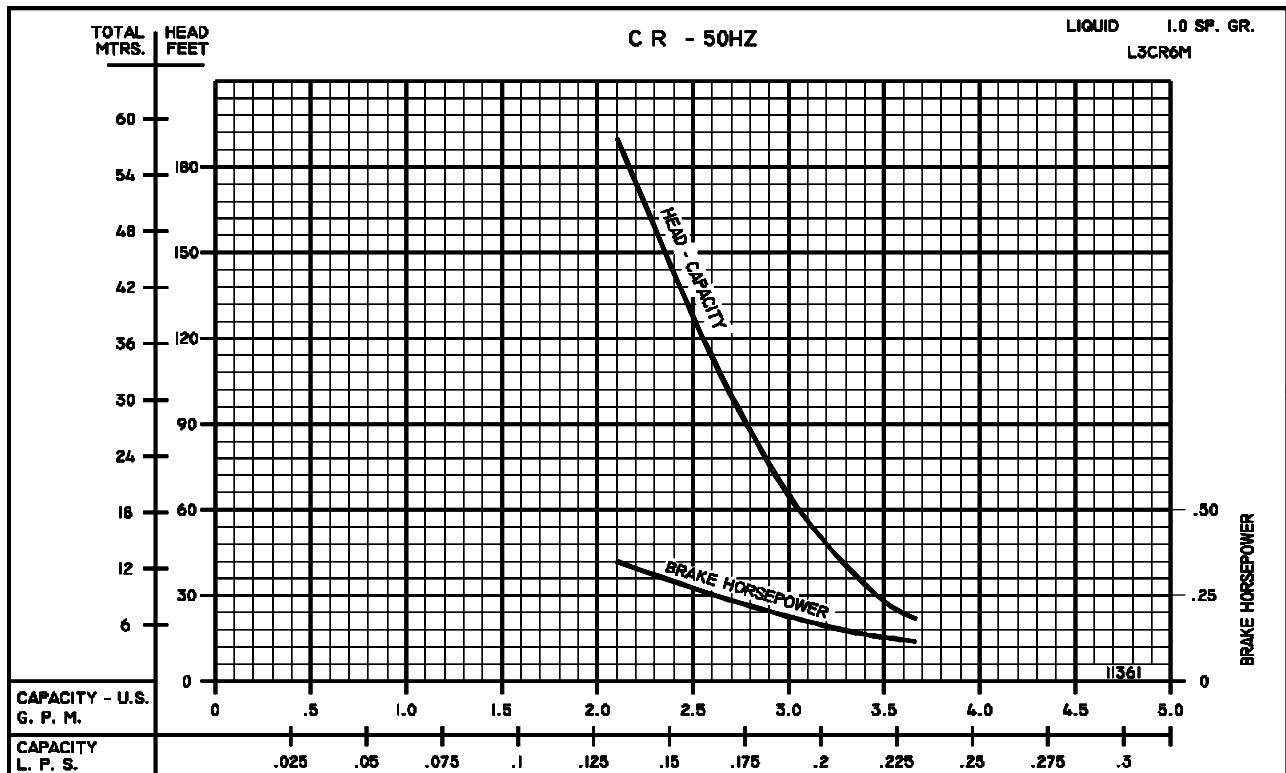
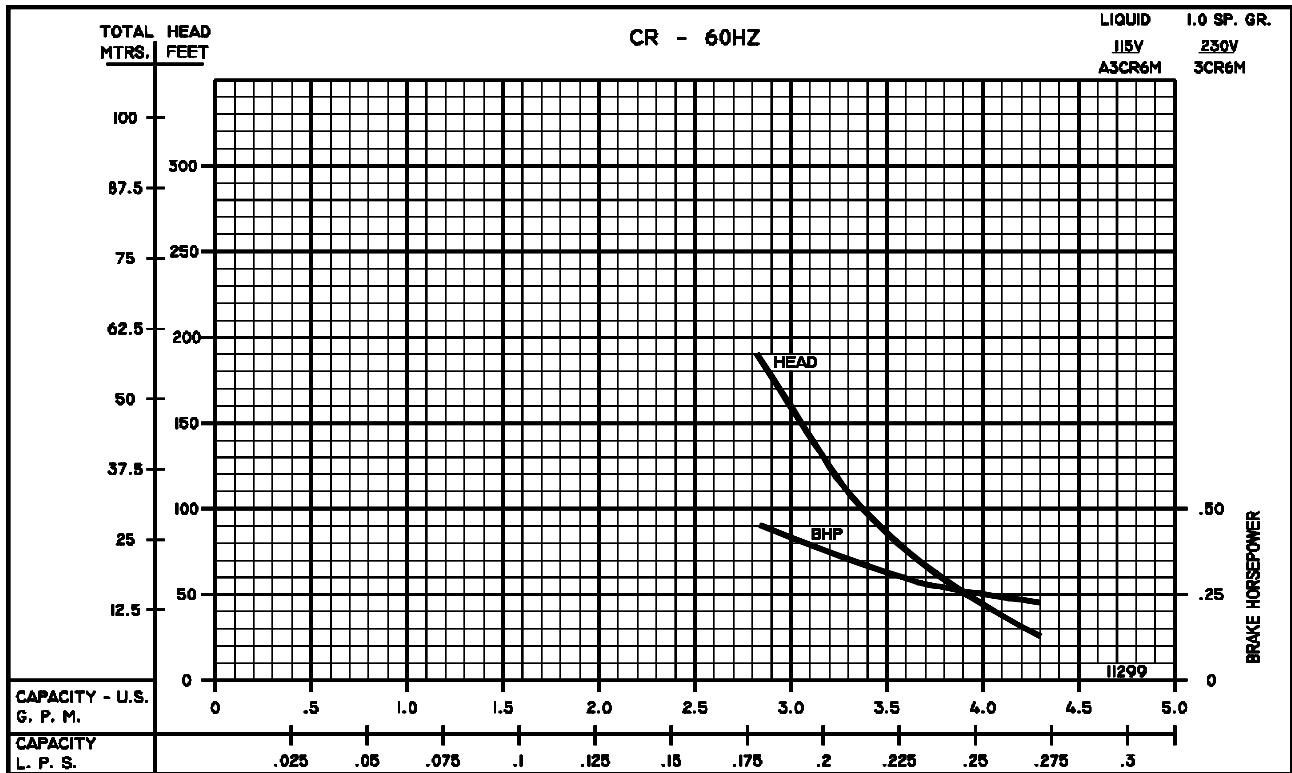
Tappings		Motor Frame	DIMENSIONS IN MILLIMETERS													
Disc. NPT	Suct. NPT	Motor Frame	A	AB	B	CP*	D	E	F	F1	G	L	O*	X	Y	
1/2"	1/2"	36	102	48	83	267	57	38	64	16	1.6	92	159	44	51	

\* Approximate maximum dimension

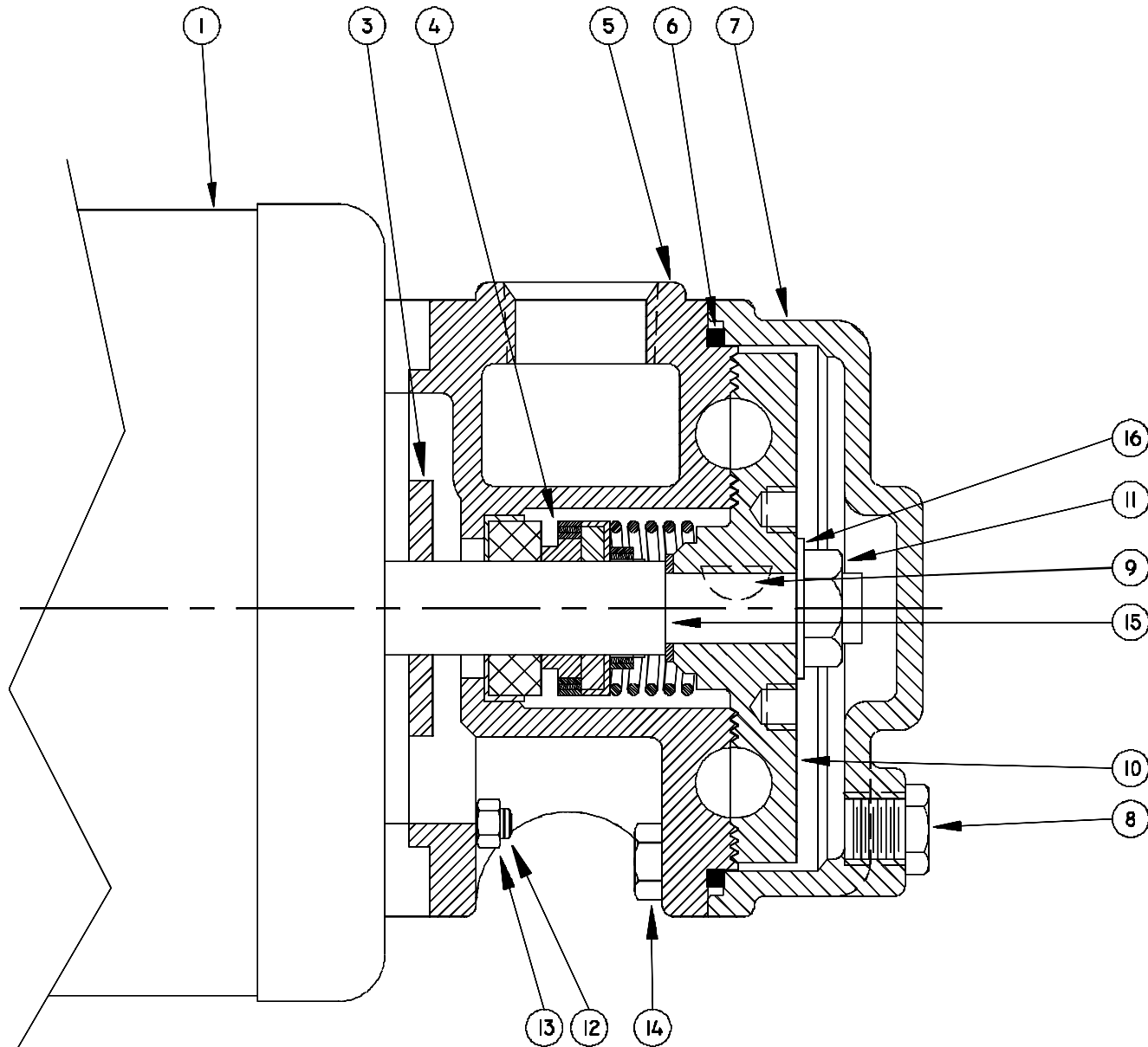
A strainer, approximately 20 mesh, should be installed on the suction side of the pump to prevent chips, scale or hard foreign particales from entering the pump and damaging the raceway and impeller.



## CLOSE COUPLED TURBINE PUMPS



TCCP-70



**SERIES: CR CLOSE COUPLED TURBINE PUMPS**

File: CR.dwg

SYMBOL NUMBER	PART NUMBER	QTY	DESCRIPTION
1	21765	1	Motor, 1/3 HP - 115V, 1Phase
	21933	1	Motor, 1/3 HP - 230V, 1 Phase
3	03520	1	Slinger Washer
4	21727	1	Mechanical Seal - Buna N
	21914	1	Mechanical Seal - Viton
5	21722-6	1	Raceway
6	21726	1	Seal Ring - Buna N
	21913	1	Seal Ring - Viton

SYMBOL NUMBER	PART NUMBER	QTY	DESCRIPTION
7	21724	1	Cover
8	01691-A	1	Plug, 1/8" NPT
9	21728	1	Shaft Key
10	SA21723-6-1	1	Impeller
11	21725	1	Locknut, Impeller
12	21729	4	Stud
13	21730	4	Nut
14	08169	4	Cap Screw
15	22897	1	Washer
16	23037	1	Washer

TCCP-71

SERIES: CR CLOSE COUPLED TURBINE PUMPS

For technical advice or service please take your pump into your local pump service center.  
To order pump or parts or for pricing please go to the following links :

[Burks Pumps Home >>](#)

[Burks Pumps stock list >>](#)