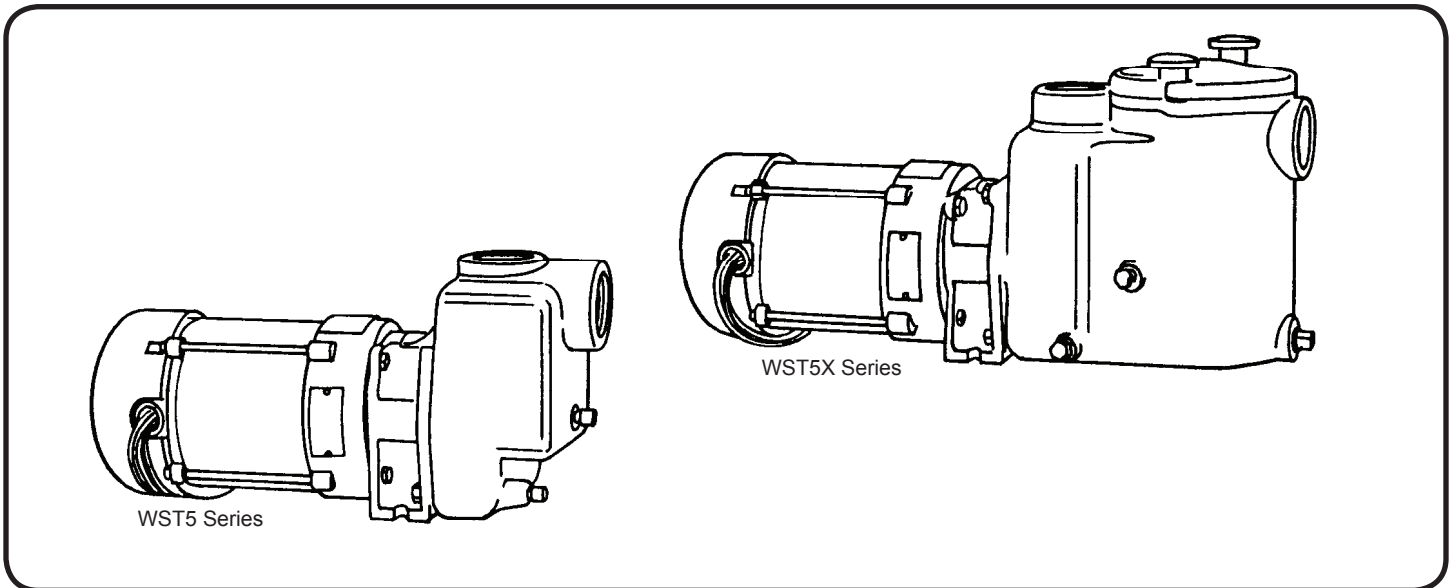


**Close Coupled Self Priming Pumps**



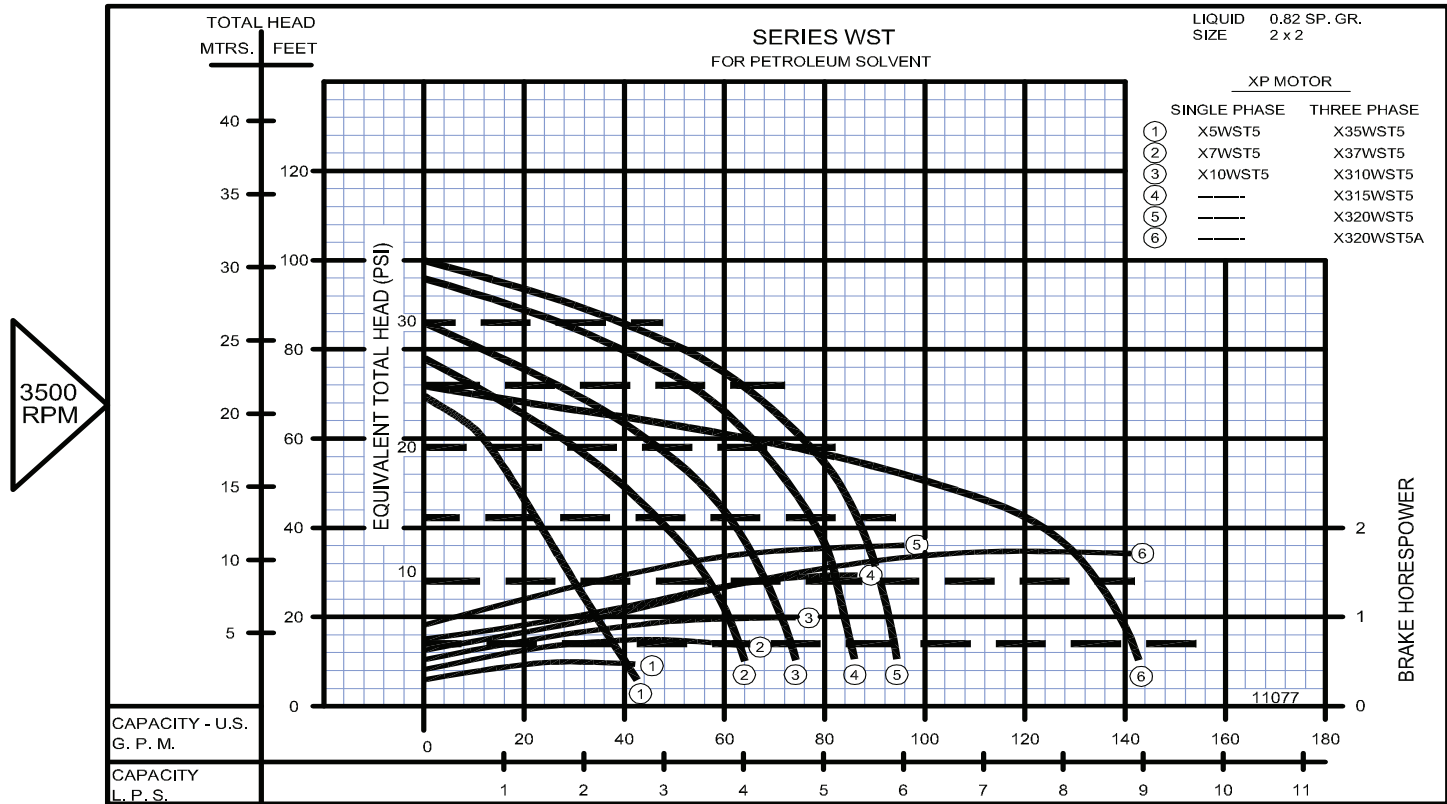
| 60 HZ - PERFORMANCE AND SELECTION 0.82 SG - 3500 RPM |                         |     |            |             |                            |         |          |          |          |          |          |
|--|-------------------------|-----|------------|-------------|----------------------------|---------|----------|----------|----------|----------|----------|
| Catalog No. *  | Catalog No. w/Strainer* | HP  | Tappings   |             | GPM Capacity at Head Shown |         |          |          |          |          |          |
|  |                         |     | Suct. (in) | Disch. (in) | PSI Feet                   | 5<br>14 | 10<br>28 | 15<br>42 | 20<br>56 | 25<br>70 | 30<br>84 |
| X5WST5   | X5WST5X                 | 1/2 | 2          | 2           |                            | 38      | 30       | 22       | 13       | ---      | ---      |
| X7WST5   | X7WST5X                 | 3/4 | 2          | 2           |                            | 64      | 59       | 50       | 33       | 12       | ---      |
| X10WST5  | X10WST5X                | 1   | 2          | 2           |                            | 72      | 69       | 62       | 49       | 29       | ---      |
| X15WST5  | X15WST5X                | 1½  | 2          | 2           |                            | 84      | 82       | 78       | 70       | 54       | 27       |
| X20WST5  | X20WST5X                | 2   | 2          | 2           |                            | 93      | 91       | 87       | 80       | 66       | 41       |
| X20WST5A   | X20WST5AX               | 2   | 2          | 2           |                            | 142     | 136      | 120      | ---      | ---      | ---      |

| Catalog No. * | Catalog No. w/Strainer* | HP  | Tappings   |             | LPS Capacity at Head Shown |           |           |             |             |             |             |
|---------------|-------------------------|-----|------------|-------------|----------------------------|-----------|-----------|-------------|-------------|-------------|-------------|
|               |                         |     | Suct. (in) | Disch. (in) | KPA Meters                 | 34<br>4.2 | 68<br>8.5 | 103<br>12.8 | 137<br>17.0 | 172<br>21.3 | 206<br>25.6 |
| X5WST5        | X5WST5X                 | 1/2 | 2          | 2           |                            | 2.3       | 1.8       | 1.3         | 0.8         | ---         | ---         |
| X7WST5        | X7WST5X                 | 3/4 | 2          | 2           |                            | 4.0       | 3.7       | 2.0         | 2.0         | 0.7         | ---         |
| X10WST5       | X10WST5X                | 1   | 2          | 2           |                            | 4.5       | 4.3       | 3.9         | 3.0         | 1.8         | ---         |
| X15WST5       | X15WST5X                | 1½  | 2          | 2           |                            | 5.2       | 5.1       | 4.9         | 4.4         | 3.4         | 1.7         |
| X20WST5       | X20WST5X                | 2   | 2          | 2           |                            | 5.8       | 5.7       | 5.4         | 5.0         | 4.1         | 2.5         |
| X20WST5A      | X20WST5AX               | 2   | 2          | 2           |                            | 8.9       | 8.5       | 7.5         | ---         | ---         | ---         |

(\*) Catalog numbers are for units with single phase motors. For three phase, add prefix, "3". Example: 37WST5.

For Petroleum Solvents 0.82 S.G.  
3500 RPM - 60 Hz.

**Close Coupled Self Priming Pumps**



- Compact, Close-Coupled Design
- Rugged Bronze-Fitted Cast Iron Construction
- Leakproof Mechanical Shaft Seal
- Non-Clogging, Bronze Semi-Open Impeller
- Stainless Steel Shaft
- Back Pull-Out Design For Easy Servicing
- U.L. Approved, Explosion Proof Motors
- Available With or Without Built-In Basket Type Strainer
- Self-Priming, Once Case is Filled With Fluid
- Diaphragms, Flappers or Check Valves Are Not Required In Pump Suction Piping. But Are Recommended
- EVERY pump is factory tested and will meet Hydraulic Institute standards.

**MOTOR INFORMATION**

WST Series pumps are equipped with 56 Frame, U.L. Recognized explosion proof motors as standard. These motors have cast iron end bell at pump end, and oversized ball/ball bearing construction. Rated for continuous duty at all ratings shown. Both single and three phase motors must be installed with a magnetic starter which provides full-leg overload protection. Failure to use the correct starter and overload protectors will void the warranty. All motors are supplied by companies having national service facilities.



**WARNING:**  
CANCER AND REPRODUCTIVE HARM -  
WWW.P65WARNINGS.CA.GOV

**RATINGS**

Single Phase: 115/230 Volt, 60HZ, 3500RPM, Explosion Proof  
Three Phase: 230/460 Volt, 60HZ, 3500RPM, Explosion Proof

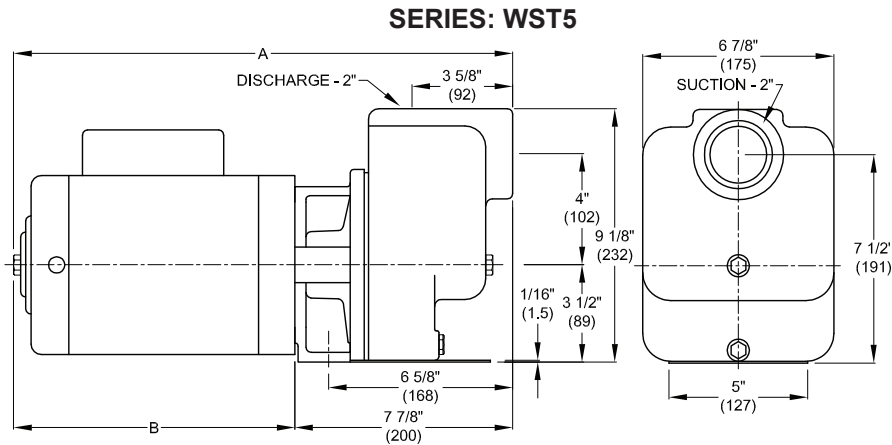
**MAXIMUM OPERATING CONDITIONS**

|  |                   |
|--|-------------------|
| TEMPERATURE (For Standard Buna-N Seal) | 225°F (107°C)     |
| INLET PRESSURE (WST5)                  | 100 PSI (689kPa)  |
| INLET PRESSURE (WST5X)                 | 15 PSI (103kPa)   |
| CASING WORKING PRESSURE (WST5)         | 165 PSI (1137kPa) |
| CASING WORKING PRESSURE (WST5X)        | 60 PSI (413kPa)   |

**MATERIALS OF CONSTRUCTION**

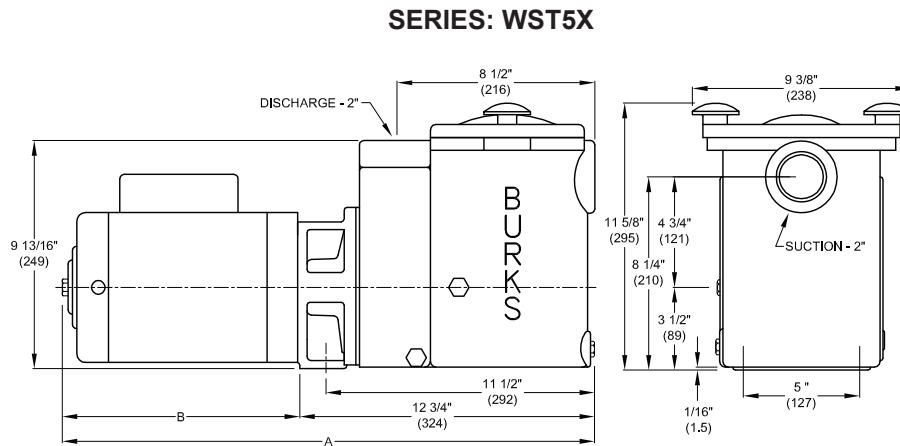
| PART            | CAST IRON                  | BRONZE FITTED |
|-----------------|----------------------------|---------------|
| Adapter         | Cast Iron                  | Cast Iron     |
| Case            | Cast Iron                  | Cast Iron     |
| Diffuser        | Cast Iron                  | Cast Iron     |
| Impeller        | Cast Iron                  | Bronze        |
| Shaft           | Stainless                  | Stainless     |
| Shaft Seal      | Carbon-Ceramic SS - Buna-N |               |
| Suction Sleeve  | Buna-N                     | Buna-N        |
| Strainer Gasket | Buna-N                     | Buna-N        |
| Strainer Basket | Stainless                  | Stainless     |
| All Plugs       | Brass                      | Brass         |

## Close Coupled Self Priming Pumps



| DIMENSIONS IN INCHES AND MILLIMETERS |       |                 |               |              |               |              |
|--------------------------------------|-------|-----------------|---------------|--------------|---------------|--------------|
| CATALOG NUMBER                       | HP    | MOTOR           | SINGLE PHASE  |              | THREE PHASE   |              |
|                                      |       |                 | A             | B            | A             | B            |
| X5WST5                               | 1/2   | Explosion Proof | 19 1/8 (485)  | 11 1/4 (285) | 17 7/8 (454)  | 10 (254)     |
| X7WST5                               | 3/4   | Explosion Proof | 19 9/16 (492) | 11 1/2 (292) | 18 7/8 (479)  | 11 (279)     |
| X10WST5                              | 1     | Explosion Proof | 20 3/8 (517)  | 12 1/2 (317) | 18 7/8 (479)  | 11 (279)     |
| X15WST5                              | 1 1/2 | Explosion Proof | 20 7/8 (530)  | 13 (330)     | 19 9/16 (492) | 11 1/2 (292) |
| X20WST5                              | 2     | Explosion Proof | 22 (558)      | 14 1/8 (358) | 20 3/8 (517)  | 12 1/2 (317) |
| X20WST5A                             | 2     | Explosion Proof | 22 (558)      | 14 1/8 (358) | 20 3/8 (517)  | 12 1/2 (317) |

All models have 2" NPT suction and discharge.



| DIMENSIONS IN INCHES AND MILLIMETERS |       |                 |              |              |              |              |
|--------------------------------------|-------|-----------------|--------------|--------------|--------------|--------------|
| CATALOG NUMBER                       | HP    | MOTOR           | SINGLE PHASE |              | THREE PHASE  |              |
|                                      |       |                 | A            | B            | A            | B            |
| X5WST5X                              | 1/2   | Explosion Proof | 24 (609)     | 11 1/4 (285) | 22 3/4 (577) | 10 (254)     |
| X7WST5X                              | 3/4   | Explosion Proof | 24 1/4 (615) | 11 1/2 (292) | 23 3/4 (603) | 11 (279)     |
| X10WST5X                             | 1     | Explosion Proof | 25 1/4 (641) | 12 1/2 (317) | 23 3/4 (603) | 11 (279)     |
| X15WST5X                             | 1 1/2 | Explosion Proof | 25 3/4 (654) | 13 (330)     | 24 1/4 (615) | 11 1/2 (292) |
| X20WST5X                             | 2     | Explosion Proof | 26 7/8 (682) | 14 1/8 (358) | 25 1/4 (641) | 12 1/2 (317) |
| X20WST5AX                            | 2     | Explosion Proof | 26 7/8 (682) | 14 1/8 (358) | 25 1/4 (641) | 12 1/2 (317) |

All models have 2" NPT suction and discharge.

**DO NOT USE FOR CONSTRUCTION PURPOSES. CERTIFIED DRAWINGS AVAILABLE ON REQUEST**

**Centrifugals - Self-Priming**



**NOTE:** Impeller must extend from face of frame as follows:  
Pumps with  
20405 Diffuser - 33/64"  
20405-1 Diffuser - 9/32"  
20406 Diffuser - 15/64"  
Shim washers (Symbol 15) may be added or removed as required to obtain dimensions.

| 1 - MOTORS   |                |     | HP |
|--|----------------|-----|----|
| RPM & PHASE  | PART NUMBER    |     |    |
| <b>FOR WT5 &amp; WPT5 (Std) SERIES<br/>OPEN DRIP PROOF</b> |                |     |    |
| 3500 RPM<br>Single Phase<br>(ODP)                          | 005-211-371-02 | 1/2 |    |
|  | 007-211-371-02 | 3/4 |    |
|  | 010-211-371-02 | 1   |    |
|  | 015-211-371-02 | 1½  |    |
|  | 020-211-371-02 | 2   |    |
|  | 030-215-371-02 | 3   |    |
| 3500 RPM<br>Three Phase<br>(ODP)                           | 005-230-371-02 | 1/2 |    |
|  | 007-230-371-02 | 3/4 |    |
|  | 010-230-371-02 | 1   |    |
|  | 015-230-371-02 | 1½  |    |
|  | 020-230-371-02 | 2   |    |
|  | 030-230-371-02 | 3   |    |
| <b>FOR WST5 (Std) SERIES<br/>EXPLOSION PROOF</b>           |                |     |    |
| 3500 RPM<br>Single Phase<br>(XP)                           | 005-211-374-02 | 1/2 |    |
|  | 007-211-374-02 | 3/4 |    |
|  | 010-211-374-02 | 1   |    |
|  | 015-211-374-02 | 1½  |    |
|  | 020-211-374-02 | 2   |    |
| 3500 RPM<br>Three Phase<br>(XP)                            | 005-230-364-02 | 1/2 |    |
|  | 007-230-364-02 | 3/4 |    |
|  | 010-230-364-02 | 1   |    |
|  | 015-230-364-02 | 1½  |    |
|  | 020-230-364-02 | 2   |    |

**Centrifugals - Self-Priming**

| SYMBOL NUMBER         | PART NUMBER | QTY | DESCRIPTION   |
|-----------------------|-------------|-----|---|
| ◆ 9                   | 08507       | 1   | Flat Gasket   |
|                       | 22021       | 1   | O-Ring - Buna-N, WT5 & WST5 (Std)   |
|                       | 22020       | 1   | O-Ring - Viton, WPT5 (Std)  |
|                       | 22133       | 1   | O-Ring - EPDM**   |
|                       | 22102       | 1   | O-Ring - Teflon   |
| 10                    | 09453       | 2   | Pin   |
| 11                    | 20405       | 1   | Diffuser - 20WPT5A & 320WPT5A<br>30WPT5A & 330WPT5A<br>X20WST5A & X320WST5A |
| 12                    | 20405-1     | 1   | Diffuser - 5WPT5 & 35WPT5   |
|                       | 20406       | 1   | Diffuser - All except above   |
|                       | 04231       | 1   | Suction Sleeve - Buna-N, WT5 & WST5 (Std)                                   |
| 13                    | 09695       | 1   | Suction Sleeve - Viton, WPT5 (Std)  |
|                       | 20285       | 1   | Suction Sleeve - EPT**  |
|                       | 20295       | 1   | Case  |
| 14                    | 04236       | 2   | Plug 1/4-18 NPT   |
| 15                    | 20628       | 1   | Washer, 1/16 - 7WPT5 & 37WPT5   |
| 15                    | 08542-A     | A/R | Washer, .032"   |
|                       | 20294       | A/R | Washer, .010"   |
|                       | 20497       | A/R | Washer, .005"   |
| <b>ALL IRON PARTS</b> |             |     |   |
| 5                     |             | 1   | Impeller (Omit Letter A)  |
| 14                    | 04236-A     | 2   | Plug, 1/4-18 NPT  |

(\*) WT5, WPT5 & WST5 Series pumps have been manufactured with either cast iron or bronze impellers as standard. All replacement impellers will be bronze as listed, unless iron is specified. For iron impellers, omit the letter "A" from part number. EXAMPLE: 20409-8.

(\*\*) For hot water or caustic service.

(◆) Series WT5, WPT5 & WST5 pumps have been manufactured with either a flat or O-ring type gasket. Determine which type is required before ordering. When in doubt, order flat gasket.

| SYMBOL NUMBER                           | PART NUMBER                             | QTY               | DESCRIPTION  |  |
|---|---|-------------------|--|--|
| 2                                       | 08105                                   | 1                 | Slinger Washer   |  |
| 3                                       | 08514                                   | 1                 | Mechanical Seal - Buna-N (Std)   |  |
|   | 09762                                   | 1                 | Mechanical Seal - Viton  |  |
|   | 20764-C                                 | 1                 | Mechanical Seal - EPT**  |  |
|   | 01928                                   | 4                 | Cap Screw 3/8 x 1" Lg  |  |
| <b>FOR SERIES WT5, 1 &amp; 3 PHASE</b>  |   |                   |  |  |
| * 5                                     | 20409-A-8                               | 1                 | Impeller, 5WPT5  |  |
|   | 20409-A-2                               | 1                 | Impeller, 7WPT5  |  |
|   | 20409-A-4                               | 1                 | Impeller, 10WPT5   |  |
|   | 20409-A-1                               | 1                 | Impeller, 15WPT5   |  |
|   | 20409-A                                 | 1                 | Impeller, 20WPT5   |  |
|   | 20408-A                                 | 1                 | Impeller, 20WPT5A  |  |
|   | <b>FOR SERIES WPT5, 1 &amp; 3 PHASE</b> |                   |  |  |
|   | 20407-A                                 | 1                 | Impeller, 5WPT5  |  |
|   | 20409-A-6                               | 1                 | Impeller, 7WPT5  |  |
|   | 20409-A-5                               | 1                 | Impeller, 10WPT5   |  |
| 20409-A-2                               | 1                                       | Impeller, 15WPT5  |  |  |
| 20409-A-4                               | 1                                       | Impeller, 20WPT5  |  |  |
| 20409-A                                 | 1                                       | Impeller, 20WPT5A |  |  |
| 20408-A                                 | 1                                       | Impeller, 30WPT5A |  |  |
| <b>FOR SERIES WST5, 1 &amp; 3 PHASE</b> |   |                   |  |  |
| 6                                       | 20409-A-7                               | 1                 | Impeller, X5WST5   |  |
|   | 20409-A-5                               | 1                 | Impeller, X7WST5   |  |
|   | 20409-A-2                               | 1                 | Impeller, X10WST5  |  |
|   | 20409-A-1                               | 1                 | Impeller, X15WST5  |  |
|   | 20409-A                                 | 1                 | Impeller, X20WST5  |  |
|   | 20408-A                                 | 1                 | Impeller, X20WST5A   |  |
| 7                                       | 20459                                   | 1                 | Impeller Lock Nut  |  |
| 8                                       | 04235                                   | 4                 | Cap Screw 3/8 x 1 1/4  |  |
| 8                                       | 20245                                   | 1                 | Adapter - 20WPT5A & 320WPT5A<br>5WPT5 & 35WPT5<br>30WPT5A & 330WPT5A<br>X20WST5A & X320WST5A |  |
|   | 20245-1                                 | 1                 | Adapter - All except above   |  |

**WARNING:**  
CANCER AND REPRODUCTIVE HARM -  
WWW.P65WARNINGS.CA.GOV

