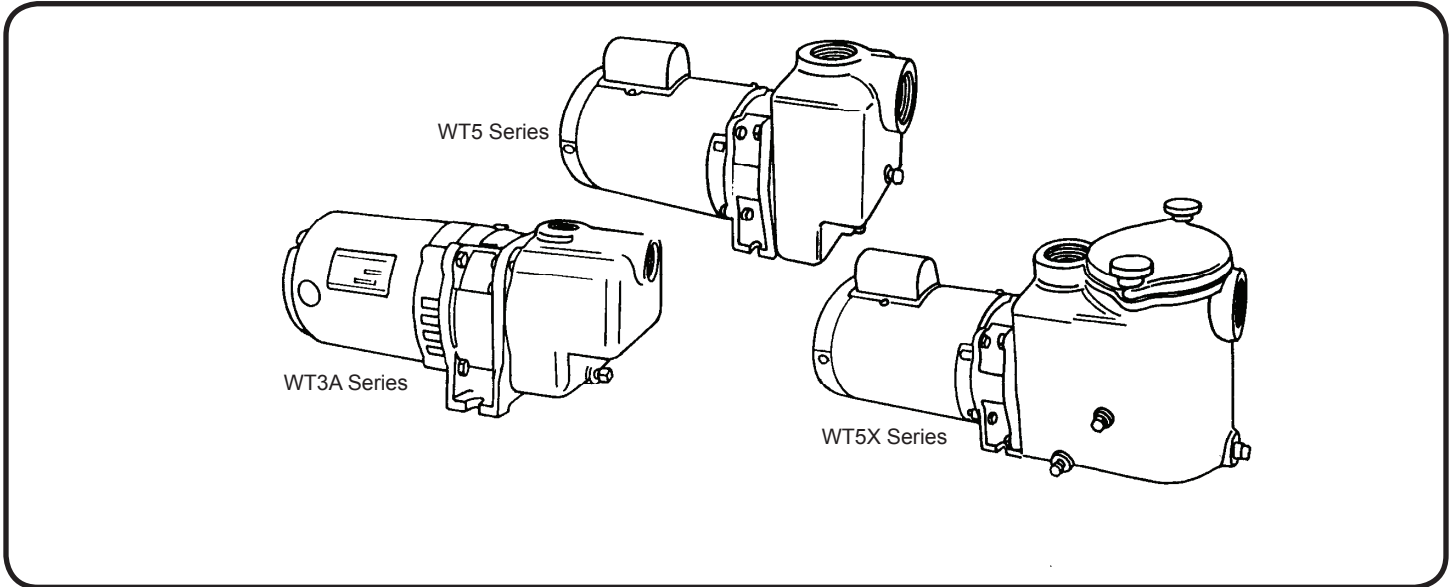


Close Coupled Self Priming Pumps



| 60 Hz - PERFORMANCE AND SELECTION 1.00 S.G. FLUIDS | | | | | | | | | | | | |
|--|---------|-----|----------|--------|--|------------|----------|------------|----------|-------------|-------------|--|
| Catalog No.* | | HP | Tappings | | Capacity in GPM (LPS) - Total Head Feet (Meters) | | | | | | | |
| 1 Phase | 3 Phase | | Suct. | Disch. | 10' (3m) | 15' (4.5m) | 20' (6m) | 25' (7.6m) | 30' (9m) | 35' (10.6m) | 38' (11.5m) | |
| A3WT3A | 33WT3A | 1/3 | 1" | 1" | 42 (2.6) | 40 (2.5) | 37 (2.3) | 33 (2.0) | 26 (1.6) | 17 (1.0) | 9 (0.5) | |

| Catalog No. ** | Catalog No. w/ Strainer** | HP | Tappings | | Capacity in GPM (LPS) - Total Head Feet (Meters) | | | | | | | | |
|----------------|---------------------------|-----|----------|--------|--|-----------|-----------|-----------|-----------|-----------|-----------|-----------|-----------|
| | | | Suct. | Disch. | 10' (3m) | 20' (6m) | 30' (9m) | 40' (12m) | 50' (15m) | 60' (18m) | 70' (21m) | 80' (24m) | 90' (27m) |
| 5WT5 | 5WT5X | 1/2 | 2" | 2" | 55 (3.4) | 49 (3.0) | 43 (2.7) | 37 (2.3) | 30 (1.8) | 21 (1.3) | 10 (0.6) | --- | --- |
| 7WT5 | 7WT5X | 3/4 | | | 72 (4.5) | 70 (4.4) | 66 (4.1) | 61 (3.8) | 52 (3.2) | 40 (2.5) | 24 (1.5) | --- | --- |
| 10WT5 | 10WT5X | 1 | | | 81 (5.1) | 79 (4.9) | 76 (4.7) | 72 (4.5) | 65 (4.1) | 54 (3.4) | 40 (2.5) | 20 (1.2) | --- |
| 15WT5 | 15WT5X | 1½ | | | 86 (5.4) | 86 (5.4) | 84 (5.2) | 80 (5.0) | 75 (4.7) | 67 (4.2) | 54 (3.4) | 38 (2.3) | 18 (1.1) |
| 20WT5 | 20WT5X | 2 | | | 94 (5.9) | 93 (5.8) | 92 (5.8) | 89 (5.6) | 85 (5.3) | 78 (4.9) | 67 (4.2) | 50 (3.1) | 30 (1.8) |
| 20WT5A | 20WT5AX | 2 | | | 140 (8.8) | 140 (8.8) | 132 (8.3) | 119 (7.5) | 99 (6.2) | --- | --- | --- | --- |

(**) Catalog numbers are for units with single phase motors. For three phase, add prefix, "3". Example: 35WT5X.

(*) Maximum suction lift on WT3A - 7ft.
Maximum suction lift on WT5 series - 20ft.

For Water and Other 1.00 S.G. Fluids

3500 RPM - 60 Hz.

Close Coupled Self Priming Pumps



- Compact, Close-Coupled Design
- Rugged Bronze-Fitted Cast Iron Construction
- Leakproof Mechanical Shaft Seal
- Non-Clogging, Bronze Semi-Open Impeller
- Stainless Steel Shaft
- Back Pull-Out Design For Easy Servicing
- Available With or Without Built-In Basket Type Strainer
- Self-Priming, Once Case is Filled With Fluid
- Diaphragms, Flappers or Check Valves Are Not Required In Pump Suction Piping. But Are Recommended
- EVERY pump is factory tested and will meet Hydraulic Institute standards.

MOTOR INFORMATION

WT3A Series have NEMA Jet Pump Motors. WT5 & WT5X Series have rugged Swimming Pool type motors with oversize ball/ball bearing construction. All motors have open-drip proof construction and are rated with standard NEMA Jet Pump service factors for continuous duty operation at all ratings shown. Voltages may differ from some suppliers. Consult factory. Overload Protection: All single phase motors have built-in overload protection. All three phase motors must be installed with a magnetic starter which provides full 3-leg protection. Failure to use correct starter and overloads will void motor warranty. All Single Phase Open Drip Proof Motors Are U.L. Recognized.

RATINGS

A3WT3A-1/3 HP, Single Phase, 115V, 60Hz, 3500RPM, ODP, Split Phase.
 3WT3A-1/3 HP, Single Phase, 115/230V, 60Hz, 3500RPM, ODP, Capacitor Start.
 33WT3A-1/3 HP, Three Phase, 230/460V, 60Hz, 3500RPM, ODP
 WT5 & WT5X Series: Single Phase: 1/2 thru 2HP, 115/230V, 60HZ, 3500RPM, ODP, Capacitor Start.
 Three Phase: 1/2 thru 2HP, 230/460V, 60HZ, 3500RPM, ODP.

MAXIMUM OPERATING CONDITIONS

| | |
|--|-------------------|
| TEMPERATURE (For Standard Buna-N Seal) | 225°F (107°C) |
| INLET PRESSURE (WT3 & WT5) | 100 PSI (689kPa) |
| INLET PRESSURE (WT5X) | 15 PSI (103kPa) |
| CASING WORKING PRESSURE (WT3 & WT5) | 165 PSI (1137kPa) |
| CASING WORKING PRESSURE (WT5X) | 60 PSI (413kPa) |

MATERIALS OF CONSTRUCTION

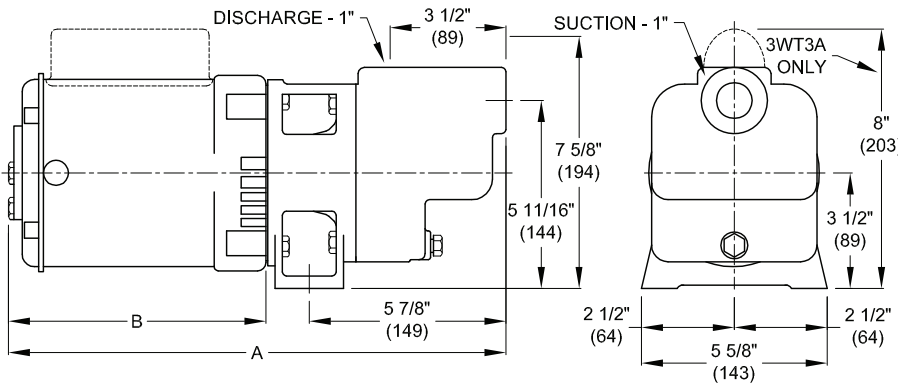
| PART | CAST IRON | BRONZE FITTED |
|-----------------|----------------------------|---------------|
| Adapter | Cast Iron | Cast Iron |
| Case | Cast Iron | Cast Iron |
| Diffuser | Cast Iron | Cast Iron |
| Impeller | Cast Iron | Bronze |
| Shaft | Stainless | Stainless |
| Shaft Seal | Carbon-Ceramic SS - Buna-N | |
| Suction Sleeve | Buna-N | Buna-N |
| Strainer Gasket | Buna-N | Buna-N |
| Strainer Basket | Stainless | Stainless |
| All Plugs | Brass | Stainless |



WARNING:
 CANCER AND REPRODUCTIVE HARM -
 WWW.P65WARNINGS.CA.GOV

Close Coupled Self Priming Pumps

SERIES: WT3A

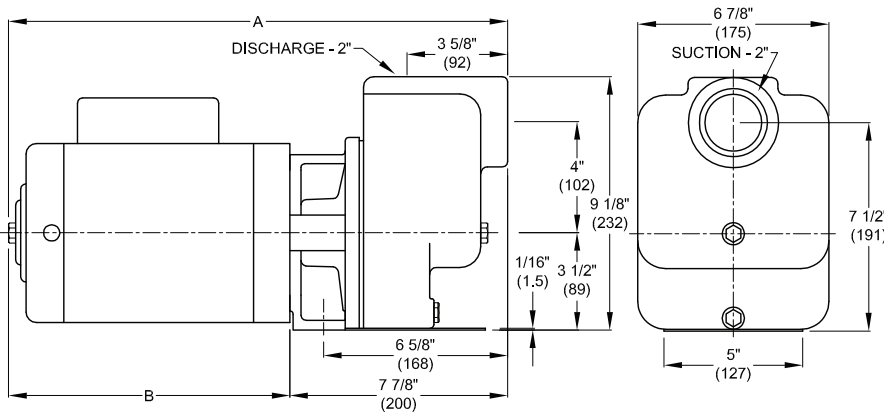


| DIMENSIONS IN INCHES | | | | |
|----------------------|--------------------------------|-------------------------------|--------------------------------|-------------------------------|
| CATALOG NUMBER | SINGLE PHASE | | THREE PHASE | |
| | A | B | A | B |
| A3WT3A | 15 | 7 ¹ / ₈ | --- | --- |
| 3WT3A | 15 ¹ / ₂ | 8 ³ / ₈ | --- | --- |
| 33WT3A | --- | --- | 15 ¹ / ₂ | 8 ³ / ₈ |

| DIMENSIONS IN MILLIMETERS | | | | |
|---------------------------|--------------|-----|-------------|-----|
| CATALOG NUMBER | SINGLE PHASE | | THREE PHASE | |
| | A | B | A | B |
| A3WT3A | 381 | 200 | --- | --- |
| 3WT3A | 393 | 212 | --- | --- |
| 33WT3A | --- | --- | 393 | 212 |

All models have 1" NPT suction and discharge.

SERIES: WT5

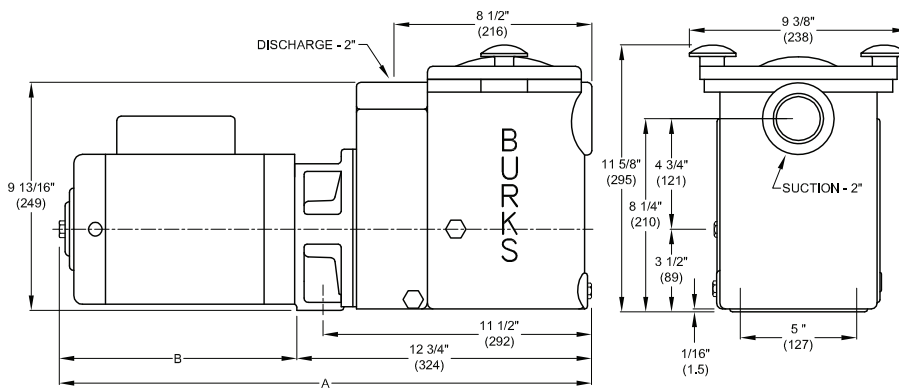


| DIMENSIONS IN INCHES | | | | |
|----------------------|--------------------------------|--------------------------------|--------------------------------|-------------------------------|
| CATALOG NUMBER | SINGLE PHASE | | THREE PHASE | |
| | A | B | A | B |
| 5WT5 | 15 ⁷ / ₈ | 8 | 15 ⁵ / ₈ | 7 ³ / ₄ |
| 7WT5 | 16 ⁷ / ₈ | 9 | 16 ⁷ / ₈ | 9 |
| 10WT5 | 17 ¹ / ₄ | 9 ³ / ₈ | 16 ⁷ / ₈ | 9 |
| 15WT5 | 18 | 10 ¹ / ₈ | 16 ⁷ / ₈ | 9 |
| 20WT5 | 18 | 10 ¹ / ₈ | 17 ¹ / ₄ | 9 ³ / ₈ |
| 20WT5A | 18 | 10 ¹ / ₈ | 17 ¹ / ₄ | 9 ³ / ₈ |

| DIMENSIONS IN MILLIMETERS | | | | |
|---------------------------|--------------|-----|-------------|-----|
| CATALOG NUMBER | SINGLE PHASE | | THREE PHASE | |
| | A | B | A | B |
| 5WT5 | 403 | 203 | 396 | 196 |
| 7WT5 | 428 | 228 | 428 | 228 |
| 10WT5 | 438 | 238 | 428 | 228 |
| 15WT5 | 457 | 257 | 428 | 228 |
| 20WT5 | 457 | 257 | 438 | 238 |
| 20WT5A | 457 | 257 | 438 | 238 |

All models have 2" NPT suction and discharge.

SERIES: WT5X



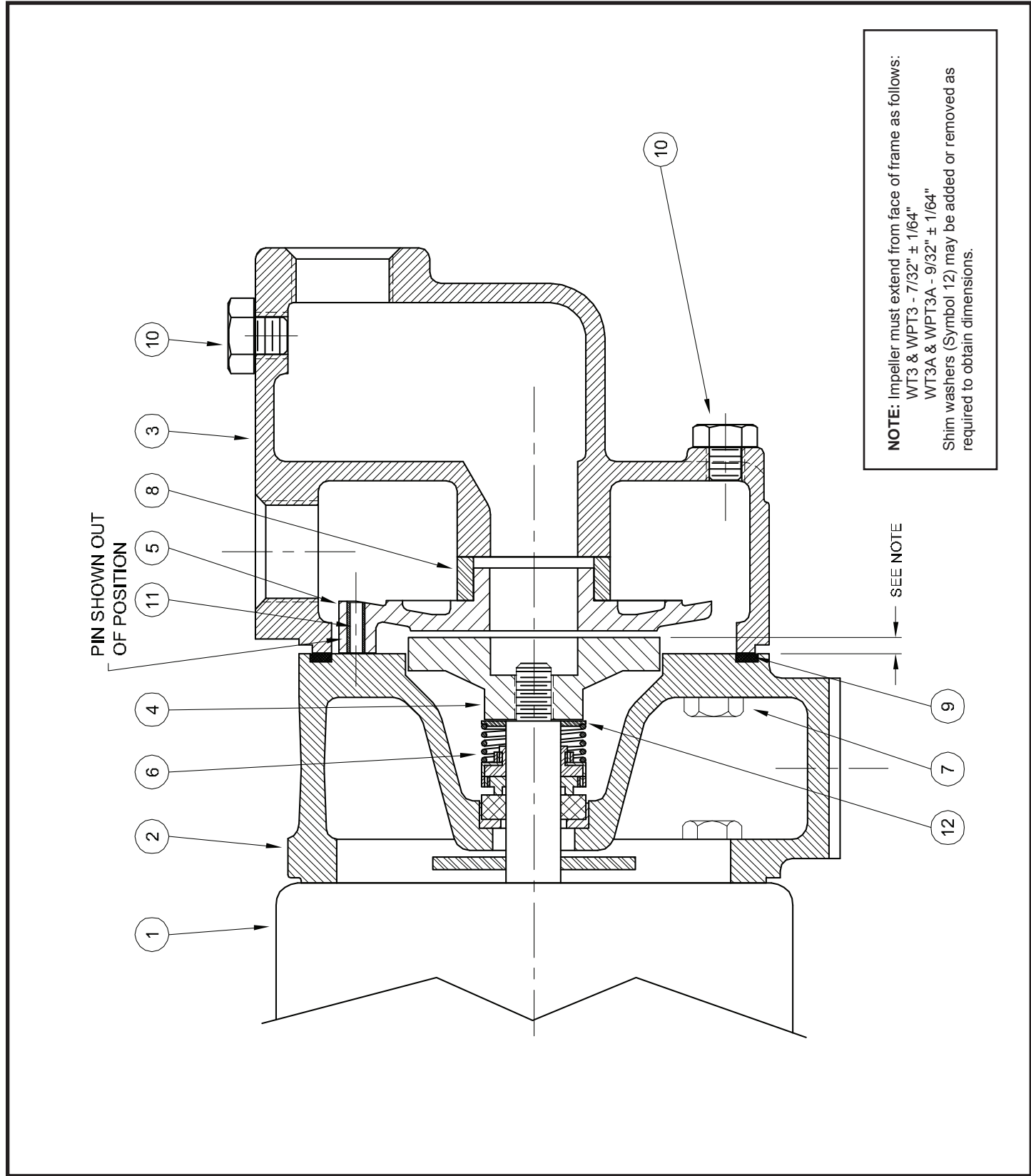
| DIMENSIONS IN INCHES | | | | |
|----------------------|--------------------------------|--------------------------------|--------------------------------|-------------------------------|
| CATALOG NUMBER | SINGLE PHASE | | THREE PHASE | |
| | A | B | A | B |
| 5WT5X | 20 ³ / ₄ | 8 | 20 ¹ / ₂ | 7 ³ / ₄ |
| 7WT5X | 21 ¹ / ₄ | 9 | 21 ¹ / ₄ | 9 |
| 10WT5X | 22 ¹ / ₈ | 9 ³ / ₈ | 21 ¹ / ₄ | 9 |
| 15WT5X | 22 ⁷ / ₈ | 10 ¹ / ₈ | 21 ¹ / ₄ | 9 |
| 20WT5X | 22 ⁷ / ₈ | 10 ¹ / ₈ | 22 ¹ / ₈ | 9 ³ / ₈ |
| 20WT5AX | 22 ⁷ / ₈ | 10 ¹ / ₈ | 22 ¹ / ₈ | 9 ³ / ₈ |

| DIMENSIONS IN MILLIMETERS | | | | |
|---------------------------|--------------|-----|-------------|-----|
| CATALOG NUMBER | SINGLE PHASE | | THREE PHASE | |
| | A | B | A | B |
| 5WT5X | 527 | 203 | 520 | 196 |
| 7WT5X | 552 | 228 | 552 | 228 |
| 10WT5X | 561 | 238 | 552 | 228 |
| 15WT5X | 581 | 257 | 552 | 228 |
| 20WT5X | 581 | 257 | 561 | 238 |
| 20WT5AX | 581 | 257 | 561 | 238 |

All models have 2" NPT suction and discharge.

DO NOT USE FOR CONSTRUCTION PURPOSES. CERTIFIED DRAWINGS AVAILABLE ON REQUEST

Centrifugals - Self-Priming



NOTE: Impeller must extend from face of frame as follows:
 WT3 & WPT3 - 7/32" ± 1/64"
 WT3A & WPT3A - 9/32" ± 1/64"
 Shim washers (Symbol 12) may be added or removed as required to obtain dimensions.

PIN SHOWN OUT OF POSITION

SEE NOTE

Centrifugals - Self-Priming

| SYMBOL NUMBER | PART NUMBER | QTY | DESCRIPTION |
|-----------------------|-------------|-----|----------------------|
| 10 | 04236 | 2 | Plug, 1/4-18 NPT |
| 11 | 20101 | 2 | Roll Pin, 3/16x 3/4 |
| 12 | 20294 | A/R | Shim Washer - .010" |
| | 08542-A | A/R | Shim Washer - .031" |
| | 20628 | A/R | Shim Washer - .062" |
| Not Shown | 21181-C | 1 | Lock Washer, 3 Phase |
| | 21182 | 1 | Lock Screw, 3 Phase |
| ALL IRON PARTS | | | |
| 4 | 20097 | 1 | Impeller |
| | 20409-3 | 1 | Impeller |
| 10 | 04236-A | 2 | Plug |
| Not Shown | 21181-A | 1 | Lock Washer, 3 Phase |

(*) Series WT & WPT pumps have been manufactured with either cast iron or bronze impellers as standard. All replacement impellers will be bronze as listed, unless iron is specified.
For iron impellers, omit the letter "A" from part number. EXAMPLE: 20409-3.

| SYMBOL NUMBER | PART NUMBER | QTY | DESCRIPTION |
|---------------|----------------|-----|---------------------------------|
| 1 | 003-211-371-02 | 1 | Motor, 1/3HP, 115 Volt, 1Ph |
| | 003-230-361-02 | 1 | Motor, 1/3HP, 115/230 Volt, 1Ph |
| | | 1 | Motor, 1/3HP, 230/460 Volt, 3Ph |
| 2 | 20095 | 1 | Adapter - WT3, WPT3 |
| | 20095-1 | 1 | Adapter - WT3A, WPT3A |
| 3 | 20096 | 1 | Case |
| | 20096-1 | 1 | Case w/Priming Hole |
| * 4 | 20097-A | 1 | Impeller - WT3, WPT3 |
| | 20409-A-3 | 1 | Impeller - WT3A, WPT3A |
| 5 | 20098 | 1 | Diffuser - WT3, WPT3 |
| | 20098-1 | 1 | Diffuser - WT3A, WPT3A |
| 6 | 09762 | 1 | Mechanical Seal - Viton, WPT |
| | 08514 | 1 | Mechanical Seal - Buna-N, WT |
| 7 | 01928 | 8 | Cap Screw, 3/8-1" Lg |
| 8 | 20099 | 1 | Suction Sleeve - Viton, WPT |
| | 20535 | 1 | Suction Sleeve - Buna-N, WT |
| 9 | 20100 | 1 | Gasket, case to adapter |

WARNING:
CANCER AND REPRODUCTIVE HARM -
WWW.P65WARNINGS.CA.GOV

