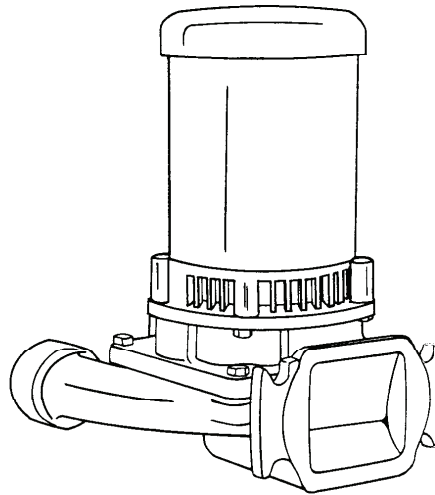


## Condensate Pumps



Ideal for OEM applications requiring a pump with inlet flange for mounting to tank or other vessel.

Flanged and gasketed inlet will adapt to any flat mounting surface.

Pump may be installed vertically or horizontally.

May be used as replacement pump on Burks Series GV Condensate Return Systems.

1/3 thru 3 hp - seven stock sizes.

Capacities to 80 GPM (5 L.P.S.) - Heads to 130 feet (39.6M).

Efficient hydraulic design.

Enclosed bronze impeller threaded onto stainless steel motor shaft.

Impeller balanced for smooth, quiet operation.

Replaceable bronze casing wear ring.

Back pull-out design allows servicing without disturbing piping. Pump casing stays in place.

Mechanical shaft seal is self-adjusting - for temperatures to 225°F (107°C) and pressures to 150 PSI (1034kpa).

Special seals available for higher temperatures and fluids other than water.

Tappings provided for venting and flushing seal area.

Bronze fitted, close grain cast iron construction is standard. All Iron available.

ODP motors are standard. Drip cover provided for vertical installation.

EVERY pump is factory tested.



**WARNING:**

CANCER AND REPRODUCTIVE HARM -  
WWW.P65WARNINGS.CA.GOV

Features and Dimensions

**Condensate Pumps**

MAXIMUM OPERATING CONDITIONS	
TEMPERATURE (For Standard Buna-N Seal)	225°F (107°C)
INLET PRESSURE	100 PSI (690 kpa)
CASE WORKING PRESSURE	200 PSI (1379 kpa)

**MOTORS**

Standard pump motors have open drip proof construction and are rated with jet pump service factors for continuous duty operation. Open Drip Proof motors are 56 frame size with NEMA standard mounting flange, one piece threaded stainless steel shaft and ball bearing construction.

**MOTOR INFORMATION**

60 Hz - 3500 RPM - ODP  
50 Hz - 2900 RPM - ODP

**Single Phase:** 1/3 thru 2Hp - 115/230 Volt.  
3Hp is 230 Volt only

**Three Phase:** 1/3 thru 3 Hp - 230/460 Volt.

Voltages may differ from some suppliers. Consult factory.

**OVERLOAD PROTECTION:**

All single phase ODP and Totally Enclosed motors have built-in

overload protection. All three phase motors and all explosion proof motors must be installed with a magnetic starter which provides full 3-leg protection. Failure to use correct starter and overloads will void motor warranty.

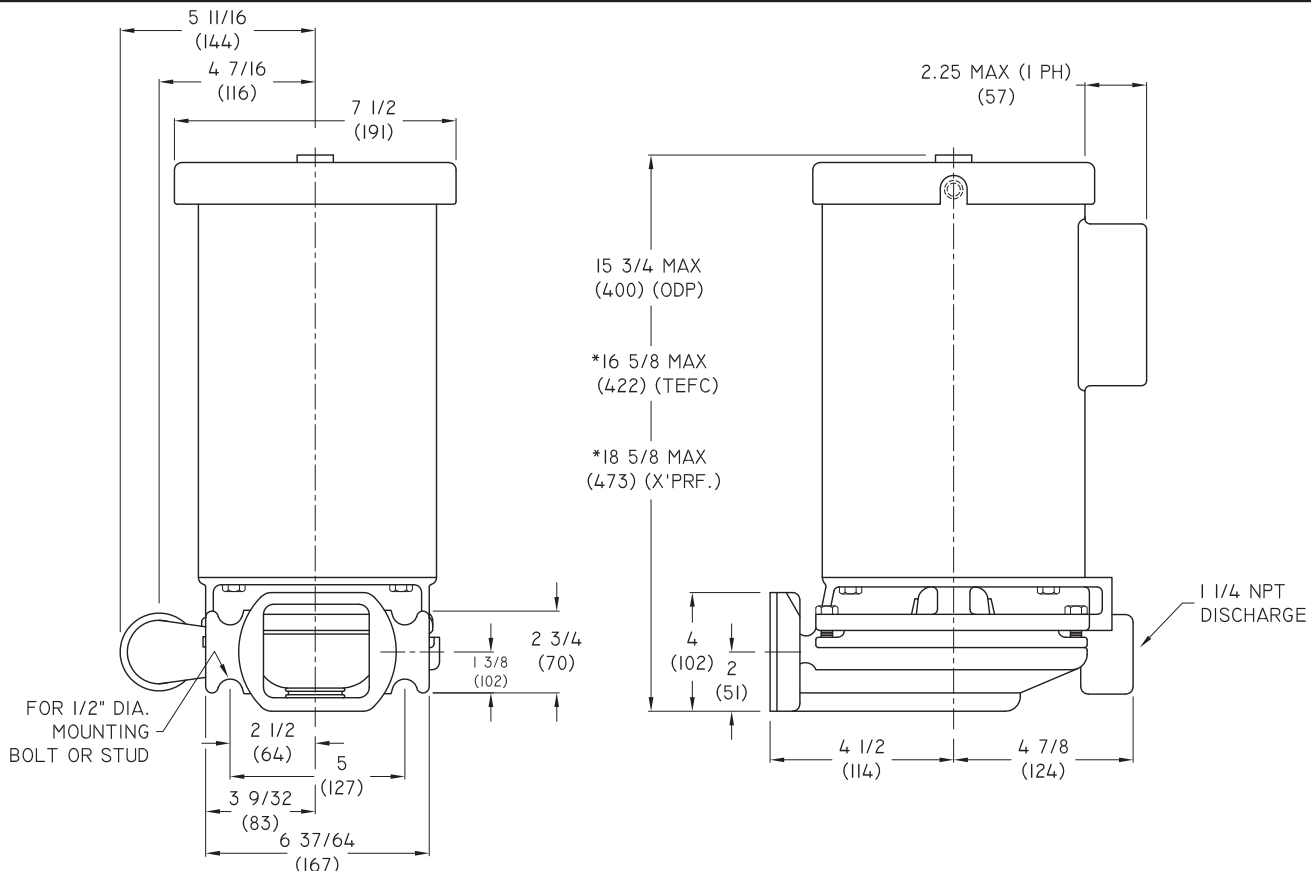
MATERIALS OF CONSTRUCTION		
PART	ALL IRON	BRONZE FITTED
Adapter	Cast Iron	Cast Iron
Casing	Cast Iron	Cast Iron
Shaft	#303 Stainless	#303 Stainless
Impeller	Cast Iron	Bronze
Wear Ring	Steel	Bronze
Shaft Seal	Carbon-Ceramic S. Steel-Buna-N	Carbon-Ceramic S. Steel-Buna-N

Series GV6-11/4 pumps are not available with 3 HP Single Phase TEFC motors.

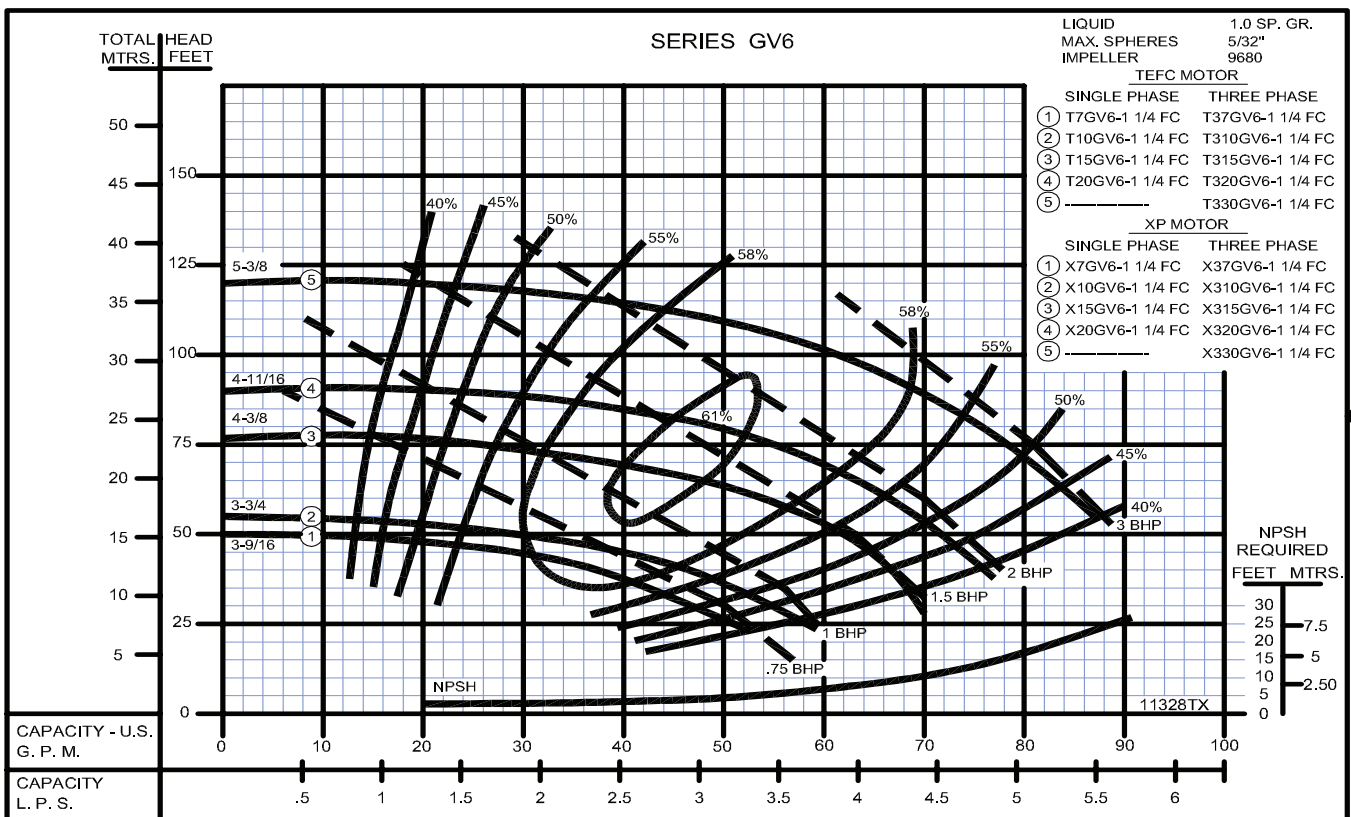
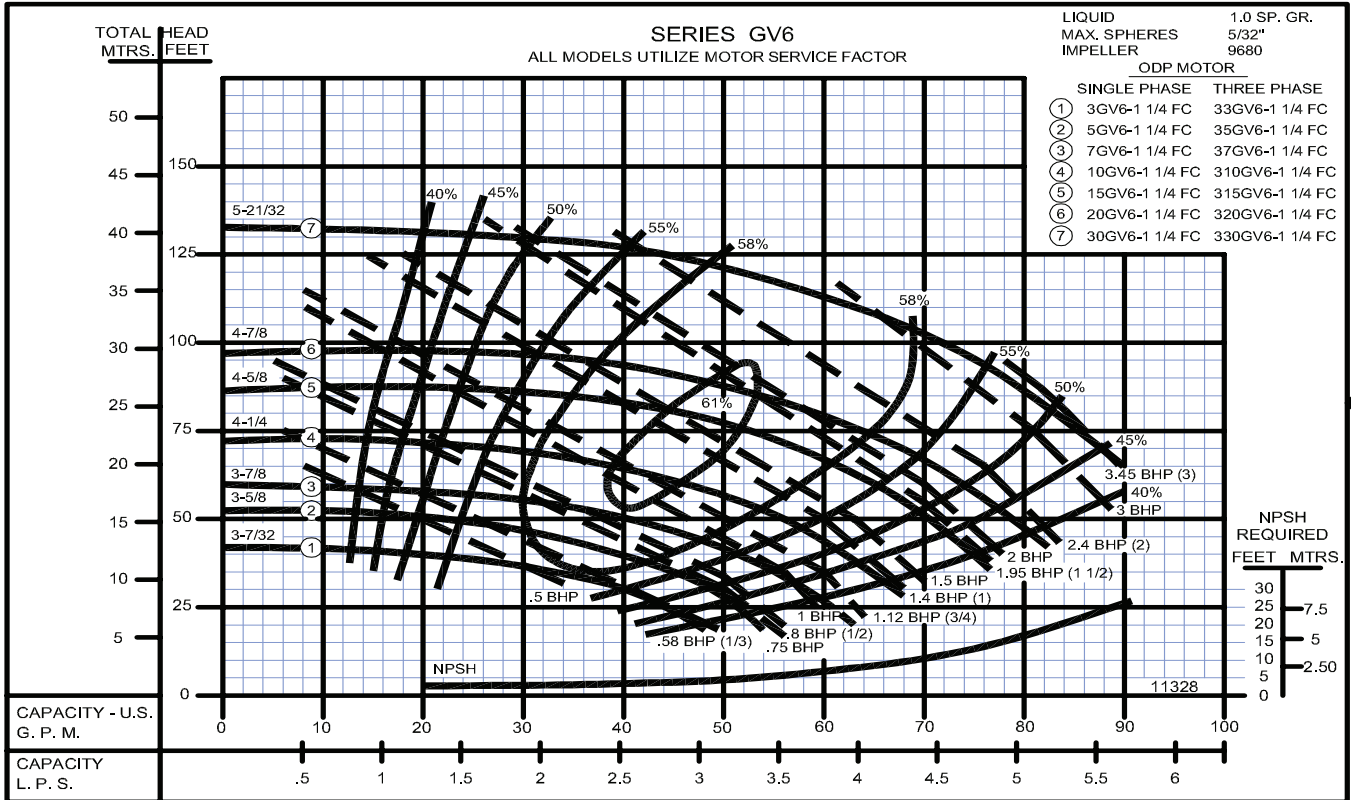


**WARNING:**

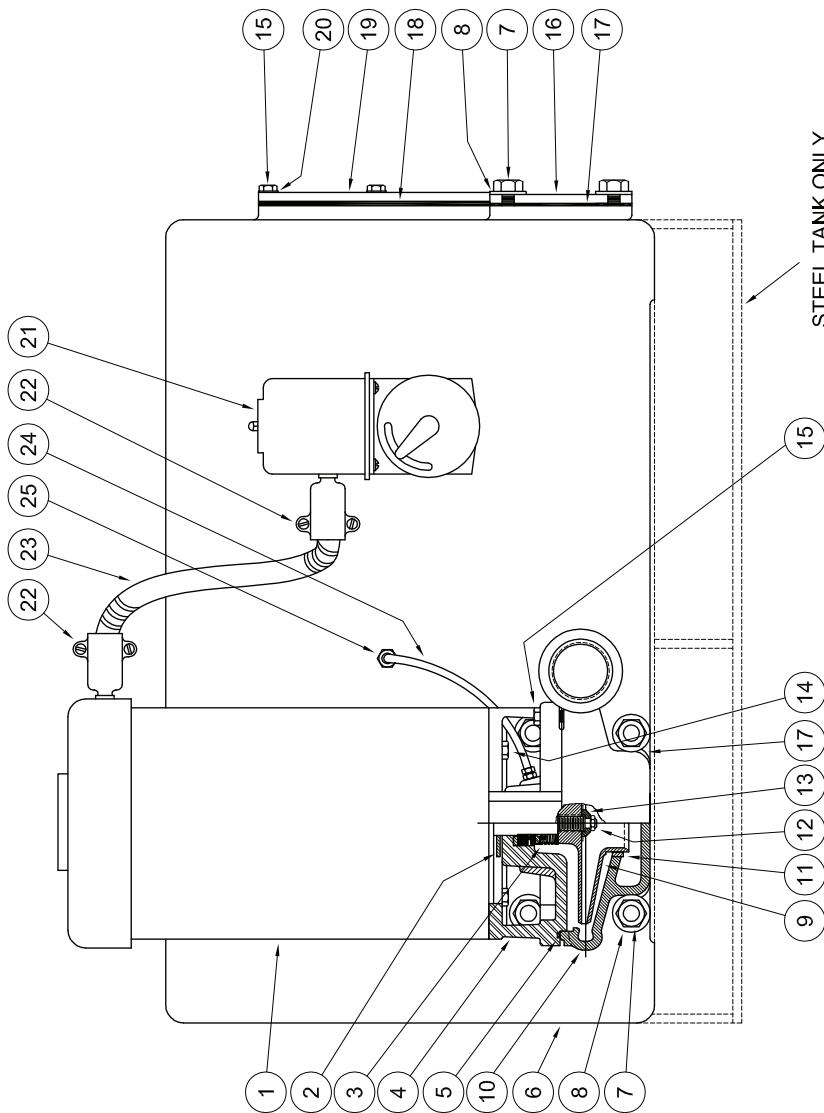
CANCER AND REPRODUCTIVE HARM -  
WWW.P65WARNINGS.CA.GOV



**Condensate Pumps**



**Condensate Return Systems**



1 - MOTORS (All 56J Frame)		HP
RPM & PHASE	PART NUMBER	
<b>OPEN DRIP PROOF</b>		
3500 RPM Single Phase (ODP)	003-211-371-02	1/3
	005-211-371-02	1/2
	007-211-371-02	3/4
	010-211-371-02	1
	015-211-371-02	1½
	020-211-371-02	2
030-215-371-02	3	
3500 RPM Three Phase (ODP)	003-230-361-02	1/3
	005-230-361-02	1/2
	007-230-361-02	3/4
	010-230-361-02	1
	015-230-361-02	1½
	020-230-361-02	2
030-230-361-02	3	
<b>TOTALLY ENCLOSED</b>		
3500 RPM Single Phase (TENV / TEFC)	005-211-372-02	1/2
	007-211-372-02	3/4
	010-211-372-02	1
	015-211-372-02	1½
	020-211-372-02	2
	005-230-362-02	1/2
3500 RPM Three Phase (TENV / TEFC)	007-230-362-02	3/4
	010-230-362D02	1
	015-230-362D02	1½
	020-230-362D02	2
	030-230-362D02	3
	<b>EXPLOSION PROOF</b>	
3500 RPM Single Phase (XP)	005-211-374-02	1/2
	007-211-374-02	3/4
	010-211-374-02	1
	015-211-374-02	1½
	020-211-374-02	2
	005-230-364-02	1/2
3500 RPM Three Phase (XP)	007-230-364-02	3/4
	010-230-364-02	1
	015-230-364-02	1½
	020-230-364-02	2
	030-230-364-02	3

**Condensate Return Systems**

SYMBOL NUMBER	PART NUMBER	QTY	DESCRIPTION
21	22167	1	Float Switch - Simplex
	22166	1	Mech. Alternator - Duplex
	22264	1	Mech. Alternator - Duplex XP
	22266	1	Float Switch - XP Simplex
	22265	1	Float Switch - Watertight Simplex
	22263	1	Mech. Alternator - Watertight Duplex
22	02313		Connector, Conduit - Straight
	01622	A/R	Connector, Conduit - 90°
	01623		Connector, Conduit - 45°
23 24 25	S6518		Conduit (Specify Length)
	22043	A/R	Tube
	21222		Connector
Not Shown	22334	1	Float
	B8283-1-E4	1	Plate, Switch - 20 Gal. Tanks
	B8285-1-L13	1	Gasket, Plate - 20 Gal. Tanks
	A5670-E4	A/R	Flange - 20 Gal. Tanks
	A6579-L6	1	Gasket, Flange - 20 Gal Tanks

SYMBOL NUMBER	PART NUMBER	QTY	DESCRIPTION
2	08105	1	Slinger Washer
3	08514	1	Mechanical Seal - Buna-N
4	09657-1	1	Adapter
5	22021	1	O-ring Gasket - Buna-N
6	22144	1	Receiver Tank - 9 gal, CI
	22145	1	Receiver Tank - 14 gal, CI
	C5555-10-A2	1	Receiver Tank - 20 gal, CI *
	22339	1	Receiver Tank - 23 gal, Steel
	22147	1	Receiver Tank - 36 gal, CI
	22170	1	Receiver Tank - 36 gal, Steel
	22855	1	Receiver Tank - 52 gal, Steel
	22856	1	Receiver Tank - 75 gal, Steel
22857	1	Receiver Tank - 120 gal, Steel	
7	15-13-6	A/R	Nut
8	22234	A/R	Washer
9	09680-3.22	1	Impeller - 3GV6/33GV6
	09680-3.63	1	Impeller - 5GV6/35GV6
	09680-3.88	1	Impeller - 7GV6/37GV6
	09680-4.25	1	Impeller - 10GV6/310GV6
	09680-4.63	1	Impeller - 15GV6/315GV6
	09680-4.88	1	Impeller - 20GV6/320GV6
09680-5.66	1	Impeller - 30GV6/330GV6	
10	22016	1	Casing Assy. (Includes Symbol 11)
11	22019	1	Wear Ring
12	21182	1	Screw, Impeller Lock - 3Ph Only
13	21181-C	1	Washer - 3 Ph
14	03122	4	Cap Screw
15	04235	A/R	Cap Screw
16	22072	1	Cover
17	22018	A/R	Gasket, Pump to Tank
18	04177	1	Gasket - 23 & 36 Gal. Tanks
19	22161	1	Cover - 23 & 36 Gal. Tanks
20	01609-A	6	Washer - 23 & 36 Gal. Tanks

(\*) 23 Gal CI Receiver Part Number 22146 No longer Available.



**WARNING:**  
CANCER AND REPRODUCTIVE HARM -  
WWW.P65WARNINGS.CA.GOV