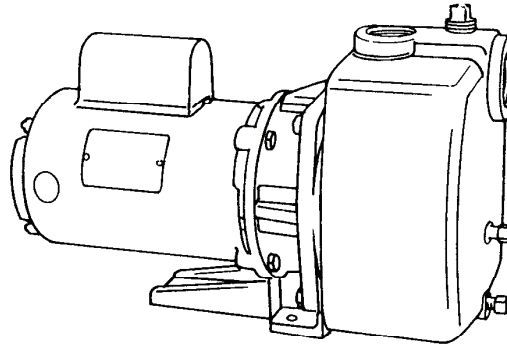


Close Coupled Self Priming Pumps

APPLICATIONS

- Lawn Sprinkling
- Pressure Boosting
- Sprinkler Systems
- Light Irrigation
- Dewatering clean liquids
- Transfer from underground storage



- Fast Priming pumps stays primed. Flapper and check valves on suction pipe are not required, but are recommended.
- Non-overloading performance at all catalog ratings.
- Continuous duty motors.
- Leak Proof mechanical shaft seal - self adjusting
- Cast Iron Casing with suction, discharge, prime, vacuum gauge and drain tappings.
- All Bronze or All Iron construction available.
- Glass filled Noryl® enclosed impeller with molded-in brass insert.
- Every pump is factory tested and will meet Hydraulic Institute standards

Overload Protection: All single phase ODP and TEFC motors must have built-in overload protection. All three phase motors and all explosion proof motors must be installed with a magnetic starter which provides full 3-leg protection. Failure to use correct starter and overloads will void motor warranty.

MATERIALS OF CONSTRUCTION

| PART | STANDARD | ALL IRON | ALL BRONZE |
|------------|-------------------------------|-------------------------------|-------------------------------|
| Adapter | Cast Iron | Cast Iron | Bronze |
| Case | Cast Iron | Cast Iron | Bronze |
| Diffuser | Cast Iron | Cast Iron | Bronze |
| Impeller | Noryl® | Cast Iron | Bronze |
| Shaft | #303 Stainless | #303 Stainless | #303 Stainless |
| Shaft Seal | Carbon-Ceramic SS - Buna-N | Carbon-Ceramic SS - Buna-N | Carbon-Ceramic SS - Buna-N |

MAXIMUM OPERATING CONDITIONS

| | |
|--|-------------------|
| TEMPERATURE (For Standard Noryl Impeller) | 175°F (80°C) |
| INLET PRESSURE | 100 PSI (689kPa) |
| CASING WORKING PRESSURE | 200 PSI (1379kPa) |

MOTOR INFORMATION

60 Hz - 3500 RPM - ODP
 Single Phase: 1 thru 2 Hp - 115/230 Volts; 3 Hp. - 230 Volt
 Three Phase: 1 thru 3 Hp. - 208-230/460 Volt

Voltages may differ from some suppliers. Consult factory.



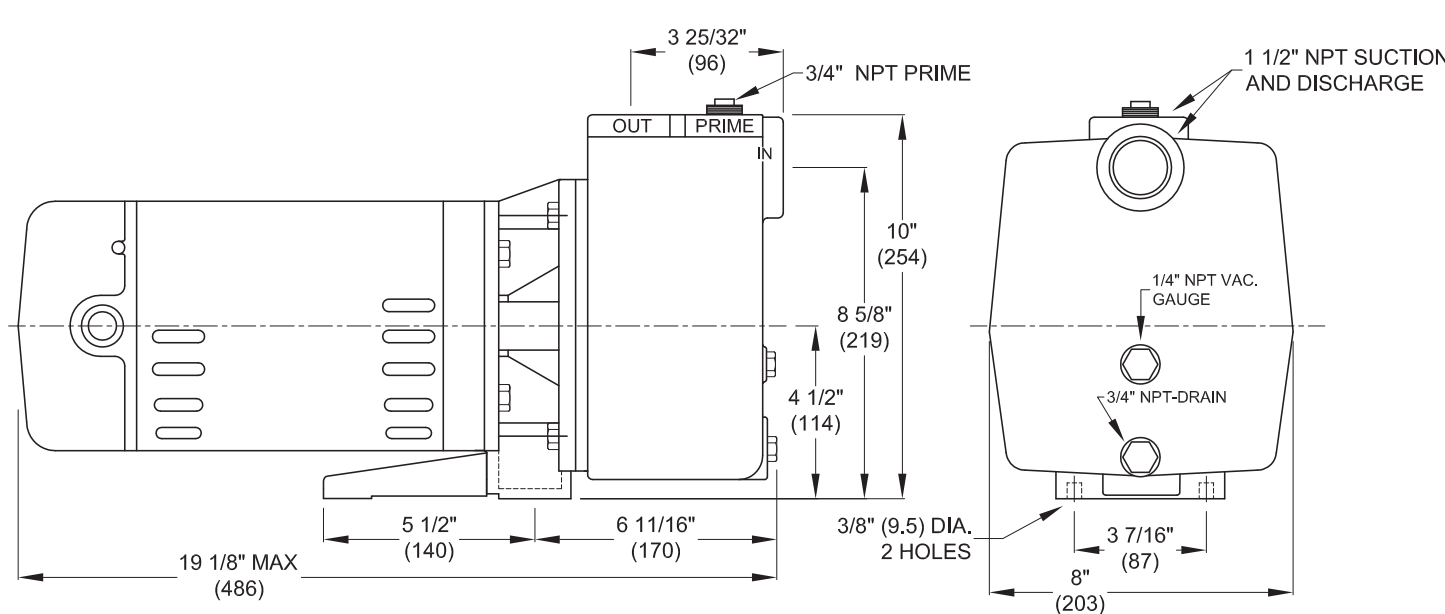
WARNING:

CANCER AND REPRODUCTIVE HARM -
WWW.P65WARNINGS.CA.GOV

60 HZ - PERFORMANCE AND SELECTION FOR SUCTION LIFT - 3500 RPM

| Catalog No. | HP | Suction & Discharge | Discharge Pressure Pounds | Capacity GPM (LPS) At Suction Lift and Discharge Pressure Shown | | | | | |
|-------------|----|---------------------|---------------------------|---|-------------------|------------------|--------------------|--------------------|--------------------|
| | | | | 0' Suction | 5' (1.5m) Suction | 10" (3m) Suction | 15' (4.5m) Suction | 20' (6.1m) Suction | 25' (7.6m) Suction |
| 10WA6 | 1 | 1½ | 20 (137kpa) | 52 (3.3) | 51 (3.2) | 48 (3.0) | 46 (2.9) | 43 (2.7) | 36 (2.2) |
| | | | 30 (206kpa) | 43 (2.7) | 39 (2.4) | 36 (2.2) | 33 (2.0) | 30 (1.8) | 25 (1.5) |
| | | | 40 (275kpa) | 23 (1.4) | 20 (1.2) | 14 (0.8) | 5 (0.3) | --- | --- |
| 15WA6 | 1½ | 1½ | 20 (137kpa) | 61 (3.8) | 61 (3.8) | 56 (3.5) | 53 (3.3) | 49 (3.0) | 41 (2.5) |
| | | | 30 (206kpa) | 58 (3.6) | 58 (3.6) | 54 (3.4) | 51 (3.2) | 47 (2.9) | 40 (2.5) |
| | | | 40 (275kpa) | 47 (2.9) | 43 (2.7) | 38 (2.3) | 35 (2.2) | 30 (1.8) | --- |
| 20WA6 | 2 | 1½ | 20 (137kpa) | 73 (4.6) | 69 (4.3) | 67 (4.2) | 63 (3.9) | 58 (3.6) | 50 (3.1) |
| | | | 30 (206kpa) | 68 (4.2) | 67 (4.2) | 64 (4.0) | 61 (3.8) | 56 (3.5) | 48 (3.0) |
| | | | 40 (275kpa) | 58 (3.6) | 54 (3.4) | 50 (3.1) | 46 (2.9) | 41 (2.5) | 34 (2.1) |
| 30WA6 | 3 | 1½ | 20 (137kpa) | 93 (5.8) | 93 (5.8) | 93 (5.8) | 92 (5.8) | 82 (5.1) | 66 (4.1) |
| | | | 30 (206kpa) | 85 (5.3) | 83 (5.2) | 83 (5.2) | 80 (5.0) | 76 (4.7) | 64 (4.0) |
| | | | 40 (275kpa) | 72 (4.5) | 68 (4.2) | 64 (4.0) | 59 (3.7) | 55 (3.4) | 46 (2.9) |
| | | | 50 (344kpa) | 50 (3.1) | 43 (2.7) | 35 (2.2) | 22 (1.3) | --- | --- |

Close Coupled Self Priming Pumps



DO NOT USE FOR CONSTRUCTION PURPOSES. CERTIFIED DRAWINGS AVAILABLE ON REQUEST

SECTION 6
PAGE 6
DATE 6/16

CRANE[®]
A Crane Co. Company

PUMPS & SYSTEMS

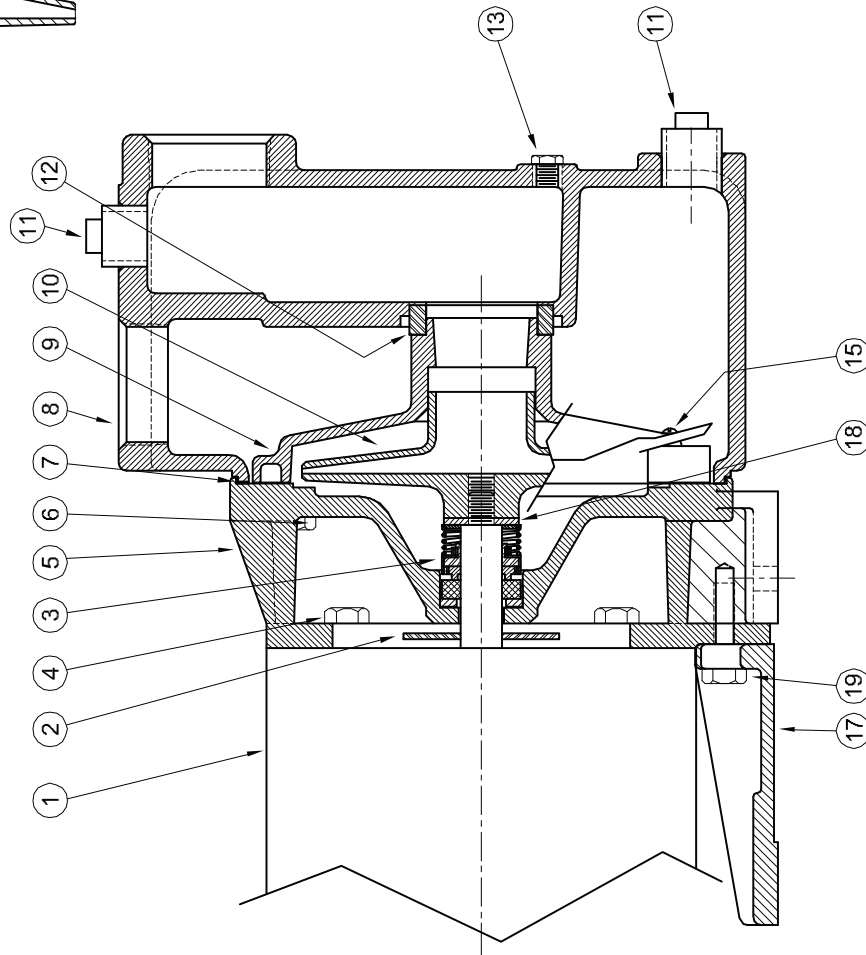
PumpAgents.com
Wholesale Pump Agents

USA: (937) 778-8947 • Canada: (905) 457-6223 • International: (937) 615-3598

Centrifugals - Self-Priming



IMPELLER LOCK
3 PHASE ONLY



| 1 - MOTORS (ALL 56J FRAME) | | HP |
|------------------------------------|----------------|----|
| RPM & PHASE | PART NUMBER | |
| OPEN DRIP PROOF | | |
| 3500 RPM Single Phase (ODP) | 010-211-371-02 | 1 |
| | 015-211-371-02 | 1½ |
| | 020-211-371-02 | 2 |
| | 030-215-371-02 | 3 |
| 3500 RPM Three Phase (ODP) | 010-230-361-02 | 1 |
| | 015-230-361-02 | 1½ |
| | 020-230-361-02 | 2 |
| | 030-230-361-02 | 3 |
| TOTALLY ENCLOSED | | |
| 3500 RPM Single Phase (TEFC) | 010-211-372-02 | 1 |
| | 015-211-372-02 | 1½ |
| | 020-211-372-02 | 2 |
| 3500 RPM Three Phase (TEFC) | 010-230-362D02 | 1 |
| | 015-230-362D02 | 1½ |
| | 020-230-362D02 | 2 |
| EXPLOSION PROOF | | |
| 3500 RPM Single Phase (XP) | 010-211-374-02 | 1 |
| | 015-211-374-02 | 1½ |
| | 020-211-374-02 | 2 |
| 3500 RPM Three Phase (XP) | 010-230-364-02 | 1 |
| | 015-230-364-02 | 1½ |
| | 020-230-364-02 | 2 |
| | 030-230-364-02 | 3 |

Centrifugals - Self-Priming

| SYMBOL NUMBER | PART NUMBER | QTY | DESCRIPTION |
|--|----------------|-----|-----------------------------|
| DIFFERING PARTS FOR ALL BRONZE CONSTRUCTION | | | |
| 4 | 03122-A | 4 | Cap Screw, 3/8-16 x 3/4" Lg |
| 5 | 09740-A | 1 | Adapter for 10WA6 Only |
| | 09740-A-1 | 1 | Adapter - All except 10WA6 |
| 6 | 03288 | 4 | Cap Screw, 3/8-16 x 1/4" Lg |
| 8 | 21123-A | 1 | Case |
| 9 | 21124-A | 1 | Diffuser - All except 10WA6 |
| | 21157-A | 1 | Diffuser - 10WA6 |
| 10 | 09660-5.44 | 1 | Impeller, 10WA6 - Bronze |
| | 09731-5.66 | 1 | Impeller, 15WA6 - Bronze |
| | 09729-5.66 | 1 | Impeller, 20WA6 - Bronze |
| | 09680-5.66 | 1 | Impeller, 30WA6 - Bronze |
| 11 | 00947-A | 2 | Pipe Plug, 3/4" - Brass |
| DIFFERING PARTS FOR ALL IRON CONSTRUCTION | | | |
| 10 | 09660-B-5.44 | 1 | Impeller, 10WA6 - Iron |
| | 09731-B-5.66 | 1 | Impeller, 15WA6 - Iron |
| | 09680-C-1-5.13 | 1 | Impeller, 20WA6 - Iron |
| | 09680-C-1-5.66 | 1 | Impeller, 30WA6 - Iron |
| 13 | 04236-A | 1 | Pipe Plug - 1/4" - Iron |
| 18 | 20628 | 1 | Washer - SS |
| 20 | 21181-A | 1 | Washer - SS |

(*) WA6 Series pumps have been manufactured with either Noryl or Bronze impellers as standard. All replacement impellers will be Noryl as listed, unless bronze is specified. For bronze impellers, refer to "Differing Parts for All Bronze Construction."
Stock pump catalog numbers shown for 1 phase units. Use same impellers and diffusers for 3 phase units.

| SYMBOL NUMBER | PART NUMBER | QTY | DESCRIPTION |
|---------------|-------------|-----|--------------------------------------|
| 2 | 08105 | 1 | Slinger Washer |
| 3 | 08514 | 1 | Mechanical Seal - Buna-N (Std) |
| | 09762 | 1 | Mechanical Seal - Viton |
| | 20764-C | 1 | Mechanical Seal - EPT** |
| 4 | 03122 | 4 | Cap Screw 3/8-16 x 3/4" Lg |
| 5 | 09740 | 1 | Adapter for 10WA6 Only |
| | 09740-1 | 1 | Adapter - All except 10WA6 |
| 6 | 04235 | 4 | Cap Screw 3/8-16 x 1/4" Lg |
| 7 | 08988 | 1 | Gasket |
| 8 | 21123 | 1 | Case |
| 9 | 21124 | 1 | Diffuser - All except 10WA6 |
| | 21157 | 1 | Diffuser - 10WA6 |
| * 10 | 21360 | 1 | Impeller, 10WA6 - Noryl |
| | 21361 | 1 | Impeller, 15WA6 - Noryl |
| | 21362 | 1 | Impeller, 20WA6 - Noryl |
| | 21363 | 1 | Impeller, 30WA6 - Noryl |
| 11 | 21360 | 1 | Impeller, T15WA6, X15WA6 - Noryl |
| | 21361 | 1 | Impeller, T20WA6, X20WA6 - Noryl |
| | 21362 | 1 | Impeller, T30WA6, X30WA6 - Noryl |
| | 00947 | 2 | Pipe Plug |
| 12 | 04231 | 1 | Suction Sleeve - Buna-N |
| | 09695 | 1 | Suction Sleeve - Viton |
| | 20285 | 1 | Suction Sleeve - EPT |
| 13 | 04236 | 1 | Pipe Plug, 1/4" Brass |
| 14 | 21182 | 1 | Lock Screw - 3 Phase, 1HP |
| | 21285 | 1 | Lock Screw - 3 Phase, 1 1/2, 2 & 3HP |
| 15 | 20101 | 2 | Roll Pin |
| 17 | 09744 | 1 | Base |
| 18 | 02029 | 1 | Washer, All except 10WA6 |
| 19 | 21236 | 1 | Cap Screw |
| 20 | 21181-C | 1 | Washer - 3 Phase, ALL |

WARNING:
CANCER AND REPRODUCTIVE HARM -
WWW.P65WARNINGS.CA.GOV

