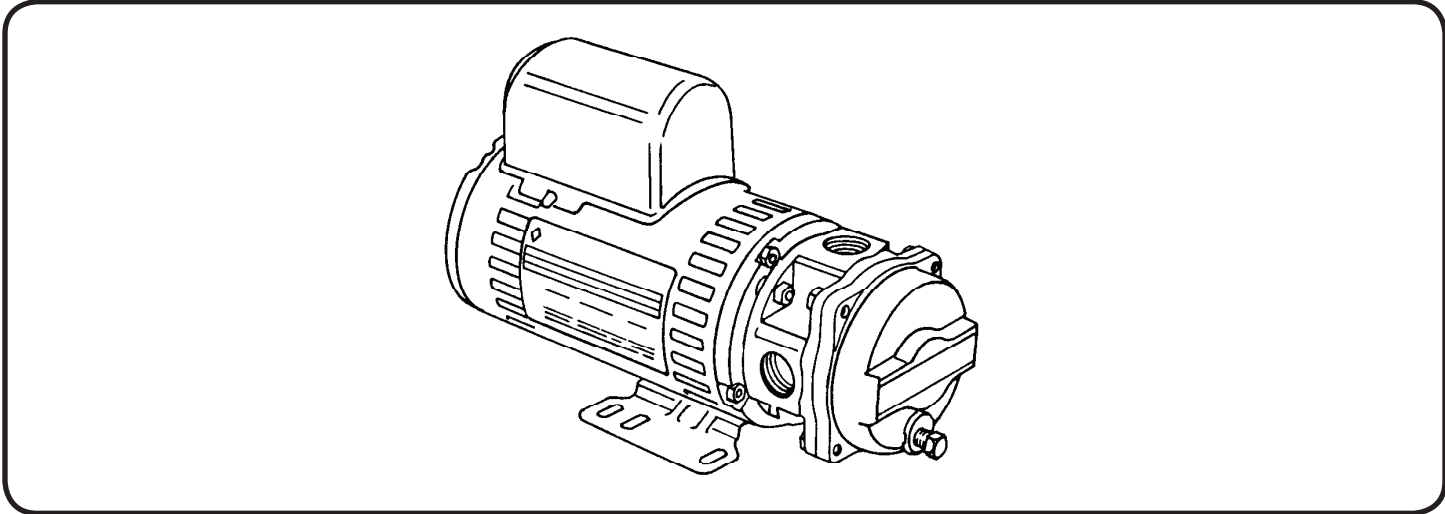


Close Coupled Regenerative Turbine



APPLICATIONS

- Carpet Cleaning Machines
- Small Steam Generators
- Solar Heating Systems
- Booster Pump
- Injector Venturi Operation
- Cleaning and Flushing
- Low Flow Circulating
- Spray Nozzles
- Liquid Transfer
- Coolant Pump
- Aeration

BURKS exclusive, unique regenerative type turbine pumps are designed to handle clear water and many other nonabrasive, lower viscosity liquids on high pressure/low capacity applications with the greatest possible efficiency.

60 HZ - PERFORMANCE														
Catalog Number		HP	PSI (kpa) Feet (m)	TOTAL HEAD							3450 RPM			
115V	230V			10.8 (74) 25 (7.6)	21.6 (149) 50 (15.2)	32.5 (224) 75 (22.8)	43.3 (299) 100 (30.4)	54.1 (373) 125 (38.1)	64.9 (447) 150 (45.7)	75.8 (523) 175 (53.3)				
CAPACITY IN GPM (LPS)							4.3 (0.23)	3.9 (0.24)	3.6 (0.23)	3.4 (0.21)		3.2 (0.2)	3.0 (0.19)	2.9 (0.18)
A3CR6M	3CR6M	1/3												

50 HZ - PERFORMANCE														
Catalog Number		HP	PSI (kpa) Feet (m)	TOTAL HEAD							2900 RPM			
	220V			10.4 (72) 24 (7.3)	20.8 (143) 48 (14.6)	37.7 (260) 87 (26.5)	49.4 (341) 114 (34.7)	55.4 (382) 128 (39.0)	68.4 (472) 158 (48.2)	81.9 (565) 189 (57.6)				
CAPACITY IN GPM (LPS)							3.6 (0.23)	3.2 (0.20)	2.8 (0.18)	2.6 (0.16)		2.5 (0.16)	2.3 (0.15)	2.1 (0.13)
	L3CR6M	1/3												

Features and Dimensions

Close Coupled Regenerative Turbine

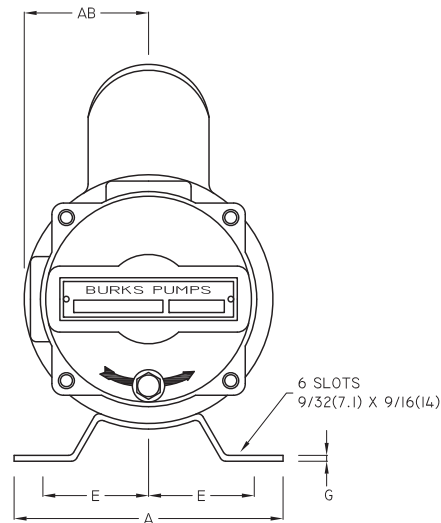
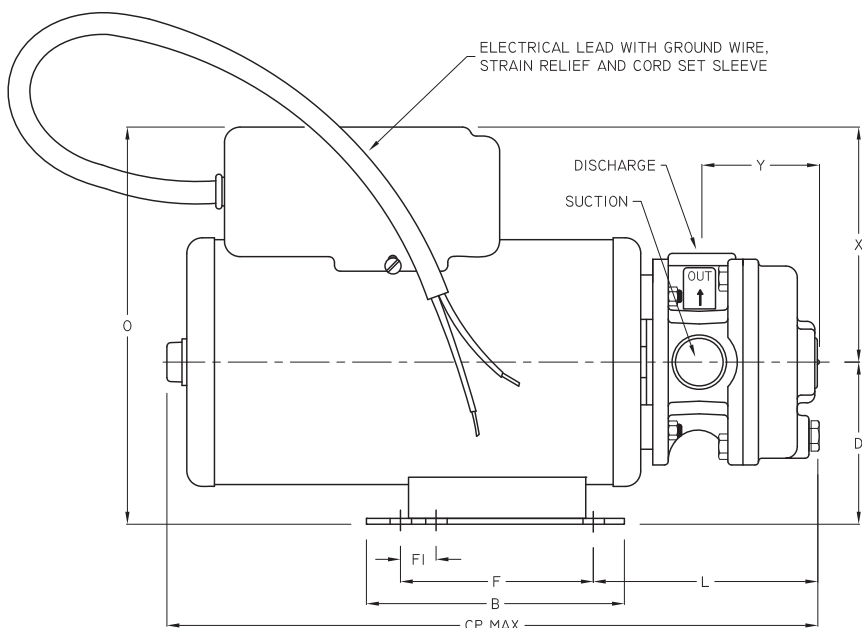
- Compact Size-Ideal for OEM Applications
- All Bronze Construction with Monel Impeller Blades
- Carbon/Ceramic Shaft Seal for Temperatures to 225°F (107°C)
- 316 Stainless Steel Shaft
- Close Coupled Design - No coupling or alignment problems
- Motors have ball/ball bearing construction and open ventilated enclosure. Standard motor is NOT drip-proof. Rated for continuous duty operation at all ratings shown. Drip-Proof motor is available as option for 230 volt.
- Capacitor Start motors have built-in automatic overload protection
- Furnished with UL Recognized motor lead
- Field adjustable impeller for extended service life
- Easy to service
- Every pump factory tested

MAXIMUM OPERATING CONDITIONS	
TEMPERATURE (For Standard Buna-N Seal)	225°F (107°C)
INLET PRESSURE	50 PSI (344kPa)
CASING WORKING PRESSURE	150 PSI (1034kPa)
VISCOSITY	200 SSU

MATERIALS OF CONSTRUCTION	
PART	ALL BRONZE
Frame/Raceway	Bronze
Impeller	Bronze (Monel Blades)
Shaft	#316 Stainless
Front Cover	Bronze
Shaft Seal	Carbon-Ceramic SS - Buna-N



WARNING:
CANCER AND REPRODUCTIVE HARM -
WWW.P65WARNINGS.CA.GOV



PUMP	TAPPINGS		Motor Frame	VOLT	LEAD LENGTH	DIMENSIONS IN INCHES (mm)												
	DISC. NPT	SUCT. NPT				A	AB	B	CP MAX	D	E	F	F1	G	L	O*	X	Y
A3CR6M	1/2"	1/2"	36	115V	12 (305)	4 (102)	1 1/8 (48)	3 1/4 (83)	10 (254)	2 1/4 (57)	1 15/32 (38)	2 1/2 (64)	5/8 (16)	1/16 (1.6)	3 3/8 (92)	6 1/4 (159)	1 1/4 (44)	2 1/8 (54)
3CR6M	1/2"	1/2"	36	230V	38 (965)	4 (102)	1 1/8 (48)	3 1/4 (83)	10 1/2 (267)	2 1/4 (57)	1 15/32 (38)	2 1/2 (64)	5/8 (16)	1/16 (1.6)	3 3/8 (92)	6 1/4 (159)	1 1/4 (44)	2 1/8 (54)

(*) Approximate maximum dimension

A strainer, approximately 20 mesh, should be installed on the suction side of the pump to prevent chips, scale or hard foreign particales from entering the pump and damaging the raceway and impeller.

SECTION 7
PAGE 2
DATE 1/11

CRANE[®]

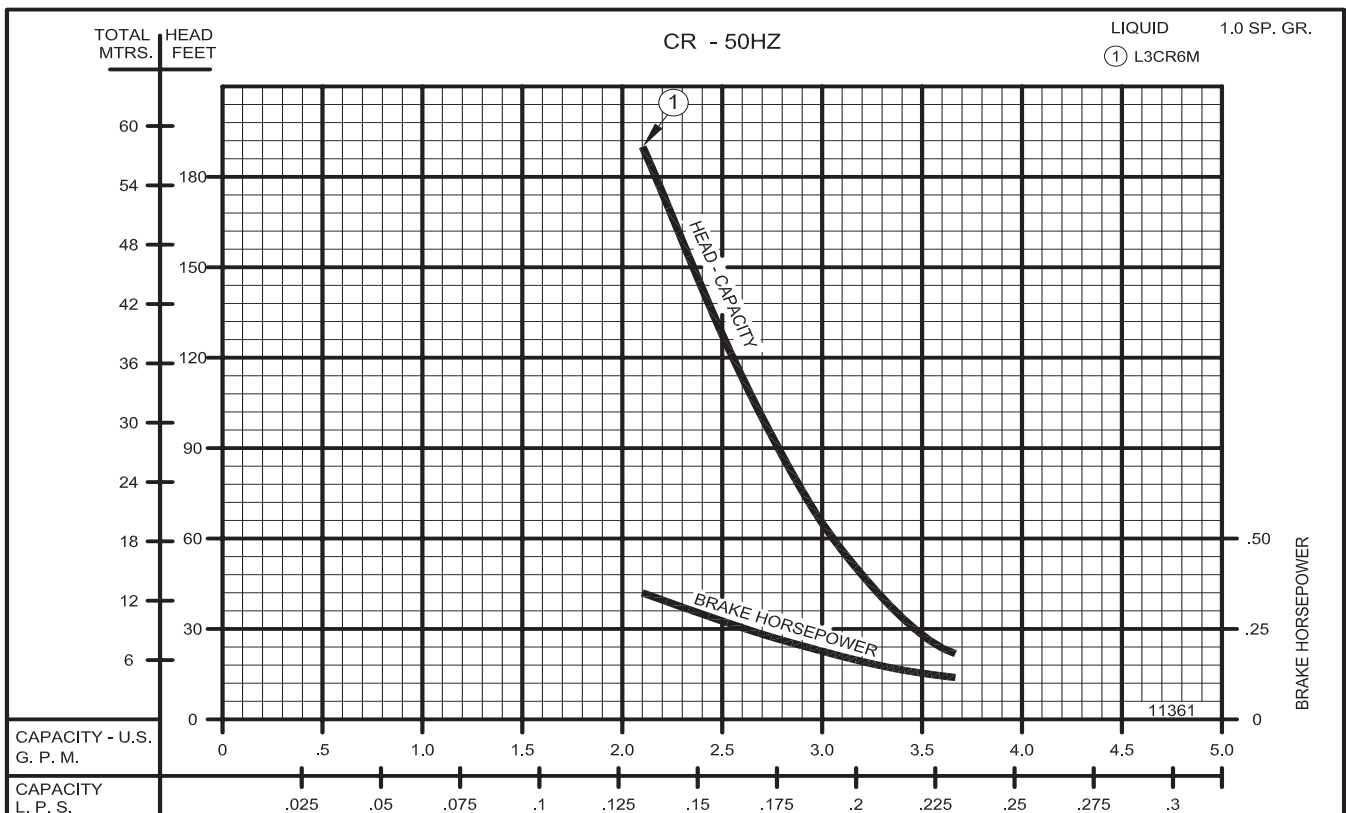
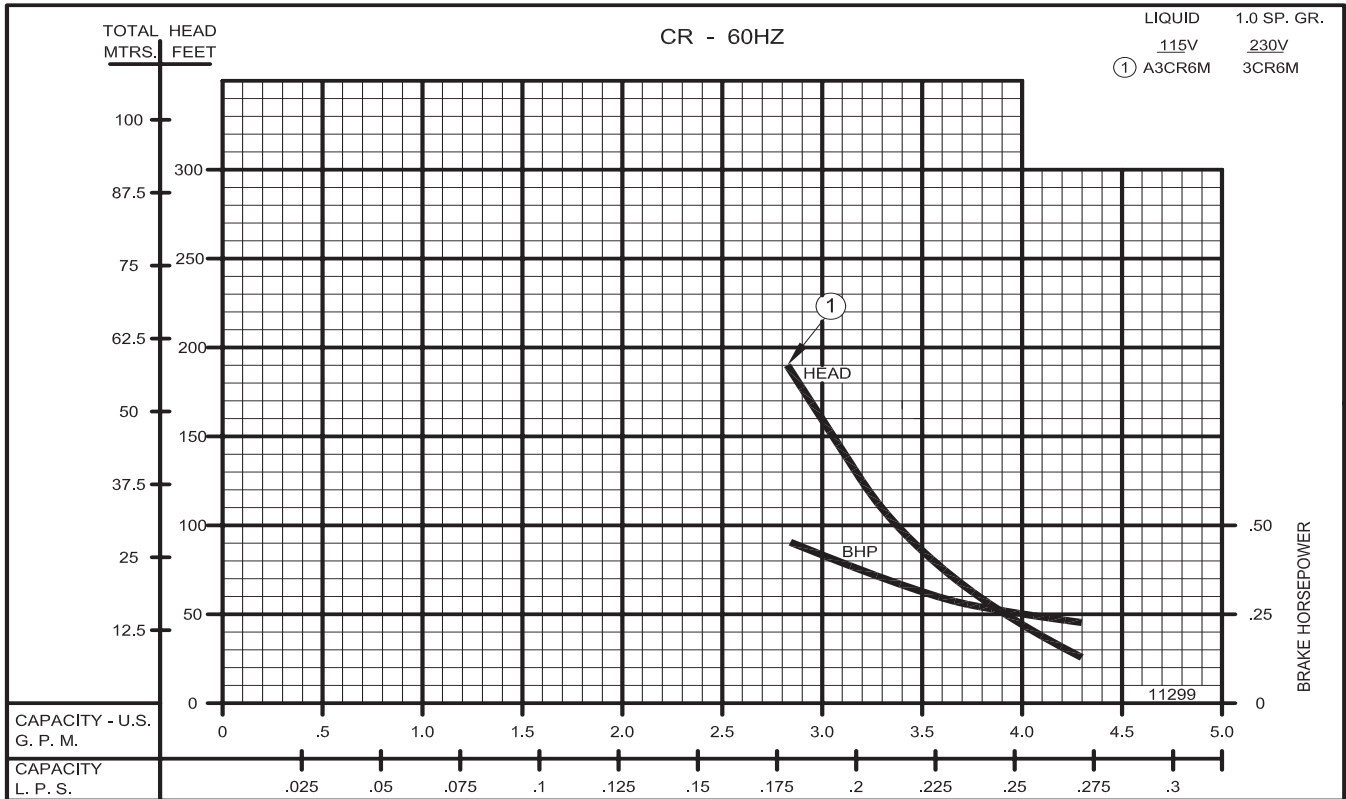
A Crane Co. Company

PUMPS & SYSTEMS

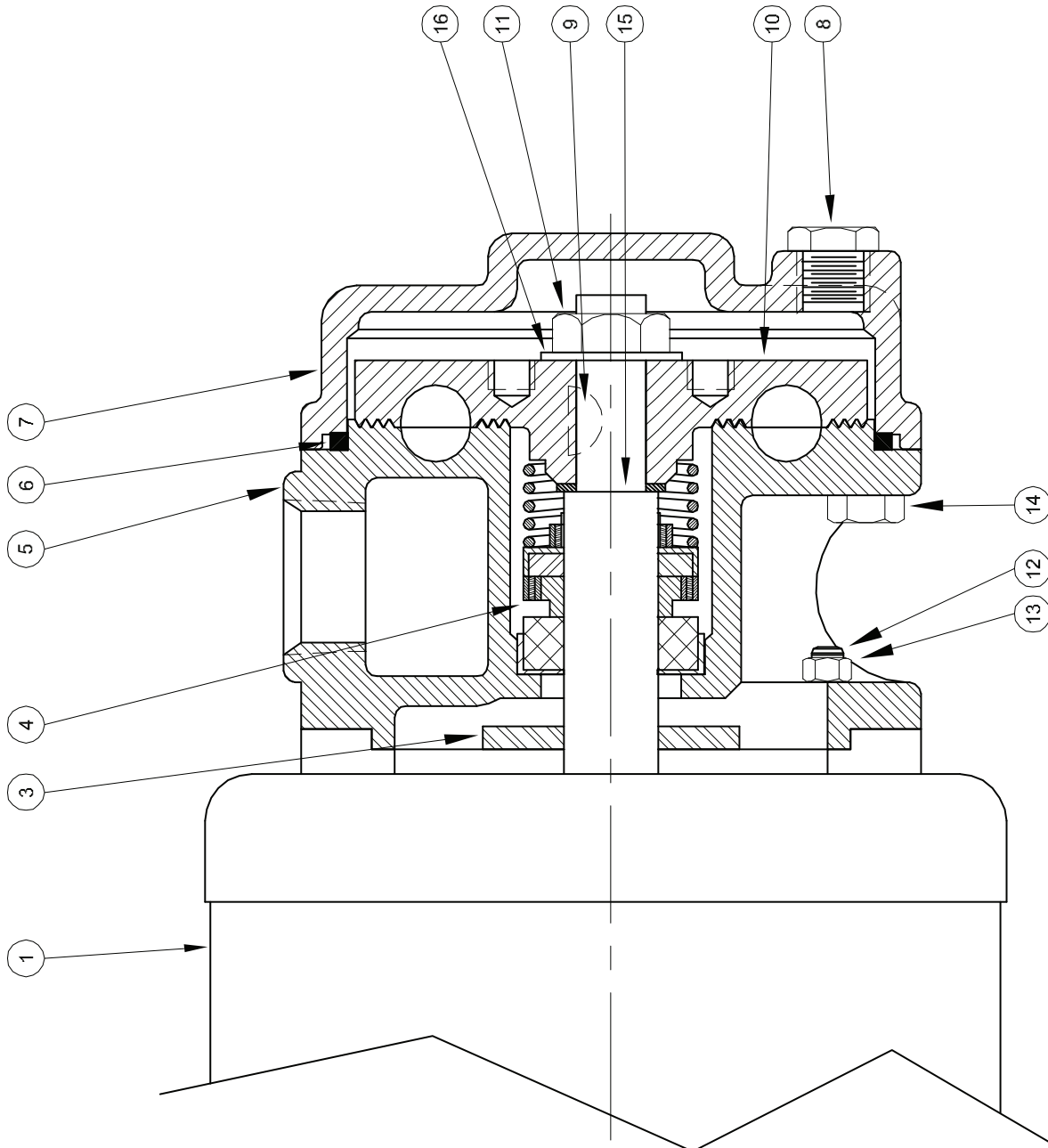
PumpAgents.com
Wholesale Pump Agents

USA: (937) 778-8947 • Canada: (905) 457-6223 • International: (937) 615-3598

Close Coupled Regenerative Turbine



Turbines - Close Coupled



Turbines - Close Coupled

REPAIR KITS FOR CR SERIES PUMPS			
REPAIR KIT P/N (STD Buna-N)	MODEL	REPAIR KIT P/N (Viton)	MODEL
22850-6	CR6M	22850-6-MV	CR6MV

KIT INCLUDES: Impeller, raceway, Shaft Seal, Impeller Locknut and Key, Seal Ring, Washers and Instructions.

SYMBOL NUMBER	PART NUMBER	QTY	DESCRIPTION
1	21765 21933	1 1	Motor, 1/3HP - 115 Volt, 1 Phase Motor, 1/3HP - 230 Volt, 1 Phase
3	03520	1	Slinger Washer
4	21727 21914	1 1	Mechanical Seal - Buna-N Mechanical Seal - Viton
5	21722-6	1	Raceway
6	21726 21913	1 1	Seal Ring - Buna-N Seal Ring - Viton
7	21724	1	Cover
8	01691-A	1	Plug, 1/8" NPT
9	21728	1	Shaft Key
10	SA21723-6-1	1	Impeller
11	21725	1	Locknut, Impeller
12	21729	4	Stud
13	21730	4	Nut
14	08169	4	Cap Screw
15	22897	1	Washer
16	23037	1	Washer

NOTE 1: Impeller and Raceway must be ordered as a repair kit.
NOT available individually.

WARNING:
CANCER AND REPRODUCTIVE HARM -
WWW.P65WARNINGS.CA.GOV

