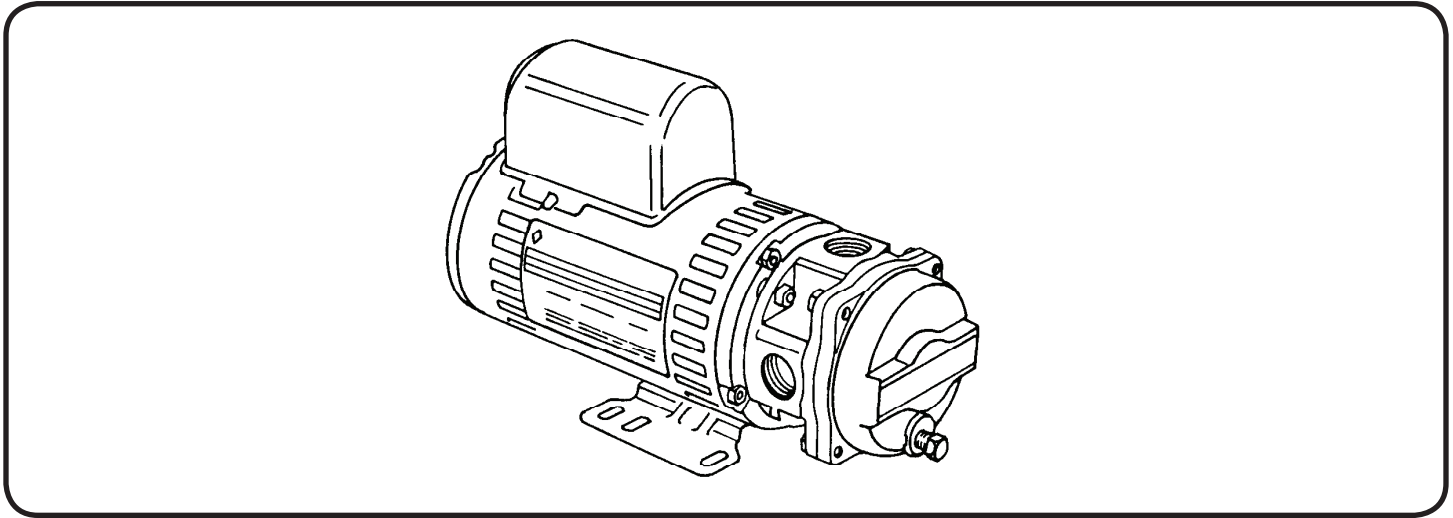


Close Coupled Regenerative Turbine



APPLICATIONS

- Carpet Cleaning Machines
- Small Steam Generators
- Solar Heating Systems
- Booster Pump
- Injector Venturi Operation
- Cleaning and Flushing
- Low Flow Circulating
- Spray Nozzles
- Liquid Transfer
- Coolant Pump
- Aeration

BURKS exclusive, unique regenerative type turbine pumps are designed to handle clear water and many other nonabrasive, lower viscosity liquids on high pressure/low capacity applications with the greatest possible efficiency.

| 60 HZ - PERFORMANCE | | | | | | | | | | | |
|---------------------|-------|-----|-----------------------|-----------------------|-----------------------|-------------------------|-------------------------|--------------------------|--------------------------|--------------------------|--------------------------|
| Catalog Number | | HP | PSI (kpa) Feet (m) | TOTAL HEAD | | | | | | | |
| 115V | 230V | | | | 10.8 (74) 25 (7.6) | 21.6 (149) 50 (15.2) | 32.5 (224) 75 (22.8) | 43.3 (299) 100 (30.4) | 54.1 (373) 125 (38.1) | 64.9 (447) 150 (45.7) | 75.8 (523) 175 (53.3) |
| | | | | CAPACITY IN GPM (LPS) | | | | | | | 3450 RPM |
| A3CR6M | 3CR6M | 1/3 | 4.3 (0.23) | 3.9 (0.24) | 3.6 (0.23) | 3.4 (0.21) | 3.2 (0.2) | 3.0 (0.19) | 2.9 (0.18) | | |

| 50 HZ - PERFORMANCE | | | | | | | | | | | |
|---------------------|--------|-----|-----------------------|-----------------------|-----------------------|-------------------------|-------------------------|--------------------------|--------------------------|--------------------------|--------------------------|
| Catalog Number | | HP | PSI (kpa) Feet (m) | TOTAL HEAD | | | | | | | |
| | 220V | | | | 10.4 (72) 24 (7.3) | 20.8 (143) 48 (14.6) | 37.7 (260) 87 (26.5) | 49.4 (341) 114 (34.7) | 55.4 (382) 128 (39.0) | 68.4 (472) 158 (48.2) | 81.9 (565) 189 (57.6) |
| | | | | CAPACITY IN GPM (LPS) | | | | | | | 2900 RPM |
| | L3CR6M | 1/3 | 3.6 (0.23) | 3.2 (0.20) | 2.8 (0.18) | 2.6 (0.16) | 2.5 (0.16) | 2.3 (0.15) | 2.1 (0.13) | | |

Features and Dimensions

Close Coupled Regenerative Turbine

- Compact Size-Ideal for OEM Applications
- All Bronze Construction with Monel Impeller Blades
- Carbon/Ceramic Shaft Seal for Temperatures to 225°F (107°C)
- 316 Stainless Steel Shaft
- Close Coupled Design - No coupling or alignment problems
- Motors have ball/ball bearing construction and open ventilated enclosure. Standard motor is NOT drip-proof. Rated for continuous duty operation at all ratings shown. Drip-Proof motor is available as option for 230 volt.
- Capacitor Start motors have built-in automatic overload protection
- Furnished with UL Recognized motor lead
- Field adjustable impeller for extended service life
- Easy to service
- Every pump factory tested

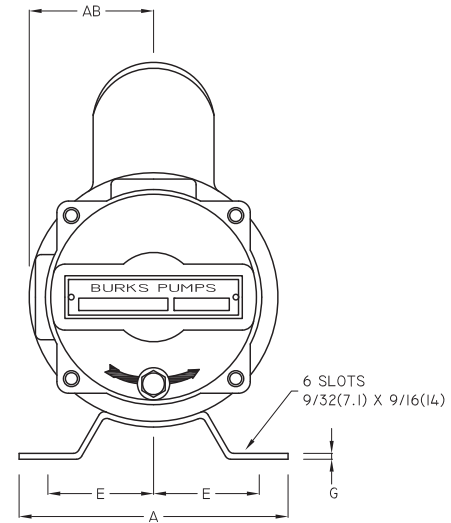
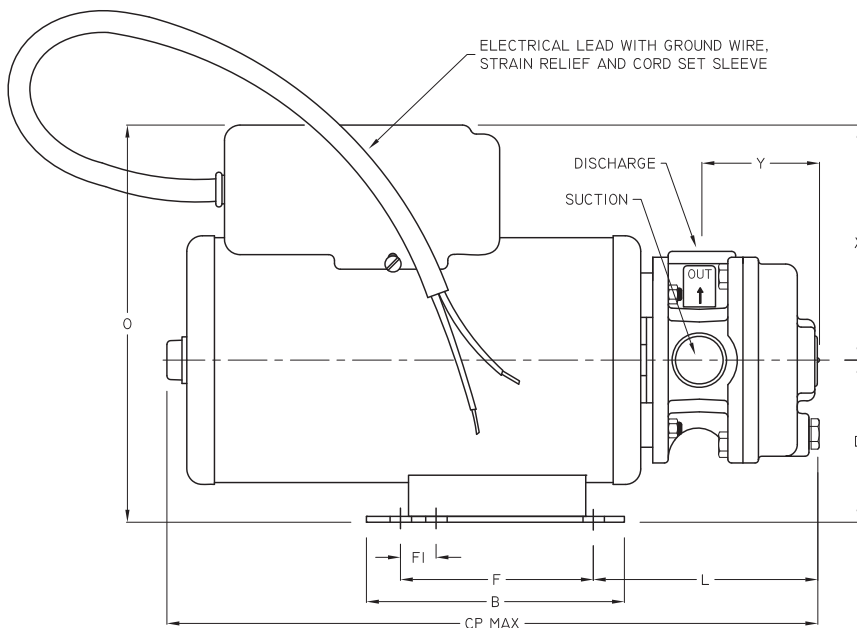
| MAXIMUM OPERATING CONDITIONS | |
|---|-------------------|
| TEMPERATURE (For Standard Buna-N Seal) | 225°F (107°C) |
| INLET PRESSURE | 50 PSI (344kPa) |
| CASING WORKING PRESSURE | 150 PSI (1034kPa) |
| VISCOSITY | 200 SSU |

| MATERIALS OF CONSTRUCTION | |
|---------------------------|----------------------------|
| PART | ALL BRONZE |
| Frame/Raceway | Bronze |
| Impeller | Bronze (Monel Blades) |
| Shaft | #316 Stainless |
| Front Cover | Bronze |
| Shaft Seal | Carbon-Ceramic SS - Buna-N |



WARNING:

CANCER AND REPRODUCTIVE HARM - WWW.P65WARNINGS.CA.GOV



| PUMP | TAPPINGS | | Motor Frame | VOLT | LEAD LENGTH | DIMENSIONS IN INCHES (mm) | | | | | | | | | | | | |
|--------|-----------|-----------|-------------|------|-------------|---------------------------|---------------|---------------|-----------------|---------------|-----------------|---------------|-------------|---------------|---------------|----------------|---------------|---------------|
| | DISC. NPT | SUCT. NPT | | | | A | AB | B | CP MAX | D | E | F | F1 | G | L | O* | X | Y |
| A3CR6M | 1/2" | 1/2" | 36 | 115V | 12 (305) | 4 (102) | 1 1/8 (48) | 3 1/4 (83) | 10 (254) | 2 1/4 (57) | 1 15/32 (38) | 2 1/2 (64) | 5/8 (16) | 1/16 (1.6) | 3 3/8 (92) | 6 1/4 (159) | 1 1/4 (44) | 2 1/8 (54) |
| 3CR6M | 1/2" | 1/2" | 36 | 230V | 38 (965) | 4 (102) | 1 1/8 (48) | 3 1/4 (83) | 10 1/2 (267) | 2 1/4 (57) | 1 15/32 (38) | 2 1/2 (64) | 5/8 (16) | 1/16 (1.6) | 3 3/8 (92) | 6 1/4 (159) | 1 1/4 (44) | 2 1/8 (54) |

(*) Approximate maximum dimension

A strainer, approximately 20 mesh, should be installed on the suction side of the pump to prevent chips, scale or hard foreign particales from entering the pump and damaging the raceway and impeller.

SECTION 7
PAGE 2
DATE 1/11



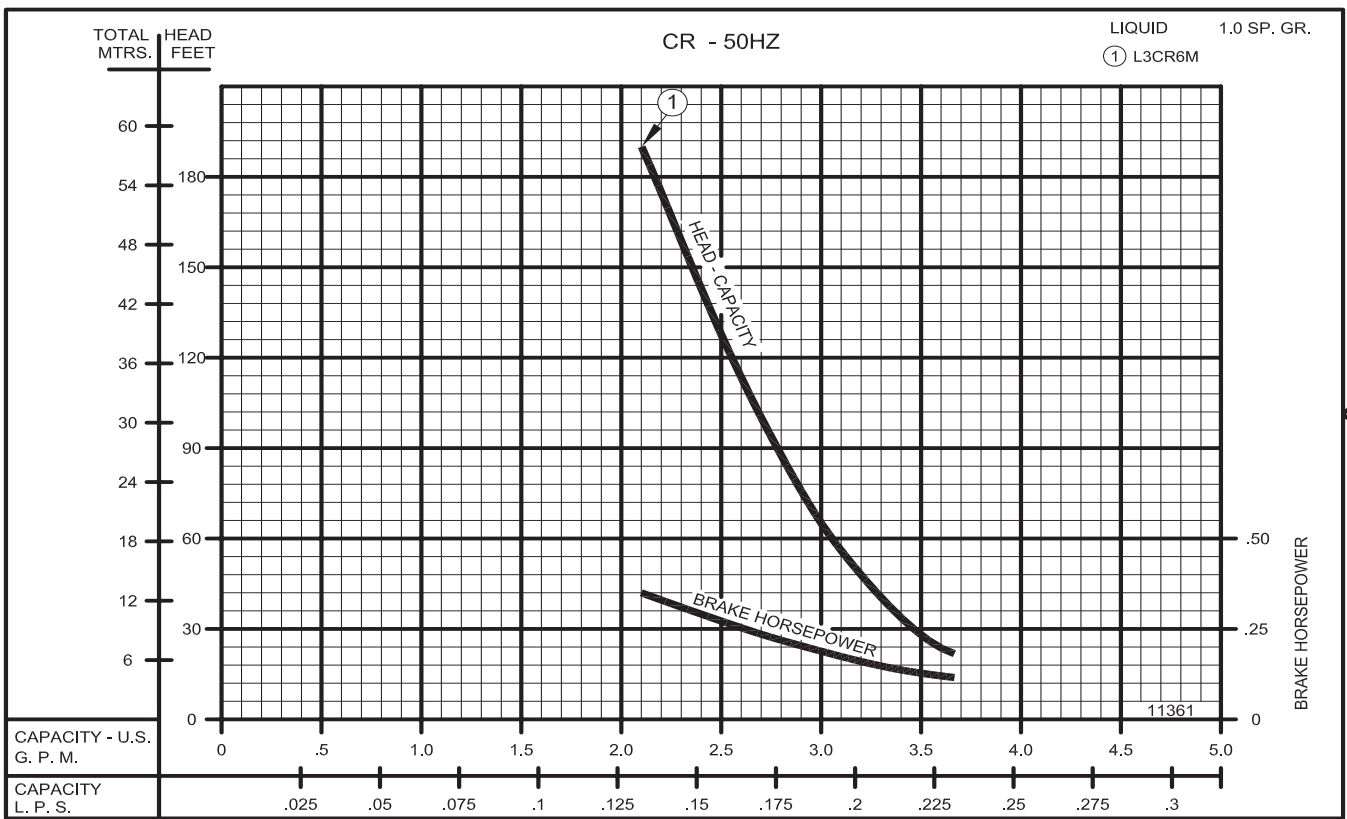
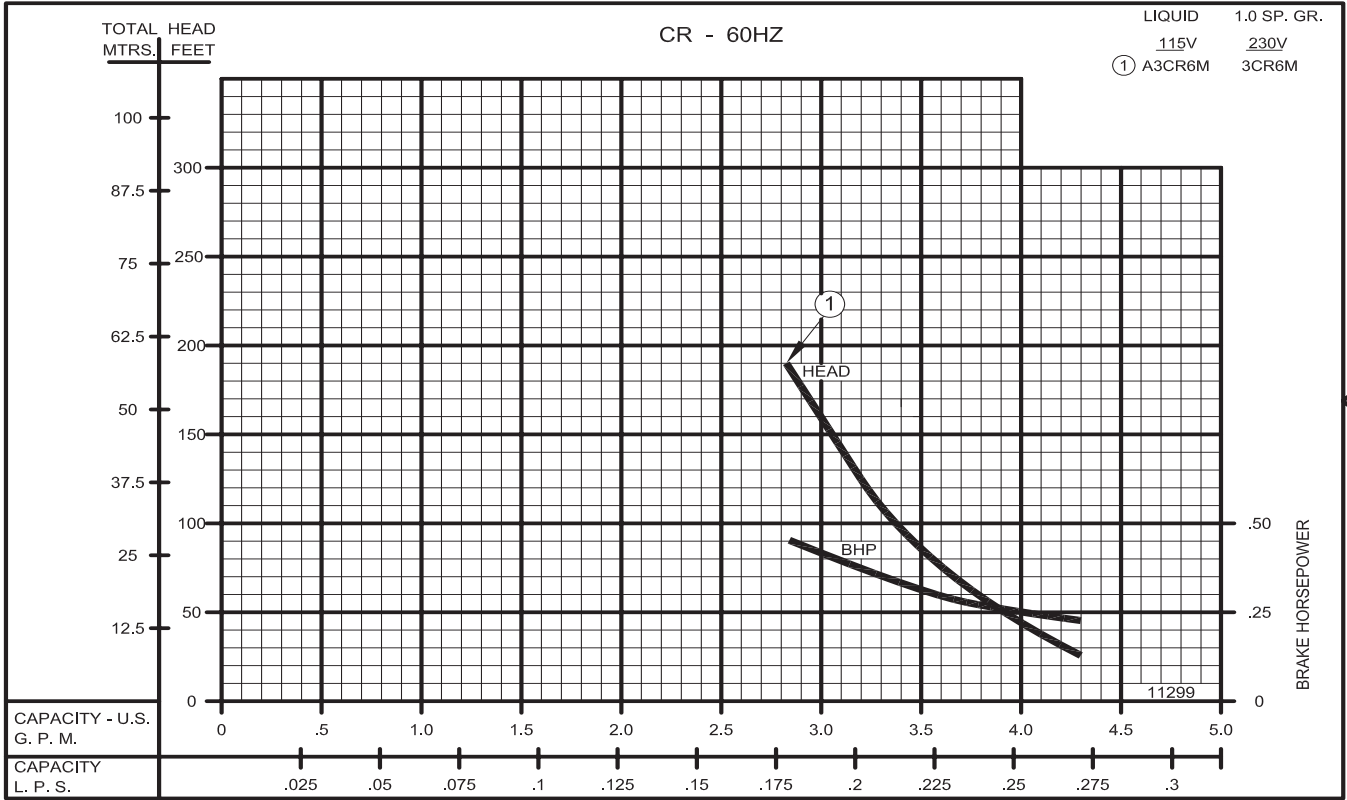
A Crane Co. Company

PUMPS & SYSTEMS

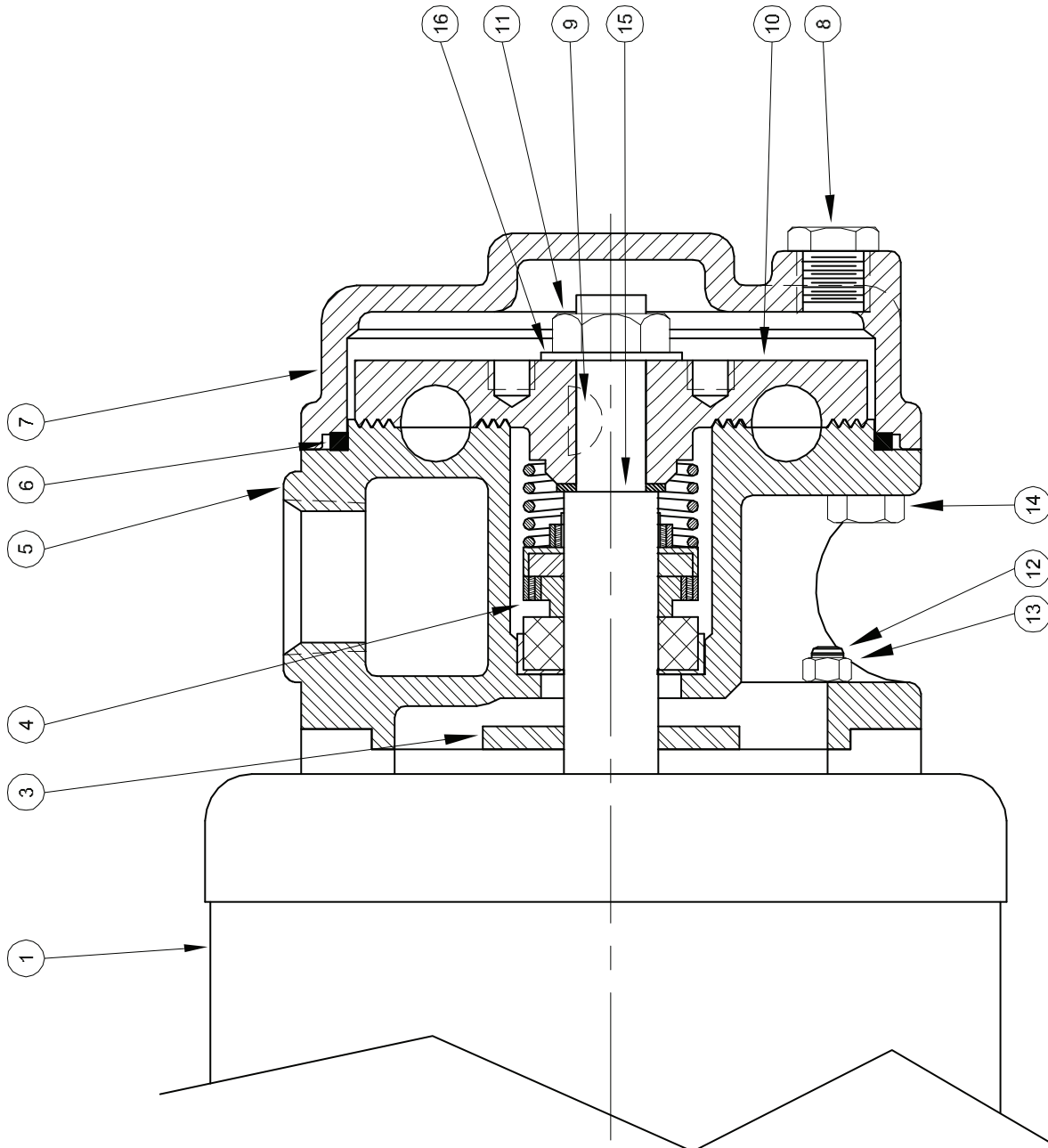
PumpAgents.com
Wholesale Pump Agents

USA: (937) 778-8947 • Canada: (905) 457-6223 • International: (937) 615-3598

Close Coupled Regenerative Turbine



Turbines - Close Coupled



Turbines - Close Coupled

| REPAIR KITS FOR CR SERIES PUMPS | | | |
|---------------------------------|-------|------------------------|-------|
| REPAIR KIT P/N (STD Buna-N) | MODEL | REPAIR KIT P/N (Viton) | MODEL |
| 22850-6 | CR6M | 22850-6-MV | CR6MV |

KIT INCLUDES: Impeller, raceway, Shaft Seal, Impeller Locknut and Key, Seal Ring, Washers and Instructions.

| SYMBOL NUMBER | PART NUMBER | QTY | DESCRIPTION |
|---------------|----------------|--------|--|
| 1 | 21765 21933 | 1 1 | Motor, 1/3HP - 115 Volt, 1 Phase Motor, 1/3HP - 230 Volt, 1 Phase |
| 3 | 03520 | 1 | Slinger Washer |
| 4 | 21727 21914 | 1 1 | Mechanical Seal - Buna-N Mechanical Seal - Viton |
| 5 | 21722-6 | 1 | Raceway |
| 6 | 21726 21913 | 1 1 | Seal Ring - Buna-N Seal Ring - Viton |
| 7 | 21724 | 1 | Cover |
| 8 | 01691-A | 1 | Plug, 1/8" NPT |
| 9 | 21728 | 1 | Shaft Key |
| 10 | SA21723-6-1 | 1 | Impeller |
| 11 | 21725 | 1 | Locknut, Impeller |
| 12 | 21729 | 4 | Stud |
| 13 | 21730 | 4 | Nut |
| 14 | 08169 | 4 | Cap Screw |
| 15 | 22897 | 1 | Washer |
| 16 | 23037 | 1 | Washer |

NOTE 1: Impeller and Raceway must be ordered as a repair kit.
NOT available individually.

WARNING:
CANCER AND REPRODUCTIVE HARM -
WWW.P65WARNINGS.CA.GOV

