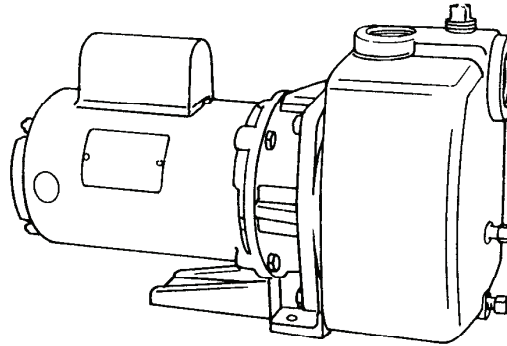


Close Coupled Self Priming Pumps

APPLICATIONS

- Lawn Sprinkling
- Pressure Boosting
- Sprinkler Systems
- Light Irrigation
- Dewatering clean liquids
- Transfer from underground storage



- Fast Priming pumps stays primed. Flapper and check valves on suction pipe are not required, but are recommended.
- Non-overloading performance at all catalog ratings.
- Continuous duty motors.
- Leak Proof mechanical shaft seal - self adjusting
- Cast Iron Casing with suction, discharge, prime, vacuum gauge and drain tappings.
- All Bronze or All Iron construction available.
- Glass filled Noryl® enclosed impeller with molded-in brass insert.
- Every pump is factory tested and will meet Hydraulic Institute standards

Overload Protection: All single phase ODP and TEFC motors must have built-in overload protection. All three phase motors and all explosion proof motors must be installed with a magnetic starter which provides full 3-leg protection. Failure to use correct starter and overloads will void motor warranty.

MATERIALS OF CONSTRUCTION

PART	STANDARD	ALL IRON	ALL BRONZE
Adapter	Cast Iron	Cast Iron	Bronze
Case	Cast Iron	Cast Iron	Bronze
Diffuser	Cast Iron	Cast Iron	Bronze
Impeller	Noryl®	Cast Iron	Bronze
Shaft	#303 Stainless	#303 Stainless	#303 Stainless
Shaft Seal	Carbon-Ceramic SS - Buna-N	Carbon-Ceramic SS - Buna-N	Carbon-Ceramic SS - Buna-N

MAXIMUM OPERATING CONDITIONS

TEMPERATURE (For Standard Noryl Impeller)	175°F (80°C)
INLET PRESSURE	100 PSI (689kPa)
CASING WORKING PRESSURE	200 PSI (1379kPa)

MOTOR INFORMATION

60 Hz - 3500 RPM - ODP
Single Phase: 1 thru 2 Hp - 115/230 Volts; 3 Hp. - 230 Volt
Three Phase: 1 thru 3 Hp. - 208-230/460 Volt

Voltages may differ from some suppliers. Consult factory.



WARNING:

CANCER AND REPRODUCTIVE HARM -
WWW.P65WARNINGS.CA.GOV

60 HZ - PERFORMANCE AND SELECTION FOR SUCTION LIFT - 3500 RPM

Catalog No.	HP	Suction & Discharge	Discharge Pressure Pounds	Capacity GPM (LPS) At Suction Lift and Discharge Pressure Shown					
				0' Suction	5' (1.5m) Suction	10" (3m) Suction	15' (4.5m) Suction	20' (6.1m) Suction	25' (7.6m) Suction
10WA6	1	1½	20 (137kpa)	52 (3.3)	51 (3.2)	48 (3.0)	46 (2.9)	43 (2.7)	36 (2.2)
			30 (206kpa)	43 (2.7)	39 (2.4)	36 (2.2)	33 (2.0)	30 (1.8)	25 (1.5)
			40 (275kpa)	23 (1.4)	20 (1.2)	14 (0.8)	5 (0.3)	---	---
15WA6	1½	1½	20 (137kpa)	61 (3.8)	61 (3.8)	56 (3.5)	53 (3.3)	49 (3.0)	41 (2.5)
			30 (206kpa)	58 (3.6)	58 (3.6)	54 (3.4)	51 (3.2)	47 (2.9)	40 (2.5)
			40 (275kpa)	47 (2.9)	43 (2.7)	38 (2.3)	35 (2.2)	30 (1.8)	---
			50 (344kpa)	24 (1.5)	19 (1.1)	9 (0.5)	---	---	---
20WA6	2	1½	20 (137kpa)	73 (4.6)	69 (4.3)	67 (4.2)	63 (3.9)	58 (3.6)	50 (3.1)
			30 (206kpa)	68 (4.2)	67 (4.2)	64 (4.0)	61 (3.8)	56 (3.5)	48 (3.0)
			40 (275kpa)	58 (3.6)	54 (3.4)	50 (3.1)	46 (2.9)	41 (2.5)	34 (2.1)
			50 (344kpa)	37 (2.3)	31 (1.9)	23 (1.4)	---	---	---
30WA6	3	1½	20 (137kpa)	93 (5.8)	93 (5.8)	93 (5.8)	92 (5.8)	82 (5.1)	66 (4.1)
			30 (206kpa)	85 (5.3)	83 (5.2)	83 (5.2)	80 (5.0)	76 (4.7)	64 (4.0)
			40 (275kpa)	72 (4.5)	68 (4.2)	64 (4.0)	59 (3.7)	55 (3.4)	46 (2.9)
			50 (344kpa)	50 (3.1)	43 (2.7)	35 (2.2)	22 (1.3)	---	---

Series: WA6

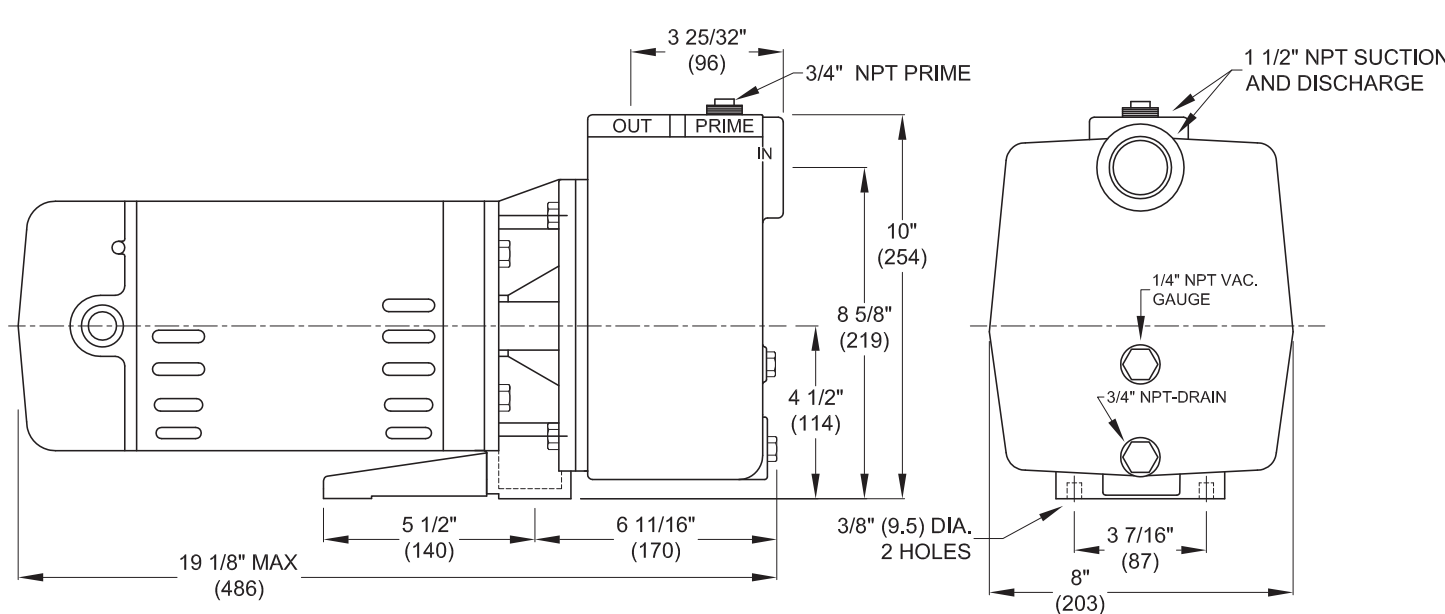
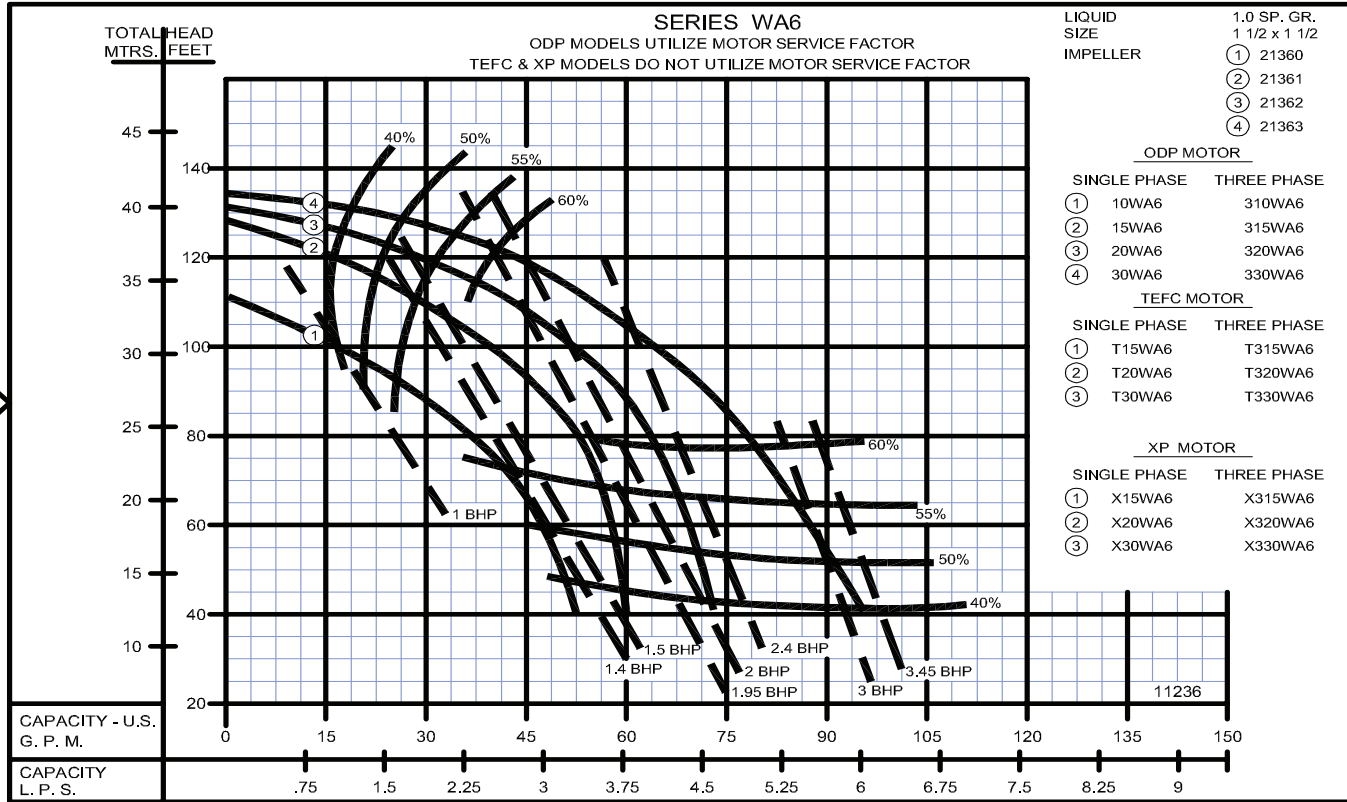
3500 RPM - 60 Hz.

Burks Pumps 320WA6-ME

PumpAgents.com - Click here for Pricing/Ordering for Pumps and Parts



Close Coupled Self Priming Pumps



DO NOT USE FOR CONSTRUCTION PURPOSES. CERTIFIED DRAWINGS AVAILABLE ON REQUEST

SECTION 6
PAGE 6
DATE 6/16



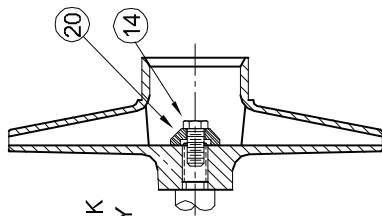
PUMPS & SYSTEMS

PumpAgents.com
Wholesale Pump Agents

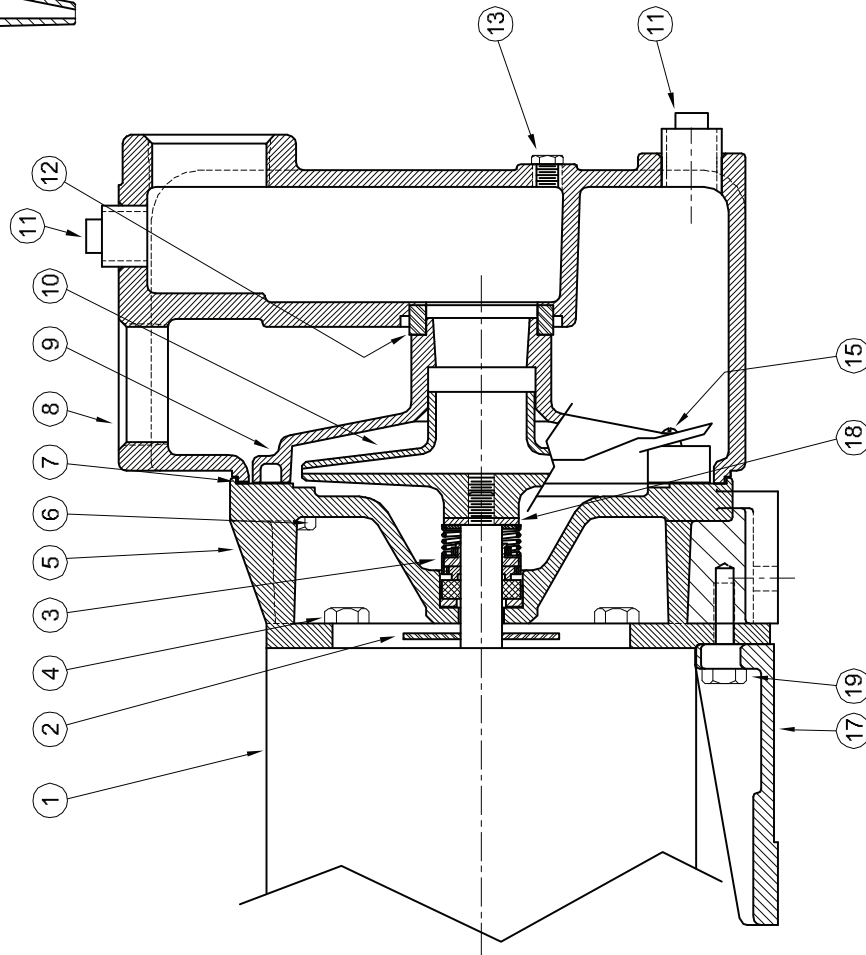
A Crane Co. Company

USA: (937) 778-8947 • Canada: (905) 457-6223 • International: (937) 615-3598

Centrifugals - Self-Priming



IMPELLER LOCK
3 PHASE ONLY



1 - MOTORS (ALL 56J FRAME)		HP
RPM & PHASE	PART NUMBER	
OPEN DRIP PROOF		
3500 RPM Single Phase (ODP)	010-211-371-02	1
	015-211-371-02	1½
	020-211-371-02	2
	030-215-371-02	3
3500 RPM Three Phase (ODP)	010-230-361-02	1
	015-230-361-02	1½
	020-230-361-02	2
	030-230-361-02	3
TOTALLY ENCLOSED		
3500 RPM Single Phase (TEFC)	010-211-372-02	1
	015-211-372-02	1½
	020-211-372-02	2
3500 RPM Three Phase (TEFC)	010-230-362D02	1
	015-230-362D02	1½
	020-230-362D02	2
EXPLOSION PROOF		
3500 RPM Single Phase (XP)	010-211-374-02	1
	015-211-374-02	1½
	020-211-374-02	2
3500 RPM Three Phase (XP)	010-230-364-02	1
	015-230-364-02	1½
	020-230-364-02	2
	030-230-364-02	3

Centrifugals - Self-Priming

SYMBOL NUMBER	PART NUMBER	QTY	DESCRIPTION
DIFFERING PARTS FOR ALL BRONZE CONSTRUCTION			
4	03122-A	4	Cap Screw, 3/8-16 x 3/4" Lg
5	09740-A	1	Adapter for 10WA6 Only
	09740-A-1	1	Adapter - All except 10WA6
6	03288	4	Cap Screw, 3/8-16 x 1/4" Lg
8	21123-A	1	Case
9	21124-A	1	Diffuser - All except 10WA6
	21157-A	1	Diffuser - 10WA6
10	09660-5.44	1	Impeller, 10WA6 - Bronze
	09731-5.66	1	Impeller, 15WA6 - Bronze
	09729-5.66	1	Impeller, 20WA6 - Bronze
	09680-5.66	1	Impeller, 30WA6 - Bronze
11	00947-A	2	Pipe Plug, 3/4" - Brass
DIFFERING PARTS FOR ALL IRON CONSTRUCTION			
10	09660-B-5.44	1	Impeller, 10WA6 - Iron
	09731-B-5.66	1	Impeller, 15WA6 - Iron
	09680-C-1-5.13	1	Impeller, 20WA6 - Iron
	09680-C-1-5.66	1	Impeller, 30WA6 - Iron
13	04236-A	1	Pipe Plug - 1/4" - Iron
18	20628	1	Washer - SS
20	21181-A	1	Washer - SS

(*) WA6 Series pumps have been manufactured with either Noryl or Bronze impellers as standard. All replacement impellers will be Noryl as listed, unless bronze is specified. For bronze impellers, refer to "Differing Parts for All Bronze Construction."
Stock pump catalog numbers shown for 1 phase units. Use same impellers and diffusers for 3 phase units.

SYMBOL NUMBER	PART NUMBER	QTY	DESCRIPTION
2	08105	1	Slinger Washer
3	08514	1	Mechanical Seal - Buna-N (Std)
	09762	1	Mechanical Seal - Viton
	20764-C	1	Mechanical Seal - EPT**
4	03122	4	Cap Screw 3/8-16 x 3/4" Lg
5	09740	1	Adapter for 10WA6 Only
	09740-1	1	Adapter - All except 10WA6
6	04235	4	Cap Screw 3/8-16 x 1/4" Lg
7	08988	1	Gasket
8	21123	1	Case
9	21124	1	Diffuser - All except 10WA6
	21157	1	Diffuser - 10WA6
* 10	21360	1	Impeller, 10WA6 - Noryl
	21361	1	Impeller, 15WA6 - Noryl
	21362	1	Impeller, 20WA6 - Noryl
	21363	1	Impeller, 30WA6 - Noryl
11	21360	1	Impeller, T15WA6, X15WA6 - Noryl
	21361	1	Impeller, T20WA6, X20WA6 - Noryl
	21362	1	Impeller, T30WA6, X30WA6 - Noryl
	00947	2	Pipe Plug
12	04231	1	Suction Sleeve - Buna-N
	09695	1	Suction Sleeve - Viton
	20285	1	Suction Sleeve - EPT
13	04236	1	Pipe Plug, 1/4" Brass
14	21182	1	Lock Screw - 3 Phase, 1HP
	21285	1	Lock Screw - 3 Phase, 1 1/2, 2 & 3HP
15	20101	2	Roll Pin
17	09744	1	Base
18	02029	1	Washer, All except 10WA6
19	21236	1	Cap Screw
20	21181-C	1	Washer - 3 Phase, ALL

WARNING:
CANCER AND REPRODUCTIVE HARM -
WWW.P65WARNINGS.CA.GOV

