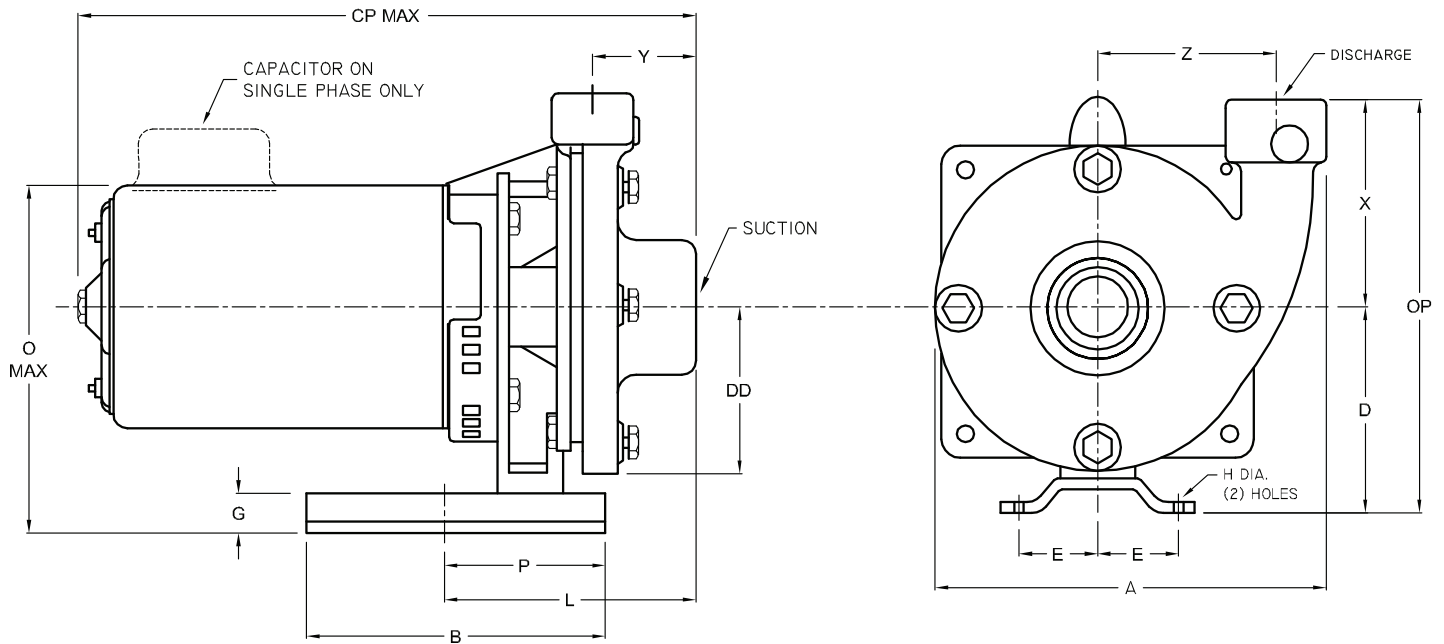




**Close Coupled End Suction**



**DIMENSIONS IN INCHES**

| MODEL | MOTOR FRAME SIZE | DISC NPT (in) | SUCT. NPT (in) | A  | B | CP                             | D  | DD | E                               | G | H    | L                             | O                              | OP                            | P                              | X                               | Y                             | Z                             |
|-------|------------------|---------------|----------------|----|---|--------------------------------|----|----|---------------------------------|---|------|-------------------------------|--------------------------------|-------------------------------|--------------------------------|---------------------------------|-------------------------------|-------------------------------|
| G5-1¼ | 56               | 1¼            | 1½             | 7¾ | 8 | 15¾                            | 4¾ | 3¼ | 1 <sup>15</sup> / <sub>16</sub> | ¾ | 9/16 | 6 <sup>7</sup> / <sub>8</sub> | 8 <sup>9</sup> / <sub>16</sub> | 9 <sup>3</sup> / <sub>8</sub> | 4 <sup>5</sup> / <sub>16</sub> | 4 <sup>7</sup> / <sub>16</sub>  | 2 <sup>3</sup> / <sub>8</sub> | 3 <sup>3</sup> / <sub>8</sub> |
| G6-1¼ | 56               | 1¼            | 1½             | 8½ | 8 | 15 <sup>7</sup> / <sub>8</sub> | 5¼ | 3¾ | 1 <sup>15</sup> / <sub>16</sub> | ¾ | 9/16 | 7¼                            | 9 <sup>1</sup> / <sub>16</sub> | 10                            | 4 <sup>5</sup> / <sub>16</sub> | 4 <sup>11</sup> / <sub>16</sub> | 2½                            | 3¾                            |

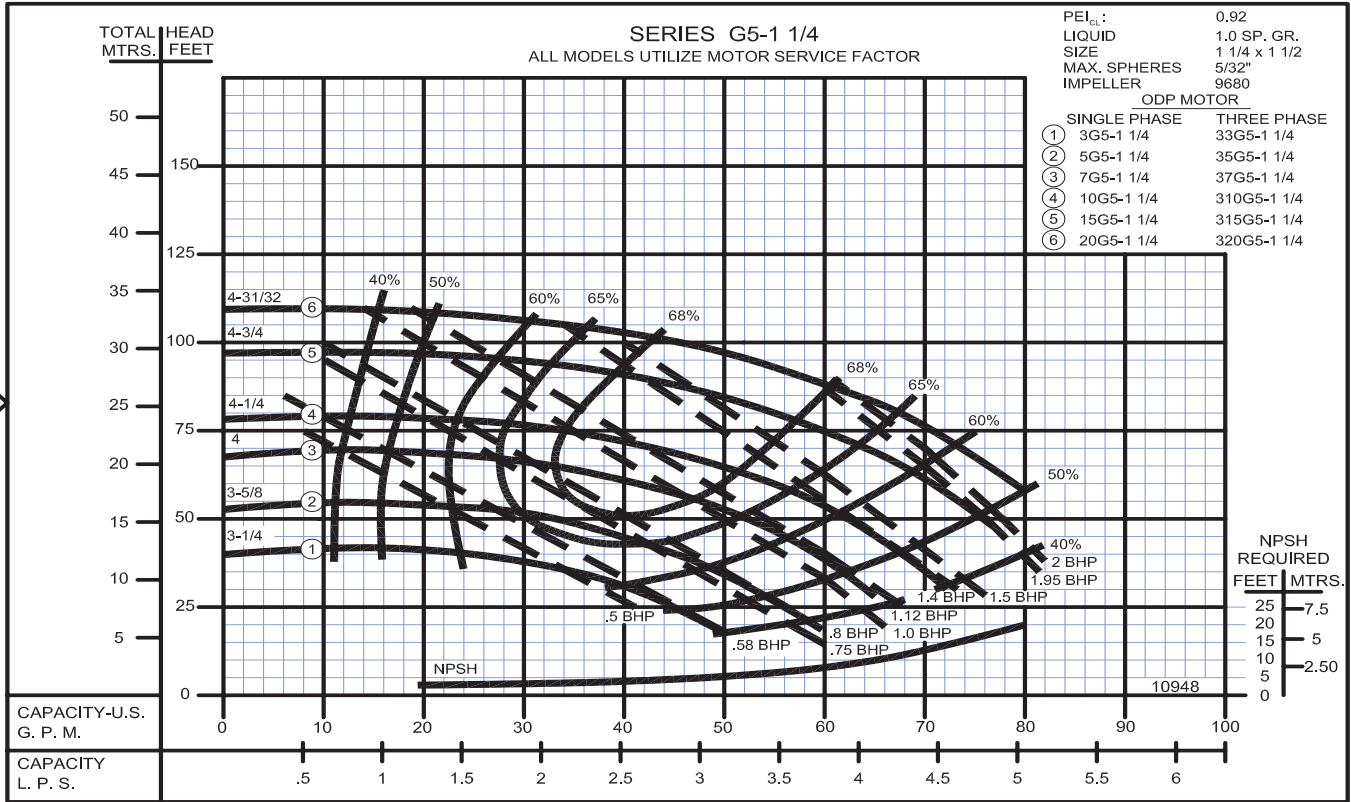
**DIMENSIONS IN MILLIMETERS**

| MODEL | MOTOR FRAME SIZE | DISC NPT (in) | SUCT. NPT (in) | A   | B   | CP  | D   | DD | E  | G  | H  | L   | O   | OP  | P   | X   | Y  | Z  |
|-------|------------------|---------------|----------------|-----|-----|-----|-----|----|----|----|----|-----|-----|-----|-----|-----|----|----|
| G5-1¼ | 56               | 1¼            | 1½             | 197 | 203 | 400 | 121 | 83 | 49 | 19 | 14 | 175 | 217 | 238 | 109 | 113 | 60 | 86 |
| G6-1¼ | 56               | 1¼            | 1½             | 216 | 203 | 403 | 133 | 95 | 49 | 19 | 14 | 184 | 230 | 254 | 109 | 119 | 64 | 95 |

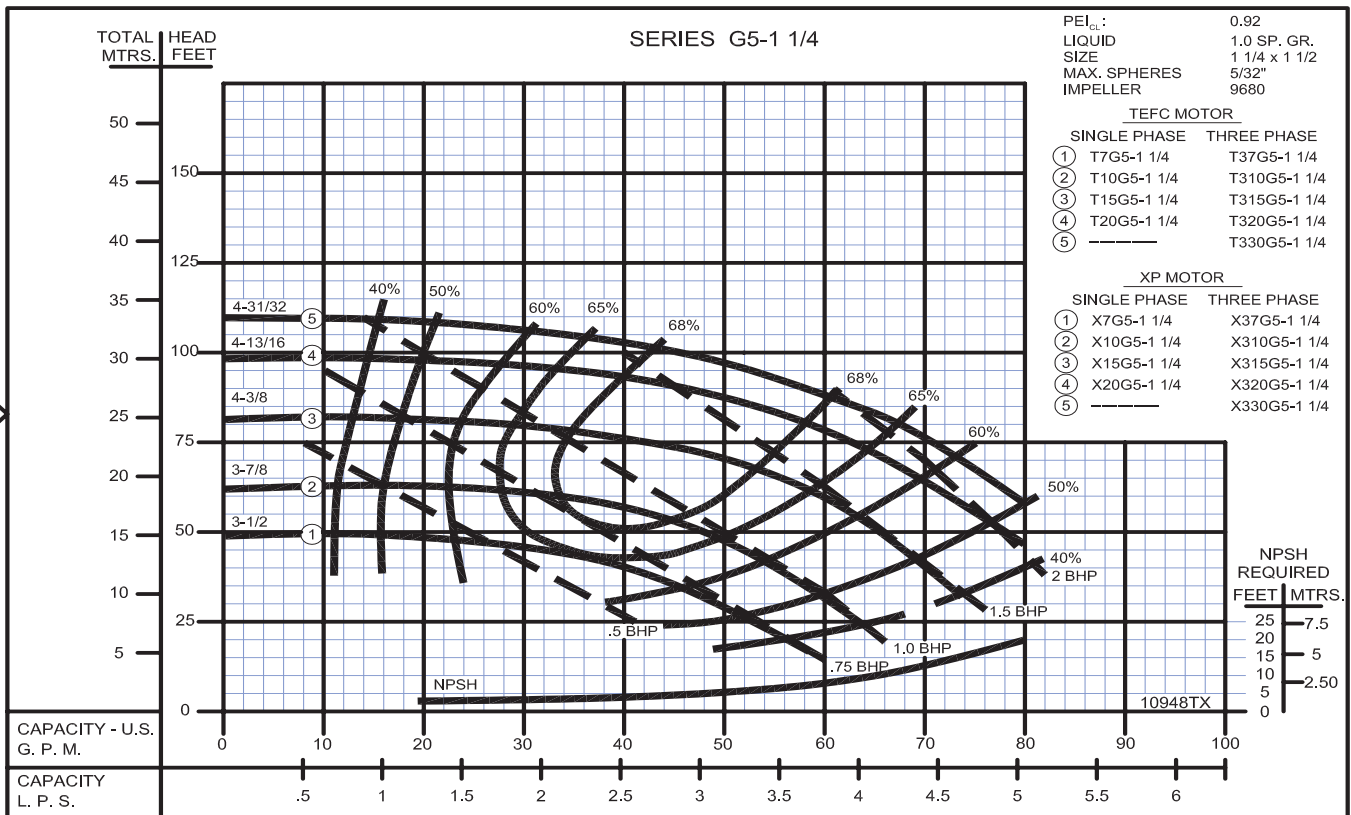
DIMENSIONS SHOWN ABOVE ARE APPROXIMATE MAXIMUM DIMENSIONS FOR STANDARD PUMPS EQUIPPED WITH ODP MOTORS.

**Close Coupled End Suction**

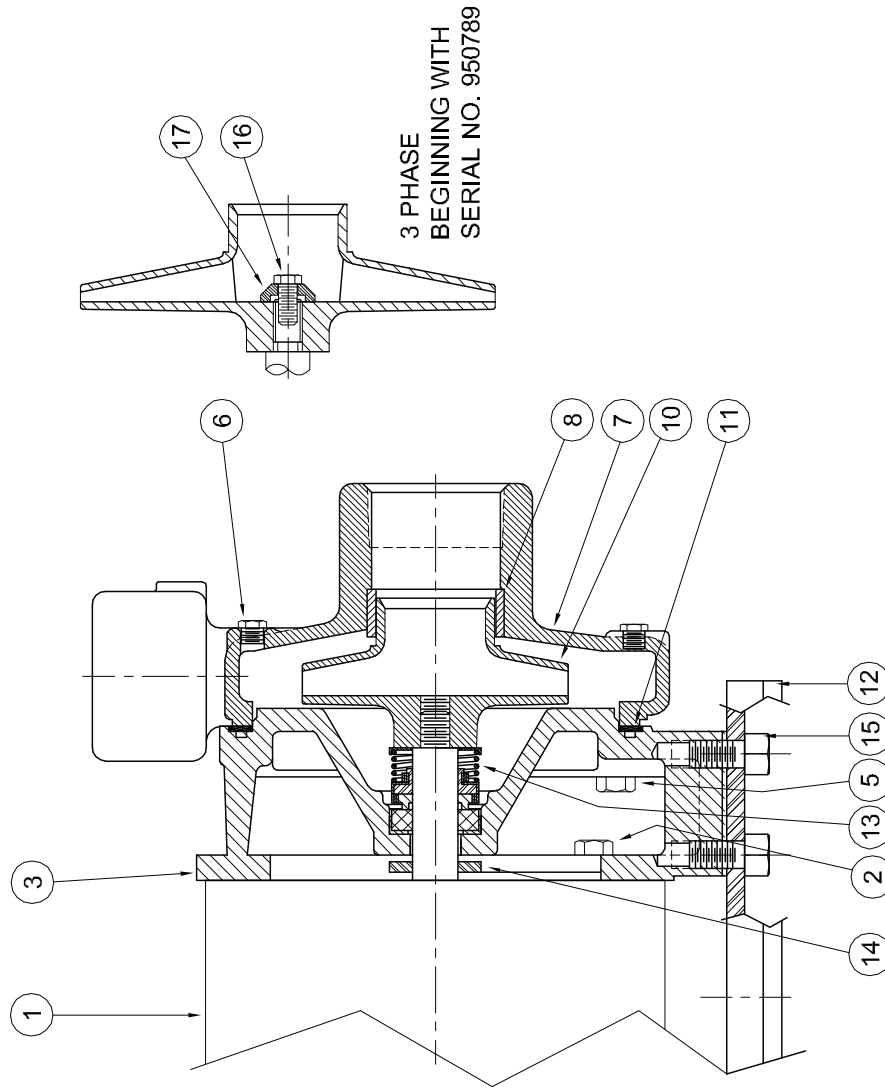
3500 RPM



3500 RPM




**Centrifugals - Close Coupled**



| 1 - MOTORS (All 56J Frame)                |                        | HP  |
|---|------------------------|-----|
| RPM & PHASE                               | PART NUMBER            |     |
| <b>OPEN DRIP PROOF</b>                    |                        |     |
| 3500 RPM<br>Single Phase<br>(ODP)         | 003-211-371-02         | 1/3 |
|   | 005-211-371-02         | 1/2 |
|   | 007-211-371-02         | 3/4 |
|   | 010-211-371-02         | 1   |
|   | 015-211-371-02         | 1½  |
|   | 020-211-371-02         | 2   |
| 030-215-371-02                            | 3                      |     |
| 3500 RPM<br>Three Phase<br>(ODP)          | 003-230-361-02         | 1/3 |
|   | 005-230-361-02         | 1/2 |
|   | 007-230-361-02         | 3/4 |
|   | 010-230-361-02         | 1   |
|   | 015-230-361-02         | 1½  |
|   | 020-230-361-02         | 2   |
| 030-230-361-02                            | 3                      |     |
| <b>TOTALLY ENCLOSED</b>                   |                        |     |
| 3500 RPM<br>Single Phase<br>(TENV / TEFC) | 005-211-372-02         | 1/2 |
|   | 007-211-372-02         | 3/4 |
|   | 010-211-372-02         | 1   |
|   | 015-211-372-02         | 1½  |
|   | 020-211-372-02         | 2   |
|   | 005-230-362-02         | 1/2 |
| 3500 RPM<br>Three Phase<br>(TENV / TEFC)  | 007-230-362-02         | 3/4 |
|   | 010-230-362D02         | 1   |
|   | 015-230-362D02         | 1½  |
|   | 020-230-362D02         | 2   |
|   | 030-230-362D02         | 3   |
|   | <b>EXPLOSION PROOF</b> |     |
| 3500 RPM<br>Single Phase<br>(XP)          | 005-211-374-02         | 1/2 |
|   | 007-211-374-02         | 3/4 |
|   | 010-211-374-02         | 1   |
|   | 015-211-374-02         | 1½  |
|   | 020-211-374-02         | 2   |
|   | 005-230-364-02         | 1/2 |
| 3500 RPM<br>Three Phase<br>(XP)           | 007-230-364-02         | 3/4 |
|   | 010-230-364-02         | 1   |
|   | 015-230-364-02         | 1½  |
|   | 020-230-364-02         | 2   |
|   | 030-230-364-02         | 3   |

## Centrifugals - Close Coupled

| SYMBOL NUMBER   | PART NUMBER  | QTY | DESCRIPTION                  |
|---|--------------|-----|------------------------------|
| <b>DIFFERING PARTS FOR ALL BRONZE CONSTRUCTION</b>  |              |     |                              |
| 2   | 03122-A      | 4   | Cap Screw                    |
| 3   | 09630-A      | 1   | Adapter - Bronze - G5-1-1/4  |
| 5   | 09657-A      | 1   | Adapter - Bronze - G6-1-1/4  |
| * 7   | 03288        | 4   | Cap Screw                    |
|   | 22148-A      | 1   | Casing Assy - G5-1-1/4AB     |
|   | 22149-A      | 1   | Casing Assy - G6-1-1/4AB     |
| 15  | 03289        | 2   | Cap Screw & 20056 Washer     |
| <b>DIFFERING PARTS FOR ALL IRON CONSTRUCTION</b>  |              |     |                              |
| 6   | 00158        | 5   | Pipe Plug 1/8"               |
| 7   | 22148-B      | 1   | Casing Assy - G5-1-1/4AI     |
|   | 22149-B      | 1   | Casing Assy - G6-1-1/4AI     |
| 8   | 09632-C      | 1   | Wear Ring                    |
|   | 09680-C-3.25 | 1   | Impeller - 3G5-1-1/4AI       |
|   | 09680-C-3.63 | 1   | Impeller - 5G5-1-1/4AI       |
|   | 09680-C-4.00 | 1   | Impeller - 7G5-1-1/4AI       |
|   | 09680-C-4.25 | 1   | Impeller - 10G5-1-1/4AI      |
|   | 09680-C-4.75 | 1   | Impeller - 15G5-1-1/4AI      |
|   | 09680-C-4.97 | 1   | Impeller - 20G5-1-1/4AI      |
| 10  | 09680-C-4.25 | 1   | Impeller - 10G6-1-1/4AI      |
|   | 09680-C-4.75 | 1   | Impeller - 15G6-1-1/4AI      |
|   | 09680-C-5.13 | 1   | Impeller - 20G6-1-1/4AI      |
|   | 09680-C-5.66 | 1   | Impeller - 30G6-1-1/4AI      |
| Stock pump Catalog Number shown are for 1 phase units.<br>Use same impellers for 3 phase units. |              |     |                              |
| 17  | 21181-A      | 1   | Washer - SS                  |
| <b>DIFFERING PARTS FOR G5-1/4SS CONSTRUCTION</b>  |              |     |                              |
| 3   | 09630-B      | 1   | Adapter                      |
| 5   | 04235-A      | 4   | Cap Screw SS                 |
| 6   | 01691-B      | 5   | Pipe Plug - 1/8" SS          |
| 7   | 09633-B      | 1   | Casing Assy                  |
|   | 09680-B-3.25 | 1   | Impeller - 3G5-1-1/4SS       |
|   | 09680-B-3.63 | 1   | Impeller - 5G5-1-1/4SS       |
|   | 09680-B-4.00 | 1   | Impeller - 7G5-1-1/4SS       |
|   | 09680-B-4.25 | 1   | Impeller - 10G5-1-1/4SS      |
|   | 09680-B-4.75 | 1   | Impeller - 15G5-1-1/4SS      |
|   | 09680-B-4.97 | 1   | Impeller - 20G5-1-1/4SS      |
| 11  | 23023        | 1   | O-Ring Gasket - Buna N (Std) |
|   | 21021        | 1   | O-Ring Gasket - Viton        |
|   | 23024        | 1   | O-Ring Gasket - EPT**        |
| 17  | 21181-A      | 1   | Washer - SS                  |

| SYMBOL NUMBER  | PART NUMBER | QTY | DESCRIPTION                    |
|--|-------------|-----|--------------------------------|
| 2  | 03122       | 4   | Cap Screw                      |
| 3  | 09630       | 1   | Adapter - G5-1-1/4             |
|  | 09630-C     | 1   | Adapter w/Flush Tap - G5-1-1/4 |
|  | 09657       | 1   | Adapter - G6-1-1/4             |
|  | 09657-2     | 1   | Adapter w/Flush Tap - G6-1-1/4 |
| 5  | 04235       | 4   | Cap Screw, 3/8" x 1 1/4" Lg    |
| 6  | 01691-A     | 5   | Pipe Plug, 1/8" Brass          |
| * 7  | 22148       | 1   | Casing Assy - G5-1-1/4         |
|  | 22149       | 1   | Casing Assy - G6-1-1/4         |
| 8  | 09632-D     | 1   | Wear Ring                      |
|  | 09680-3.25  | 1   | Impeller - 3G5-1-1/4           |
|  | 09680-3.63  | 1   | Impeller - 5G5-1-1/4           |
|  | 09680-4.00  | 1   | Impeller - 7G5-1-1/4           |
|  | 09680-4.25  | 1   | Impeller - 10G5-1-1/4          |
|  | 09680-4.75  | 1   | Impeller - 15G5-1-1/4          |
|  | 09680-4.97  | 1   | Impeller - 20G5-1-1/4          |
| 10   | 09680-4.25  | 1   | Impeller - 10G6-1-1/4          |
|  | 09680-4.75  | 1   | Impeller - 15G6-1-1/4          |
|  | 09680-5.13  | 1   | Impeller - 20G6-1-1/4          |
|  | 09680-5.66  | 1   | Impeller - 30G6-1-1/4          |
| Stock pump Catalog Number shown are for 1 phase units.<br>Use same impellers for 3 phase units.  |             |     |                                |
|  | 09634       | 1   | Flat Gasket - G5-1-1/4         |
|  | 08507       | 1   | Flat Gasket - G6-1-1/4         |
| <b>G5-1/4 Series</b>   |             |     |                                |
|  | 21333       | 1   | O-Ring Gasket - Buna N (Std)   |
|  | 21546       | 1   | O-Ring Gasket - Viton          |
|  | 22132       | 1   | O-Ring Gasket - EPT**          |
|  | 22058       | 1   | O-Ring Gasket - Teflon         |
| +11  |             |     |                                |
| <b>G6-1/4 Series</b>   |             |     |                                |
|  | 22021       | 1   | O-Ring Gasket - Buna N (Std)   |
|  | 22020       | 1   | O-Ring Gasket - Viton          |
|  | 22133       | 1   | O-Ring Gasket - EPT**          |
|  | 22102       | 1   | O-Ring Gasket - Teflon         |
| 12   | 08827       | 1   | Base                           |
| 13   | 08514       | 1   | Mechanical Seal - Buna N (Std) |
|  | 09762       | 1   | Mechanical Seal - Viton        |
|  | 20764-C     | 1   | Mechanical Seal - EPT**        |
| 14   | 08105       | 1   | Slinger Washer                 |
| 15   | 01928       | 2   | Cap Screw & 03503 Washer       |
| 16   | 21182       | 1   | Screw                          |
| 17   | 21181-C     | 1   | Washer - Bronze                |
| <p><b>WARNING:</b><br/>           CANCER AND REPRODUCTIVE HARM -<br/>           WWW.P65WARNINGS.CA.GOV</p>  |             |     |                                |

(\*) Includes Symbol 6 & 8  
 (\*\*) For hot water or Caustic service.  
 (+) G5-1/4 and G6-1/4 Series pumps have been manufactured with either a flat or O-ring type gasket. Determine which type is required before ordering. When in doubt, order flat gasket.