

Close Coupled Self Priming Pumps



| 60 Hz - PERFORMANCE AND SELECTION 1.00 S.G. FLUIDS | | | | | | | | | | | | |
|--|---------|-----|----------|--------|--|------------|----------|------------|----------|-------------|-------------|--|
| Catalog No.* | | HP | Tappings | | Capacity in GPM (LPS) - Total Head Feet (Meters) | | | | | | | |
| 1 Phase | 3 Phase | | Suct. | Disch. | 10' (3m) | 15' (4.5m) | 20' (6m) | 25' (7.6m) | 30' (9m) | 35' (10.6m) | 38' (11.5m) | |
| A3WT3A | 33WT3A | 1/3 | 1" | 1" | 42 (2.6) | 40 (2.5) | 37 (2.3) | 33 (2.0) | 26 (1.6) | 17 (1.0) | 9 (0.5) | |

| Catalog No.** | Catalog No. w/ Strainer** | HP | Tappings | | Capacity in GPM (LPS) - Total Head Feet (Meters) | | | | | | | | |
|---------------|---------------------------|-----|----------|--------|--|-----------|-----------|-----------|-----------|-----------|-----------|-----------|-----------|
| | | | Suct. | Disch. | 10' (3m) | 20' (6m) | 30' (9m) | 40' (12m) | 50' (15m) | 60' (18m) | 70' (21m) | 80' (24m) | 90' (27m) |
| 5WT5 | 5WT5X | 1/2 | 2" | 2" | 55 (3.4) | 49 (3.0) | 43 (2.7) | 37 (2.3) | 30 (1.8) | 21 (1.3) | 10 (0.6) | --- | --- |
| 7WT5 | 7WT5X | 3/4 | | | 72 (4.5) | 70 (4.4) | 66 (4.1) | 61 (3.8) | 52 (3.2) | 40 (2.5) | 24 (1.5) | --- | --- |
| 10WT5 | 10WT5X | 1 | | | 81 (5.1) | 79 (4.9) | 76 (4.7) | 72 (4.5) | 65 (4.1) | 54 (3.4) | 40 (2.5) | 20 (1.2) | --- |
| 15WT5 | 15WT5X | 1½ | | | 86 (5.4) | 86 (5.4) | 84 (5.2) | 80 (5.0) | 75 (4.7) | 67 (4.2) | 54 (3.4) | 38 (2.3) | 18 (1.1) |
| 20WT5 | 20WT5X | 2 | | | 94 (5.9) | 93 (5.8) | 92 (5.8) | 89 (5.6) | 85 (5.3) | 78 (4.9) | 67 (4.2) | 50 (3.1) | 30 (1.8) |
| 20WT5A | 20WT5AX | 2 | | | 140 (8.8) | 140 (8.8) | 132 (8.3) | 119 (7.5) | 99 (6.2) | --- | --- | --- | --- |

(**) Catalog numbers are for units with single phase motors. For three phase, add prefix, "3". Example: 35WT5X.

(*) Maximum suction lift on WT3A - 7ft.
Maximum suction lift on WT5 series - 20ft.

For Water and Other 1.00 S.G. Fluids

3500 RPM - 60 Hz.

Close Coupled Self Priming Pumps



- Compact, Close-Coupled Design
- Rugged Bronze-Fitted Cast Iron Construction
- Leakproof Mechanical Shaft Seal
- Non-Clogging, Bronze Semi-Open Impeller
- Stainless Steel Shaft
- Back Pull-Out Design For Easy Servicing
- Available With or Without Built-In Basket Type Strainer
- Self-Priming, Once Case is Filled With Fluid
- Diaphragms, Flappers or Check Valves Are Not Required In Pump Suction Piping. But Are Recommended
- EVERY pump is factory tested and will meet Hydraulic Institute standards.

MOTOR INFORMATION

WT3A Series have NEMA Jet Pump Motors. WT5 & WT5X Series have rugged Swimming Pool type motors with oversize ball/ball bearing construction. All motors have open-drip proof construction and are rated with standard NEMA Jet Pump service factors for continuous duty operation at all ratings shown. Voltages may differ from some suppliers. Consult factory. Overload Protection: All single phase motors have built-in overload protection. All three phase motors must be installed with a magnetic starter which provides full 3-leg protection. Failure to use correct starter and overloads will void motor warranty. All Single Phase Open Drip Proof Motors Are U.L. Recognized.



WARNING:
CANCER AND REPRODUCTIVE HARM -
WWW.P65WARNINGS.CA.GOV

RATINGS

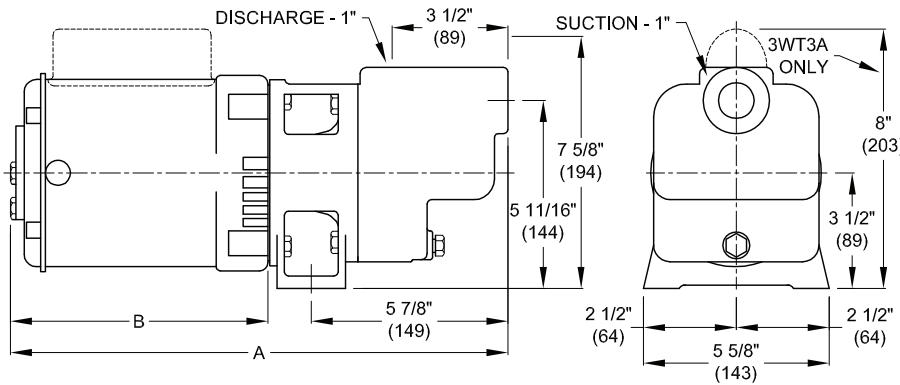
A3WT3A-1/3 HP, Single Phase, 115V, 60Hz, 3500RPM, ODP, Split Phase.
3WT3A-1/3 HP, Single Phase, 115/230V, 60Hz, 3500RPM, ODP, Capacitor Start.
33WT3A-1/3 HP, Three Phase, 230/460V, 60Hz, 3500RPM, ODP
WT5 & WT5X Series: Single Phase: 1/2 thru 2HP, 115/230V, 60HZ, 3500RPM, ODP, Capacitor Start.
Three Phase: 1/2 thru 2HP, 230/460V, 60HZ, 3500RPM, ODP.

| | |
|---|----------------------------|
| PumpAgents.com <i>Wholesale Pump Agents</i> | CONDITIONS |
| | 225°F (107°C) |
| | INLET PRESSURE (WT3 & WT5) |
| | 100 PSI (689kPa) |
| | INLET PRESSURE (WT5X) |
| 15 PSI (103kPa) | |
| CASING WORKING PRESSURE (WT3 & WT5) | |
| 165 PSI (1137kPa) | |
| CASING WORKING PRESSURE (WT5X) | |
| 60 PSI (413kPa) | |

| MATERIALS OF CONSTRUCTION | | |
|---------------------------|----------------------------|---------------|
| PART | CAST IRON | BRONZE FITTED |
| Adapter | Cast Iron | Cast Iron |
| Case | Cast Iron | Cast Iron |
| Diffuser | Cast Iron | Cast Iron |
| Impeller | Cast Iron | Bronze |
| Shaft | Stainless | Stainless |
| Shaft Seal | Carbon-Ceramic SS - Buna-N | |
| Suction Sleeve | Buna-N | Buna-N |
| Strainer Gasket | Buna-N | Buna-N |
| Strainer Basket | Stainless | Stainless |
| All Plugs | Brass | Stainless |

Close Coupled Self Priming Pumps

SERIES: WT3A

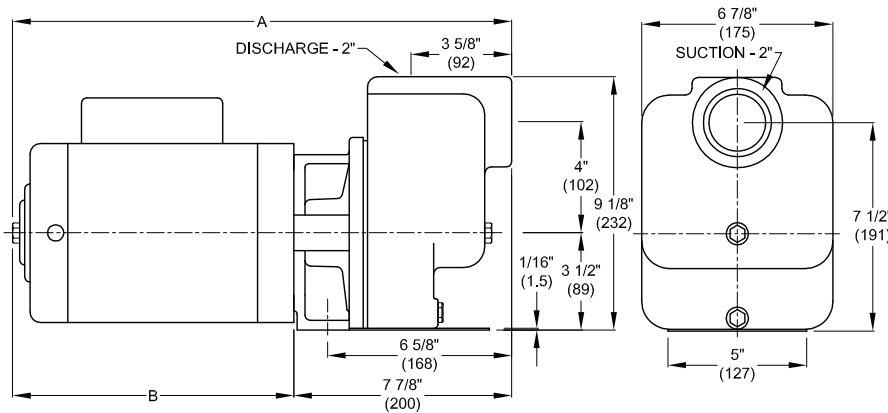


| DIMENSIONS IN INCHES | | | | |
|----------------------|--------------------------------|-------------------------------|--------------------------------|-------------------------------|
| CATALOG NUMBER | SINGLE PHASE | | THREE PHASE | |
| | A | B | A | B |
| A3WT3A | 15 | 7 ⁷ / ₈ | --- | --- |
| 3WT3A | 15 ¹ / ₂ | 8 ³ / ₈ | --- | --- |
| 33WT3A | --- | --- | 15 ¹ / ₂ | 8 ³ / ₈ |

| DIMENSIONS IN MILLIMETERS | | | | |
|---------------------------|--------------|-----|-------------|-----|
| CATALOG NUMBER | SINGLE PHASE | | THREE PHASE | |
| | A | B | A | B |
| A3WT3A | 381 | 200 | --- | --- |
| 3WT3A | 393 | 212 | --- | --- |
| 33WT3A | --- | --- | 393 | 212 |

All models have 1" NPT suction and discharge.

SERIES: WT5

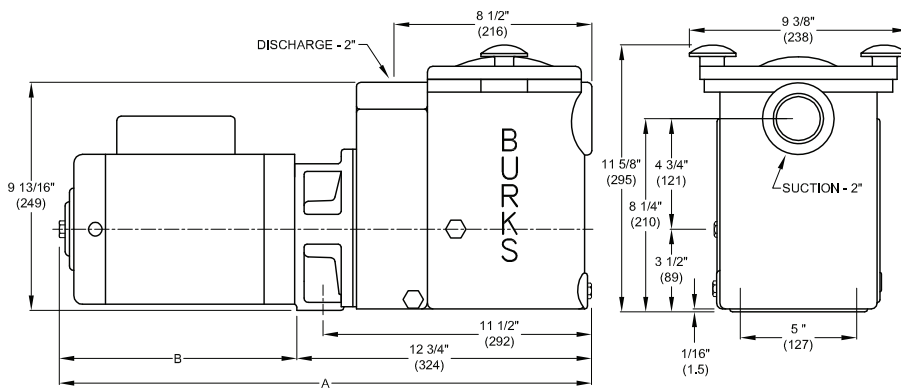


| DIMENSIONS IN INCHES | | | | |
|----------------------|--------------------------------|--------------------------------|--------------------------------|-------------------------------|
| CATALOG NUMBER | SINGLE PHASE | | THREE PHASE | |
| | A | B | A | B |
| 5WT5 | 15 ⁷ / ₈ | 8 | 15 ⁵ / ₈ | 7 ³ / ₄ |
| 7WT5 | 16 ⁷ / ₈ | 9 | 16 ⁷ / ₈ | 9 |
| 10WT5 | 17 ¹ / ₄ | 9 ³ / ₈ | 16 ⁷ / ₈ | 9 |
| 15WT5 | 18 | 10 ¹ / ₈ | 16 ⁷ / ₈ | 9 |
| 20WT5 | 18 | 10 ¹ / ₈ | 17 ¹ / ₄ | 9 ³ / ₈ |
| 20WT5A | 18 | 10 ¹ / ₈ | 17 ¹ / ₄ | 9 ³ / ₈ |

| DIMENSIONS IN MILLIMETERS | | | | |
|---------------------------|--------------|-----|-------------|-----|
| CATALOG NUMBER | SINGLE PHASE | | THREE PHASE | |
| | A | B | A | B |
| 5WT5 | 403 | 203 | 396 | 196 |
| 7WT5 | 428 | 228 | 428 | 228 |
| 10WT5 | 438 | 238 | 428 | 228 |
| 15WT5 | 457 | 257 | 428 | 228 |
| 20WT5 | 457 | 257 | 438 | 238 |
| 20WT5A | 457 | 257 | 438 | 238 |

All models have 2" NPT suction and discharge.

SERIES: WT5X



| DIMENSIONS IN INCHES | | | | |
|----------------------|--------------------------------|--------------------------------|--------------------------------|-------------------------------|
| CATALOG NUMBER | SINGLE PHASE | | THREE PHASE | |
| | A | B | A | B |
| 5WT5X | 20 ³ / ₄ | 8 | 20 ¹ / ₂ | 7 ³ / ₄ |
| 7WT5X | 21 ¹ / ₄ | 9 | 21 ¹ / ₄ | 9 |
| 10WT5X | 22 ¹ / ₈ | 9 ³ / ₈ | 21 ¹ / ₄ | 9 |
| 15WT5X | 22 ⁷ / ₈ | 10 ¹ / ₈ | 21 ¹ / ₄ | 9 |
| 20WT5X | 22 ⁷ / ₈ | 10 ¹ / ₈ | 22 ¹ / ₈ | 9 ³ / ₈ |
| 20WT5AX | 22 ⁷ / ₈ | 10 ¹ / ₈ | 22 ¹ / ₈ | 9 ³ / ₈ |

| DIMENSIONS IN MILLIMETERS | | | | |
|---------------------------|--------------|-----|-------------|-----|
| CATALOG NUMBER | SINGLE PHASE | | THREE PHASE | |
| | A | B | A | B |
| 5WT5X | 527 | 203 | 520 | 196 |
| 7WT5X | 552 | 228 | 552 | 228 |
| 10WT5X | 561 | 238 | 552 | 228 |
| 15WT5X | 581 | 257 | 552 | 228 |
| 20WT5X | 581 | 257 | 561 | 238 |
| 20WT5AX | 581 | 257 | 561 | 238 |

All models have 2" NPT suction and discharge.

DO NOT USE FOR CONSTRUCTION PURPOSES. CERTIFIED DRAWINGS AVAILABLE ON REQUEST

Centrifugals - Self-Priming



NOTE: Impeller must extend from face of frame as follows:
Pumps with
20405 Diffuser - 33/64"
20405-1 Diffuser - 9/32"
20406 Diffuser - 15/64"
Shim washers (Symbol 15) may be added or removed as required to obtain dimensions.

| 1 - MOTORS | | | HP |
|--|----------------|-----|----|
| RPM & PHASE | PART NUMBER | | |
| FOR WT5 & WPT5 (Std) SERIES OPEN DRIP PROOF | | | |
| 3500 RPM Single Phase (ODP) | 005-211-371-02 | 1/2 | |
| | 007-211-371-02 | 3/4 | |
| | 010-211-371-02 | 1 | |
| | 015-211-371-02 | 1½ | |
| | 020-211-371-02 | 2 | |
| 030-215-371-02 | 3 | | |
| 3500 RPM Three Phase (ODP) | 005-230-371-02 | 1/2 | |
| | 007-230-371-02 | 3/4 | |
| | 010-230-371-02 | 1 | |
| | 015-230-371-02 | 1½ | |
| | 020-230-371-02 | 2 | |
| 030-230-371-02 | 3 | | |
| FOR WST5 (Std) SERIES EXPLOSION PROOF | | | |
| 3500 RPM Single Phase (XP) | 005-211-374-02 | 1/2 | |
| | 007-211-374-02 | 3/4 | |
| | 010-211-374-02 | 1 | |
| | 015-211-374-02 | 1½ | |
| 020-211-374-02 | 2 | | |
| 3500 RPM Three Phase (XP) | 005-230-364-02 | 1/2 | |
| | 007-230-364-02 | 3/4 | |
| | 010-230-364-02 | 1 | |
| | 015-230-364-02 | 1½ | |
| 020-230-364-02 | 2 | | |

Centrifugals - Self-Priming

| SYMBOL NUMBER | PART NUMBER | QTY | DESCRIPTION |
|-----------------------|-------------|-----|---|
| ◆ 9 | 08507 | 1 | Flat Gasket |
| | 22021 | 1 | O-Ring - Buna-N, WT5 & WST5 (Std) |
| | 22020 | 1 | O-Ring - Viton, WPT5 (Std) |
| | 22133 | 1 | O-Ring - EPDM** |
| | 22102 | 1 | O-Ring - Teflon |
| 10 | 09453 | 2 | Pin |
| 11 | 20405 | 1 | Diffuser - 20WT5A & 320WT5A 30WPT5A & 330WPT5A X20WST5A & X320WST5A |
| 12 | 20405-1 | 1 | Diffuser - 5WPT5 & 35WPT5 |
| | 20406 | 1 | Diffuser - All except above |
| | 04231 | 1 | Suction Sleeve - Buna-N, WT5 & WST5 (Std) |
| 13 | 09695 | 1 | Suction Sleeve - Viton, WPT5 (Std) |
| | 20285 | 1 | Suction Sleeve - EPT** |
| | 20295 | 1 | Case |
| 14 | 04236 | 2 | Plug 1/4-18 NPT |
| 15 | 20628 | 1 | Washer, 1/16 - 7WPT5 & 37WPT5 |
| 16 | 08542-A | A/R | Washer, .032" |
| | 20294 | A/R | Washer, .010" |
| | 20497 | A/R | Washer, .005" |
| ALL IRON PARTS | | | |
| 5 | | 1 | Impeller (Omit Letter A) |
| 14 | 04236-A | 2 | Plug, 1/4-18 NPT |

(*) WT5, WPT5 & WST5 Series pumps have been manufactured with either cast iron or bronze impellers as standard. All replacement impellers will be bronze as listed, unless iron is specified. For iron impellers, omit the letter "A" from part number. EXAMPLE: 20409-8.

(**) For hot water or caustic service.

(◆) Series WT5, WPT5 & WST5 pumps have been manufactured with either a flat or O-ring type gasket. Determine which type is required before ordering. When in doubt, order flat gasket.

| SYMBOL NUMBER | PART NUMBER | QTY | DESCRIPTION | |
|---|---|-------------------|--|--|
| 2 | 08105 | 1 | Slinger Washer | |
| 3 | 08514 | 1 | Mechanical Seal - Buna-N (Std) | |
| | 09762 | 1 | Mechanical Seal - Viton | |
| | 20764-C | 1 | Mechanical Seal - EPT** | |
| | 01928 | 4 | Cap Screw 3/8 x 1" Lg | |
| FOR SERIES WT5, 1 & 3 PHASE | | | | |
| * 5 | 20409-A-8 | 1 | Impeller, 5WPT5 | |
| | 20409-A-2 | 1 | Impeller, 7WPT5 | |
| | 20409-A-4 | 1 | Impeller, 10WPT5 | |
| | 20409-A-1 | 1 | Impeller, 15WPT5 | |
| | 20409-A | 1 | Impeller, 20WPT5 | |
| | 20408-A | 1 | Impeller, 20WPT5A | |
| | FOR SERIES WPT5, 1 & 3 PHASE | | | |
| | 20407-A | 1 | Impeller, 5WPT5 | |
| | 20409-A-6 | 1 | Impeller, 7WPT5 | |
| | 20409-A-5 | 1 | Impeller, 10WPT5 | |
| 20409-A-2 | 1 | Impeller, 15WPT5 | | |
| 20409-A-4 | 1 | Impeller, 20WPT5 | | |
| 20409-A | 1 | Impeller, 20WPT5A | | |
| 20408-A | 1 | Impeller, 30WPT5A | | |
| FOR SERIES WST5, 1 & 3 PHASE | | | | |
| 6 | 20409-A-7 | 1 | Impeller, X5WST5 | |
| | 20409-A-5 | 1 | Impeller, X7WST5 | |
| | 20409-A-2 | 1 | Impeller, X10WST5 | |
| | 20409-A-1 | 1 | Impeller, X15WST5 | |
| | 20409-A | 1 | Impeller, X20WST5 | |
| | 20408-A | 1 | Impeller, X20WST5A | |
| | 20459 | 1 | Impeller Lock Nut | |
| | 04235 | 4 | Cap Screw 3/8 x 1 1/4 | |
| 7 | 20245 | 1 | Adapter - 20WT5A & 320WT5A 5WPT5 & 35WPT5 30WPT5A & 330WPT5A X20WST5A & X320WST5A | |
| | 20245-1 | 1 | Adapter - All except above | |
| 8 | | | | |

WARNING:
CANCER AND REPRODUCTIVE HARM -
WWW.P65WARNINGS.CA.GOV

