

Close Coupled End Suction



DIMENSIONS IN INCHES

| MODEL | MOTOR FRAME SIZE | DISC NPT (in) | SUCT. NPT (in) | A | B | CP | D | DD | E | G | H | L | O | OP | P | X | Y | Z |
|-------|------------------|---------------|----------------|----|---|--------------------------------|----|----|---------------------------------|---|------|-------------------------------|--------------------------------|-------------------------------|--------------------------------|---------------------------------|-------------------------------|-------------------------------|
| G5-1¼ | 56 | 1¼ | 1½ | 7¾ | 8 | 15¾ | 4¾ | 3¼ | 1 ¹⁵ / ₁₆ | ¾ | 9/16 | 6 ⁷ / ₈ | 8 ⁹ / ₁₆ | 9 ³ / ₈ | 4 ⁵ / ₁₆ | 4 ⁷ / ₁₆ | 2 ³ / ₈ | 3 ³ / ₈ |
| G6-1¼ | 56 | 1¼ | 1½ | 8½ | 8 | 15 ⁷ / ₈ | 5¼ | 3¾ | 1 ¹⁵ / ₁₆ | ¾ | 9/16 | 7¼ | 9 ¹ / ₁₆ | 10 | 4 ⁵ / ₁₆ | 4 ¹¹ / ₁₆ | 2½ | 3¾ |

DIMENSIONS IN MILLIMETERS

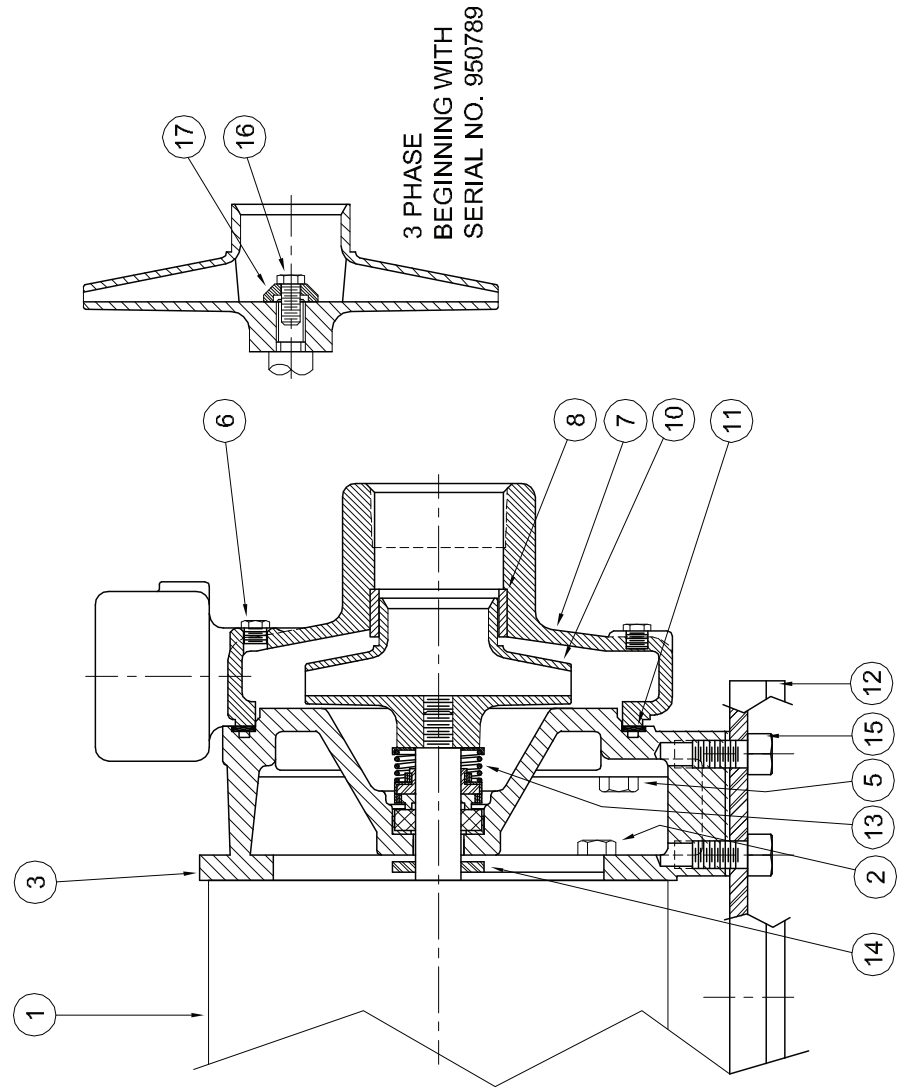
| MODEL | MOTOR FRAME SIZE | DISC NPT (in) | SUCT. NPT (in) | A | B | CP | D | DD | E | G | H | L | O | OP | P | X | Y | Z |
|-------|------------------|---------------|----------------|-----|-----|-----|-----|----|----|----|----|-----|-----|-----|-----|-----|----|----|
| G5-1¼ | 56 | 1¼ | 1½ | 197 | 203 | 400 | 121 | 83 | 49 | 19 | 14 | 175 | 217 | 238 | 109 | 113 | 60 | 86 |
| G6-1¼ | 56 | 1¼ | 1½ | 216 | 203 | 403 | 133 | 95 | 49 | 19 | 14 | 184 | 230 | 254 | 109 | 119 | 64 | 95 |

DIMENSIONS SHOWN ABOVE ARE APPROXIMATE MAXIMUM DIMENSIONS FOR STANDARD PUMPS EQUIPPED WITH ODP MOTORS.

Close Coupled End Suction



Centrifugals - Close Coupled



| 1 - MOTORS (All 56J Frame) | | HP |
|---|------------------------|-----|
| RPM & PHASE | PART NUMBER | |
| OPEN DRIP PROOF | | |
| 3500 RPM Single Phase (ODP) | 003-211-371-02 | 1/3 |
| | 005-211-371-02 | 1/2 |
| | 007-211-371-02 | 3/4 |
| | 010-211-371-02 | 1 |
| | 015-211-371-02 | 1½ |
| | 020-211-371-02 | 2 |
| 030-215-371-02 | 3 | |
| 3500 RPM Three Phase (ODP) | 003-230-361-02 | 1/3 |
| | 005-230-361-02 | 1/2 |
| | 007-230-361-02 | 3/4 |
| | 010-230-361-02 | 1 |
| | 015-230-361-02 | 1½ |
| | 020-230-361-02 | 2 |
| 030-230-361-02 | 3 | |
| TOTALLY ENCLOSED | | |
| 3500 RPM Single Phase (TENV / TEFC) | 005-211-372-02 | 1/2 |
| | 007-211-372-02 | 3/4 |
| | 010-211-372-02 | 1 |
| | 015-211-372-02 | 1½ |
| | 020-211-372-02 | 2 |
| | 005-230-362-02 | 1/2 |
| 3500 RPM Three Phase (TENV / TEFC) | 007-230-362-02 | 3/4 |
| | 010-230-362D02 | 1 |
| | 015-230-362D02 | 1½ |
| | 020-230-362D02 | 2 |
| | 030-230-362D02 | 3 |
| | EXPLOSION PROOF | |
| 3500 RPM Single Phase (XP) | 005-211-374-02 | 1/2 |
| | 007-211-374-02 | 3/4 |
| | 010-211-374-02 | 1 |
| | 015-211-374-02 | 1½ |
| | 020-211-374-02 | 2 |
| | 005-230-364-02 | 1/2 |
| 3500 RPM Three Phase (XP) | 007-230-364-02 | 3/4 |
| | 010-230-364-02 | 1 |
| | 015-230-364-02 | 1½ |
| | 020-230-364-02 | 2 |
| | 030-230-364-02 | 3 |

Centrifugals - Close Coupled

| SYMBOL NUMBER | PART NUMBER | QTY | DESCRIPTION |
|---|--------------|-----|------------------------------|
| DIFFERING PARTS FOR ALL BRONZE CONSTRUCTION | | | |
| 2 | 03122-A | 4 | Cap Screw |
| 3 | 09630-A | 1 | Adapter - Bronze - G5-1-1/4 |
| 5 | 09657-A | 1 | Adapter - Bronze - G6-1-1/4 |
| * 7 | 03288 | 4 | Cap Screw |
| | 22148-A | 1 | Casing Assy - G5-1-1/4AB |
| | 22149-A | 1 | Casing Assy - G6-1-1/4AB |
| 15 | 03289 | 2 | Cap Screw & 20056 Washer |
| DIFFERING PARTS FOR ALL IRON CONSTRUCTION | | | |
| 6 | 00158 | 5 | Pipe Plug 1/8" |
| 7 | 22148-B | 1 | Casing Assy - G5-1-1/4AI |
| | 22149-B | 1 | Casing Assy - G6-1-1/4AI |
| 8 | 09632-C | 1 | Wear Ring |
| | 09680-C-3.25 | 1 | Impeller - 3G5-1-1/4AI |
| | 09680-C-3.63 | 1 | Impeller - 5G5-1-1/4AI |
| | 09680-C-4.00 | 1 | Impeller - 7G5-1-1/4AI |
| | 09680-C-4.25 | 1 | Impeller - 10G5-1-1/4AI |
| | 09680-C-4.75 | 1 | Impeller - 15G5-1-1/4AI |
| | 09680-C-4.97 | 1 | Impeller - 20G5-1-1/4AI |
| 10 | 09680-C-4.25 | 1 | Impeller - 10G6-1-1/4AI |
| | 09680-C-4.75 | 1 | Impeller - 15G6-1-1/4AI |
| | 09680-C-5.13 | 1 | Impeller - 20G6-1-1/4AI |
| | 09680-C-5.66 | 1 | Impeller - 30G6-1-1/4AI |
| Stock pump Catalog Number shown are for 1 phase units. Use same impellers for 3 phase units. | | | |
| 17 | 21181-A | 1 | Washer - SS |
| DIFFERING PARTS FOR G5-1/4SS CONSTRUCTION | | | |
| 3 | 09630-B | 1 | Adapter |
| 5 | 04235-A | 4 | Cap Screw SS |
| 6 | 01691-B | 5 | Pipe Plug - 1/8" SS |
| 7 | 09633-B | 1 | Casing Assy |
| | 09680-B-3.25 | 1 | Impeller - 3G5-1-1/4SS |
| | 09680-B-3.63 | 1 | Impeller - 5G5-1-1/4SS |
| | 09680-B-4.00 | 1 | Impeller - 7G5-1-1/4SS |
| | 09680-B-4.25 | 1 | Impeller - 10G5-1-1/4SS |
| | 09680-B-4.75 | 1 | Impeller - 15G5-1-1/4SS |
| | 09680-B-4.97 | 1 | Impeller - 20G5-1-1/4SS |
| 11 | 23023 | 1 | O-Ring Gasket - Buna N (Std) |
| | 21021 | 1 | O-Ring Gasket - Viton |
| | 23024 | 1 | O-Ring Gasket - EPT** |
| 17 | 21181-A | 1 | Washer - SS |

| SYMBOL NUMBER | PART NUMBER | QTY | DESCRIPTION |
|---|-------------|-----|--------------------------------|
| 2 | 03122 | 4 | Cap Screw |
| 3 | 09630 | 1 | Adapter - G5-1-1/4 |
| | 09630-C | 1 | Adapter w/Flush Tap - G5-1-1/4 |
| | 09657 | 1 | Adapter - G6-1-1/4 |
| | 09657-2 | 1 | Adapter w/Flush Tap - G6-1-1/4 |
| 5 | 04235 | 4 | Cap Screw, 3/8" x 1 1/4" Lg |
| 6 | 01691-A | 5 | Pipe Plug, 1/8" Brass |
| * 7 | 22148 | 1 | Casing Assy - G5-1-1/4 |
| | 22149 | 1 | Casing Assy - G6-1-1/4 |
| 8 | 09632-D | 1 | Wear Ring |
| | 09680-3.25 | 1 | Impeller - 3G5-1-1/4 |
| | 09680-3.63 | 1 | Impeller - 5G5-1-1/4 |
| | 09680-4.00 | 1 | Impeller - 7G5-1-1/4 |
| | 09680-4.25 | 1 | Impeller - 10G5-1-1/4 |
| | 09680-4.75 | 1 | Impeller - 15G5-1-1/4 |
| | 09680-4.97 | 1 | Impeller - 20G5-1-1/4 |
| 10 | 09680-4.25 | 1 | Impeller - 10G6-1-1/4 |
| | 09680-4.75 | 1 | Impeller - 15G6-1-1/4 |
| | 09680-5.13 | 1 | Impeller - 20G6-1-1/4 |
| | 09680-5.66 | 1 | Impeller - 30G6-1-1/4 |
| Stock pump Catalog Number shown are for 1 phase units. Use same impellers for 3 phase units. | | | |
| | 09634 | 1 | Flat Gasket - G5-1-1/4 |
| | 08507 | 1 | Flat Gasket - G6-1-1/4 |
| G5-1/4 Series | | | |
| | 21333 | 1 | O-Ring Gasket - Buna N (Std) |
| | 21546 | 1 | O-Ring Gasket - Viton |
| | 22132 | 1 | O-Ring Gasket - EPT** |
| | 22058 | 1 | O-Ring Gasket - Teflon |
| +11 | | | |
| G6-1/4 Series | | | |
| | 22021 | 1 | O-Ring Gasket - Buna N (Std) |
| | 22020 | 1 | O-Ring Gasket - Viton |
| | 22133 | 1 | O-Ring Gasket - EPT** |
| | 22102 | 1 | O-Ring Gasket - Teflon |
| 12 | 08827 | 1 | Base |
| 13 | 08514 | 1 | Mechanical Seal - Buna N (Std) |
| | 09762 | 1 | Mechanical Seal - Viton |
| | 20764-C | 1 | Mechanical Seal - EPT** |
| 14 | 08105 | 1 | Slinger Washer |
| 15 | 01928 | 2 | Cap Screw & 03503 Washer |
| 16 | 21182 | 1 | Screw |
| 17 | 21181-C | 1 | Washer - Bronze |

(*) Includes Symbol 6 & 8
 (**) For hot water or Caustic service.
 (+) G5-1/4 and G6-1/4 Series pumps have been manufactured with either a flat or O-ring type gasket. Determine which type is required before ordering. When in doubt, order flat gasket.

WARNING:

CANCER AND REPRODUCTIVE HARM -
 WWW.P65WARNINGS.CA.GOV

