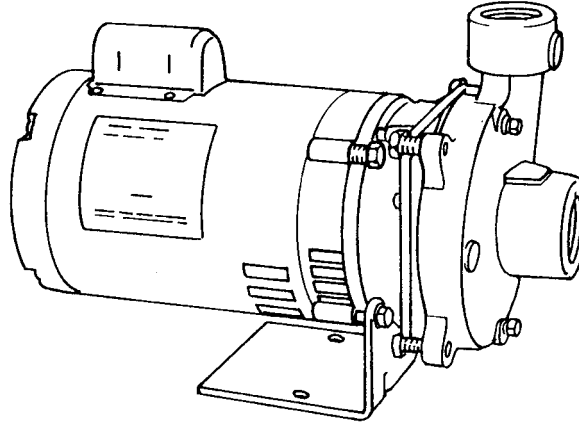




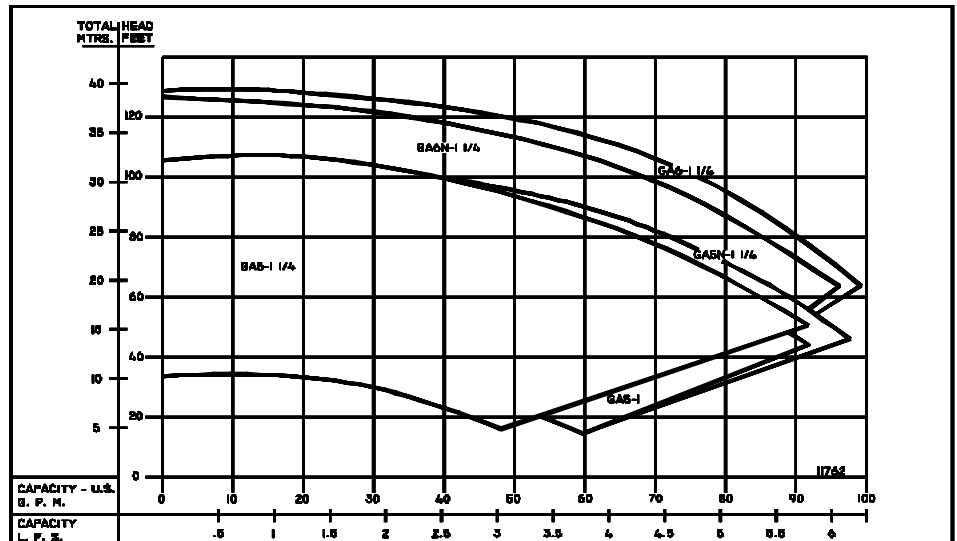
**SERIES: GA5-1
GA5-1-1/4, GA5N-1-1/4
GA6-1-1/4, GA6N-1-1/4**

| | |
|----------|-------|
| SECTION | 2A |
| PAGE | 13 |
| ISSUED | 2/03 |
| REPLACES | 12/01 |

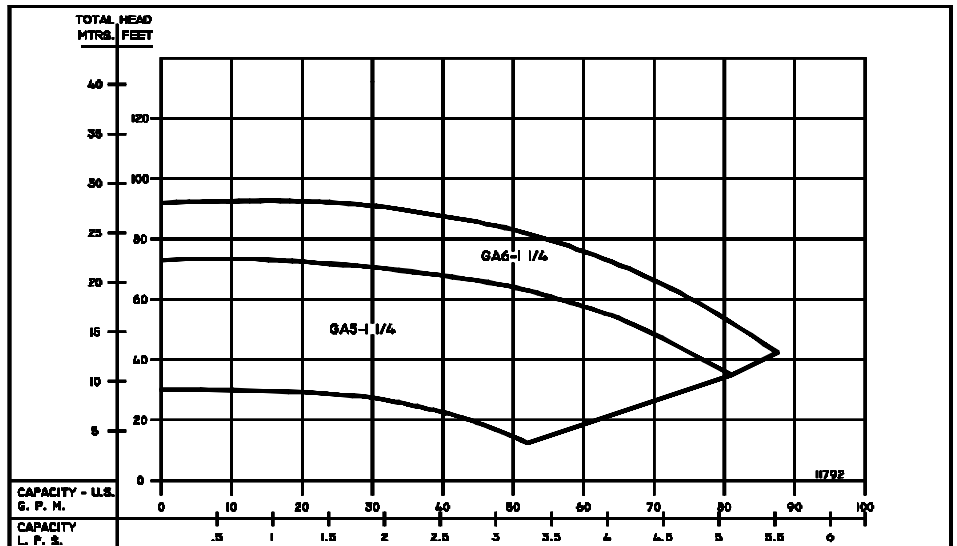
CLOSED COUPLED CENTRIFUGAL PUMPS



3500RPM - 60Hz.
CAPACITIES TO 100GPM (6.3LPS)
HEADS TO 130 FEET (39.6M)



2900RPM - 50Hz.
CAPACITIES TO 83GPM (5.2LPS)
HEADS TO 89 FEET (27M)



Individual performance curves should be checked for final selection.

| | |
|----------|-------|
| SECTION | 2A |
| PAGE | 14 |
| ISSUED | 2/03 |
| REPLACES | 12/01 |



FEATURES

- FOUR POSITION CASING**

Discharge can be located in any of four positions. Casing is close grain iron of 30,000 psi minimum tensile strength. Back pull-out design eliminates the need to disturb piping should the pump ever require service - the casing stays in the line.

- ENCLOSED BRONZE IMPELLER**

Of the latest hydraulic design for maximum efficiency, impeller is balanced for vibration-free operation and threaded onto stainless steel motor shaft.

- ENCLOSED GLASS FILLED NORYL® IMPELLER***

Of the latest hydraulic design for maximum efficiency, impeller has molded in brass insert threaded onto stainless steel motor shaft. *Noryl® Impeller is not designed for use with hydrocarbons.

- MECHANICAL SHAFT SEAL**

Standard self-adjusting shaft seal for temperatures to 225°F (107°C) and pressures to 150 psi (1034 kpa). Ceramic seat and carbon seal face for long trouble-free service. Special seals are available for higher temperatures and fluids other than water.

- MOTORS**

Standard pump motors are of open drip proof (ODP) construction and are rated with jet pump service factors for continuous duty operation. Motors are 56 frame size with NEMA standard mounting flange, one piece threaded stainless steel shaft and ball/ball bearing construction.

- FACTORY TESTED**

After careful assembly and inspection, **EVERY** pump is factory tested and meets Hydraulic Institute standards.

| MAXIMUM OPERATING CONDITIONS | | |
|---|-------------------------|------------------------|
| TEMPERATURE (For Standard Buna-N Seal) | 225°F (107°C) BRONZE | 175°F (79°C) NORYL® |
| INLET PRESSURE | 100 PSI (690 kpa) | |
| CASING WORKING PRESSURE | 200 PSI (1379 kpa) | |

MOTOR INFORMATION

60 Hz - 3500 RPM - ODP

Single Phase: 1/3 thru 2 Hp. - 115/230 Volt
3 Hp. - 230 Volt only

Three Phase: 1/3 thru 3 Hp. - 208-230/460 Volt
50 Hz - 2900 RPM - ODP

Single Phase: 110/220 Volt

Three Phase: 380 Volt

Voltages may differ from some suppliers. Consult factory.

Overload Protection: All single phase ODP and Totally Enclosed motors have built-in overload protection. All three phase motors and all explosion proof motors must be installed with a magnetic starter which provides full 3-leg protection. Failure to use correct starter and overloads will void motor warranty.

JACKETED SEAL CAVITY

FOR TEMPERATURES TO 500°F (260°C).

Series GA5-1 & GA5-1¹/₄ Pumps are available in a Jacketed Seal Cavity design for pumping hot oil, hot water and heat transfer fluids in common use in high temperature heating or cooling applications. This feature greatly extends seal life in high temperature applications. To order, add suffix "MJ" to pump catalog number for temperatures to 500°F (260°C) See Section on High Temperature Pumps for more information.

MATERIALS OF CONSTRUCTION

| PART | ALL IRON | BRONZE FITTED | ALL BRONZE | NORYL® FITTED |
|------------|-----------------------------------|-----------------------------------|-----------------------------------|-----------------------------------|
| Adapter | Cast Iron | Cast Iron | Bronze | Cast Iron |
| Casing | Cast Iron | Cast Iron | Bronze | Cast Iron |
| Shaft | #303 Stainless | #303 Stainless | #303 Stainless | #303 Stainless |
| Impeller | Cast Iron | Bronze | Bronze | Glass Filled Noryl |
| Shaft Seal | Carbon-Ceramic S. Steel-Buna-N | Carbon-Ceramic S. Steel-Buna-N | Carbon-Ceramic S. Steel-Buna-N | Carbon-Ceramic S. Steel-Buna-N |

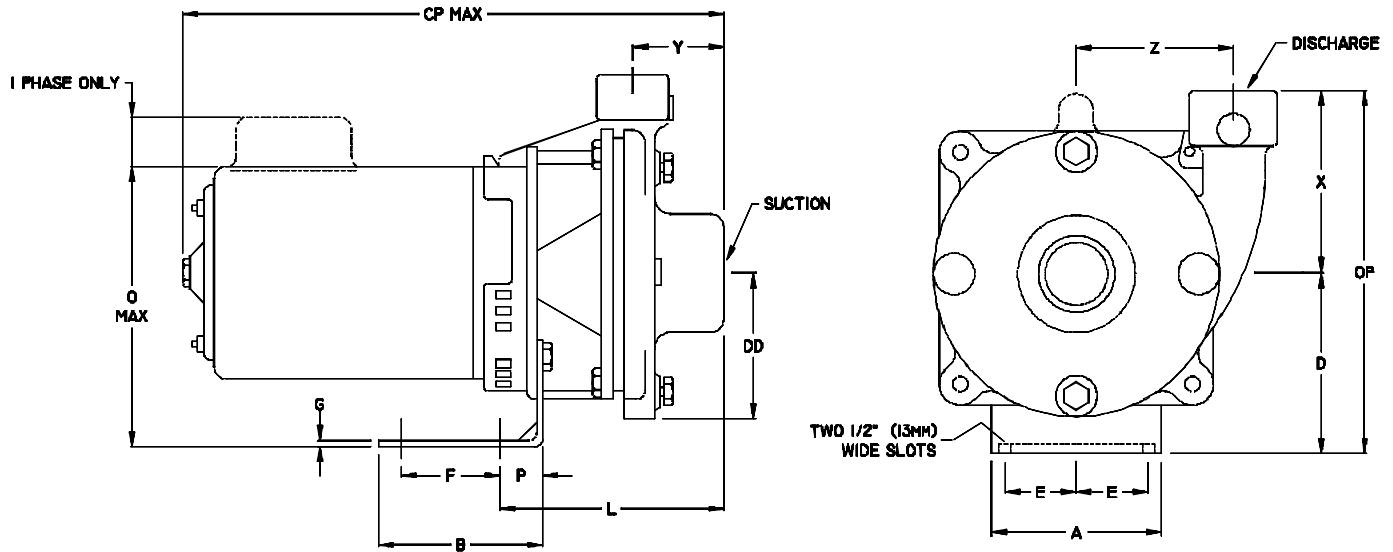


A Crane Co. Company

PUMPS & SYSTEMS

PumpAgents.com - buy pumps and parts online

DIMENSIONS



| DIMENSIONS IN INCHES | | | | | | | | | | | | | | | | | | |
|-----------------------------------|------------------|-------------------------------|-------------------------------|--------------------------------|---|----------------------------------|-------------------------------|-------------------------------|---------------------------------|---|--------------------------------|---------------------------------|--------------------------------|-------------------------------|--------------------------------|---------------------------------|-------------------------------|--------------------------------|
| CATALOG NUMBER | MOTOR FRAME SIZE | DISCH NPT | SUCT. NPT | A | B | CP | D | DD | E | F | G | L | O | OP | P | X | Y | Z |
| GA5-1 | 56 | 1 | 1 ¹ / ₄ | 5 ³ / ₁₆ | 5 | 16 ⁷ / ₈ | 4 ³ / ₄ | 3 ³ / ₈ | 1 ¹⁵ / ₁₆ | 3 | 3 ³ / ₁₆ | 5 ¹⁵ / ₁₆ | 8 ⁹ / ₁₆ | 9 ¹ / ₂ | 1 ⁵ / ₁₆ | 4 ¹¹ / ₁₆ | 2 ⁵ / ₈ | 3 ⁹ / ₁₆ |
| GA5-1 ¹ / ₄ | 56 | 1 ¹ / ₄ | 1 ¹ / ₂ | 5 ³ / ₁₆ | 5 | 15 ¹¹ / ₁₆ | 4 ³ / ₄ | 3 ³ / ₈ | 1 ¹⁵ / ₁₆ | 3 | 3 ³ / ₁₆ | 5 ¹⁵ / ₁₆ | 8 ⁹ / ₁₆ | 9 ¹ / ₂ | 1 ⁵ / ₁₆ | 4 ¹¹ / ₁₆ | 2 ⁵ / ₈ | 3 ³ / ₈ |
| GA6-1 ¹ / ₄ | 56 | 1 ¹ / ₄ | 1 ¹ / ₂ | 5 ³ / ₁₆ | 5 | 15 ¹⁵ / ₁₆ | 4 ³ / ₄ | 3 ³ / ₄ | 1 ¹⁵ / ₁₆ | 3 | 3 ³ / ₁₆ | 5 ¹³ / ₁₆ | 8 ⁹ / ₁₆ | 9 ¹ / ₂ | 1 ⁵ / ₁₆ | 4 ¹¹ / ₁₆ | 2 ⁵ / ₈ | 3 ³ / ₄ |

| DIMENSIONS IN MILLIMETERS | | | | | | | | | | | | | | | | | | |
|-----------------------------------|------------------|-------------------------------|-------------------------------|-----|-----|-----|-----|----|----|----|-----|-----|-----|-----|----|-----|----|----|
| CATALOG NUMBER | MOTOR FRAME SIZE | DISCH NPT | SUCT. NPT | A | B | CP | D | DD | E | F | G | L | O | OP | P | X | Y | Z |
| GA5-1 | 56 | 1 | 1 ¹ / ₄ | 132 | 127 | 429 | 121 | 86 | 49 | 76 | 4.7 | 151 | 217 | 241 | 33 | 119 | 67 | 90 |
| GA5-1 ¹ / ₄ | 56 | 1 ¹ / ₄ | 1 ¹ / ₂ | 132 | 127 | 398 | 121 | 86 | 49 | 76 | 4.7 | 151 | 217 | 241 | 33 | 119 | 67 | 86 |
| GA6-1 ¹ / ₄ | 56 | 1 ¹ / ₄ | 1 ¹ / ₂ | 132 | 127 | 398 | 121 | 95 | 49 | 76 | 4.7 | 148 | 217 | 241 | 33 | 119 | 67 | 95 |

DIMENSIONS SHOWN ABOVE ARE APPROXIMATE MAXIMUM DIMENSIONS FOR STANDARD PUMPS EQUIPPED WITH ODP MOTORS.
Noryl option specifications same as above.
©Noryl is a registered trademark of General Electric.

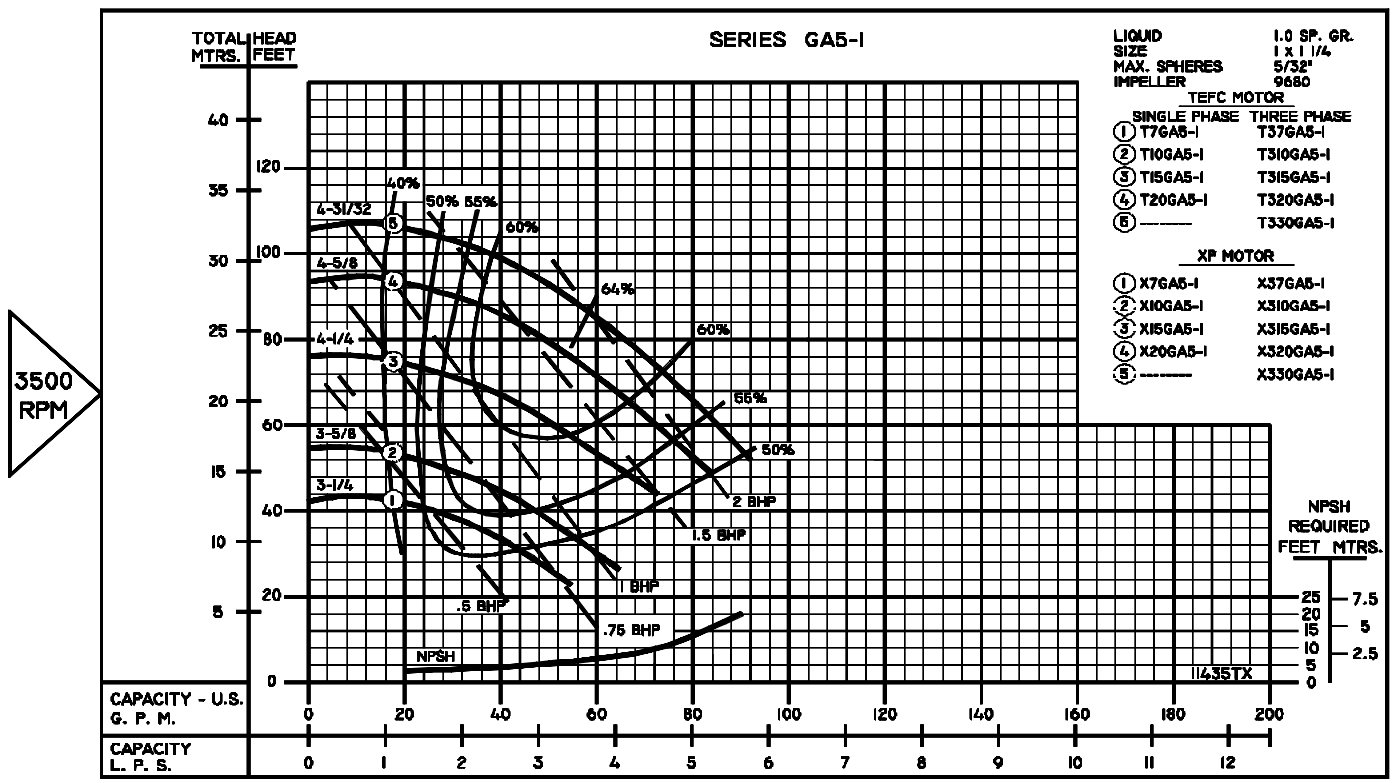
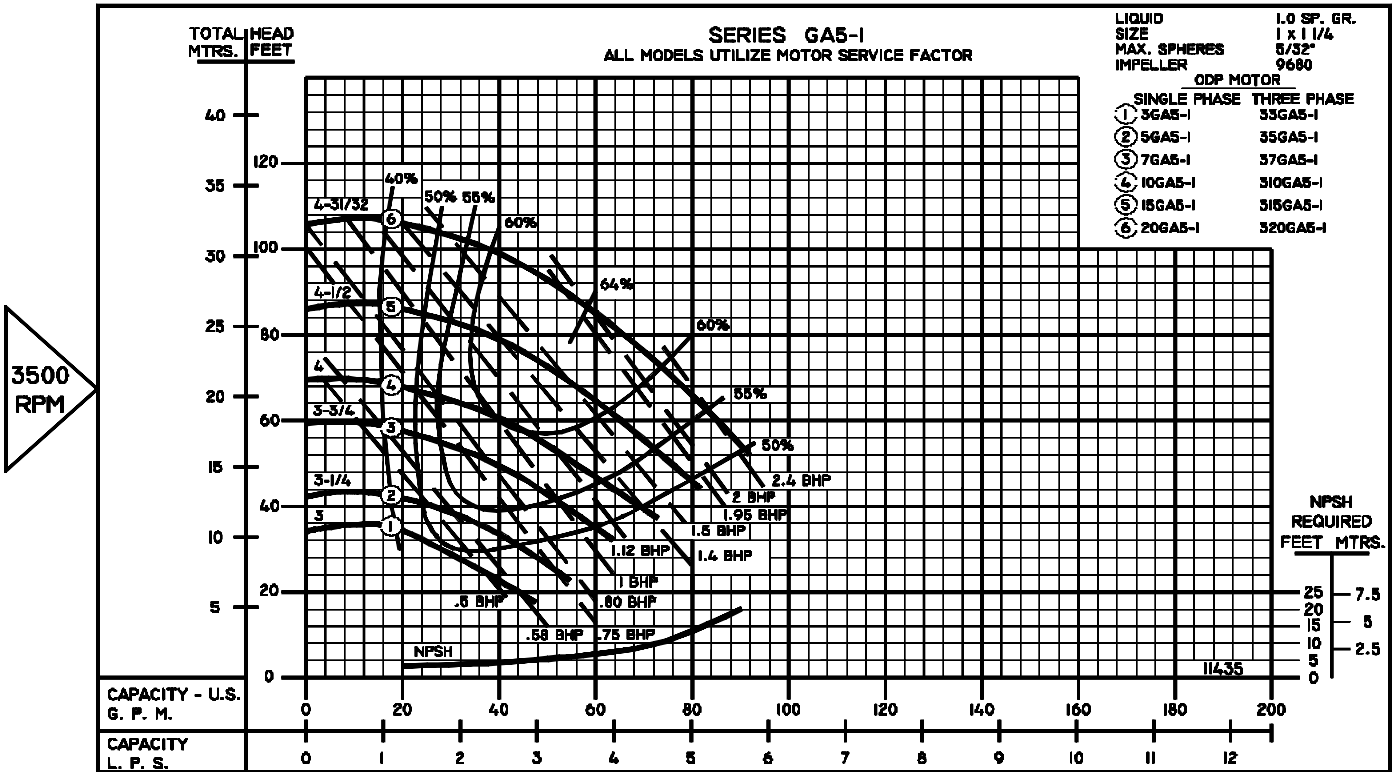
| | |
|----------|-------|
| SECTION | 2A |
| PAGE | 16 |
| ISSUED | 2/03 |
| REPLACES | 12/01 |

60HZ PERFORMANCE CURVE



420 Third Street
Piqua, Ohio 45356-0603
Phone: (937) 778-8947 Fax: (937) 773-7157

END SUCTION CENTRIFUGAL PUMPS

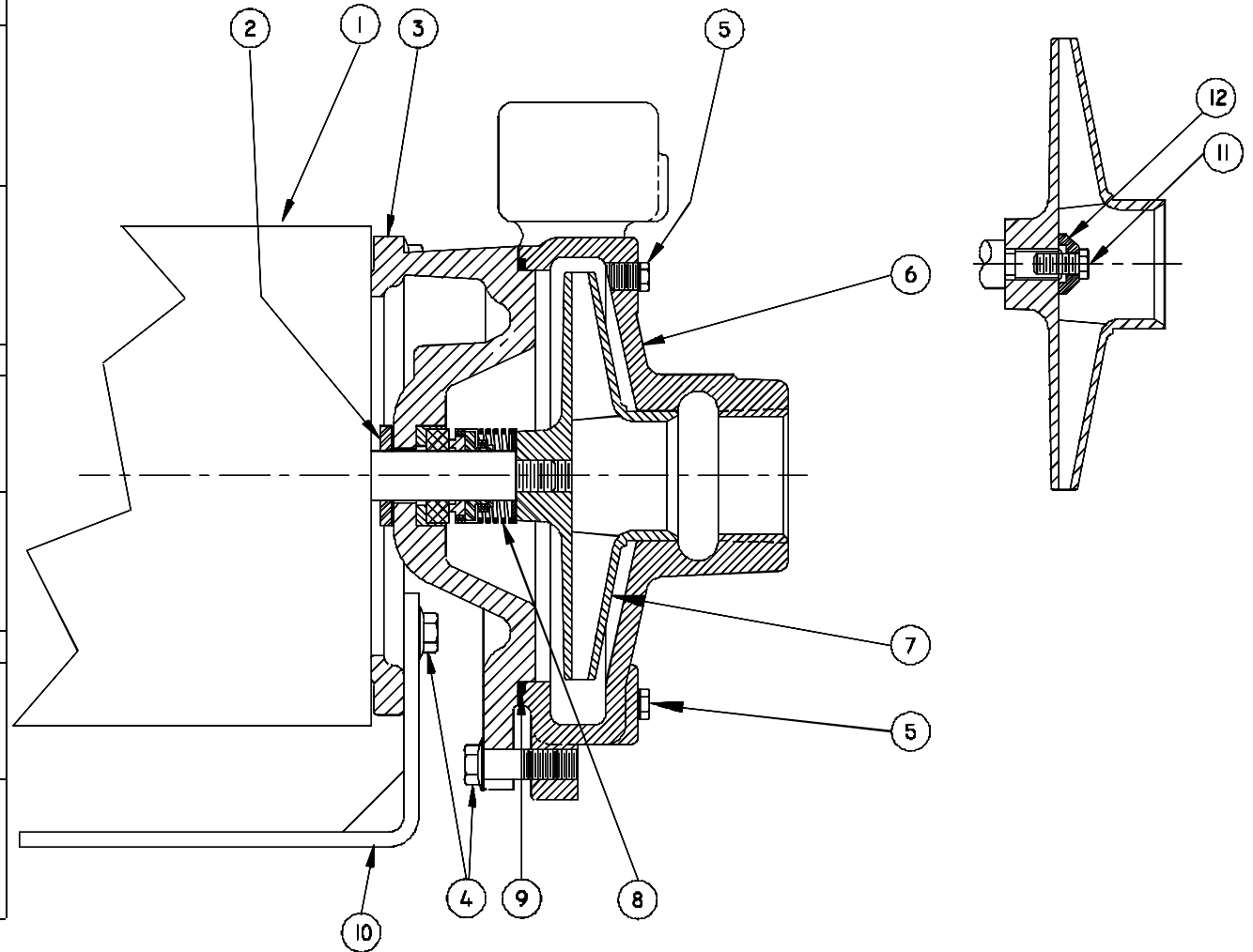


PUMPS & SYSTEMS

A Crane Co. Company

CCCP-4

| 1 - MOTORS (All 56J Frame) | | | |
|--|---|-------|-----|
| RPM & PHASE | PART NUMBER | HP | |
| OPEN DRIP PROOF | | | |
| 3500 RPM Single Phase (ODP) | 09581 | 1/3 | |
| | 09582 | 1/2 | |
| | 09625 | 3/4 | |
| | 09650 | 1 | |
| | 09675 | 1-1/2 | |
| | 09677 | 2 | |
| 3500 RPM Three Phase (ODP) | 09737 | 3 | |
| | 09661 | 1/3 | |
| | 09662 | 1/2 | |
| | 09652 | 3/4 | |
| | 09653 | 1 | |
| | 09676 | 1-1/2 | |
| 3500 RPM Three Phase (ODP) | 09678 | 2 | |
| | 09738 | 3 | |
| | TOTALLY ENCLOSED | | |
| | 3500 RPM Single Phase (TENV / TEFC) | 09688 | 1/2 |
| | | 09690 | 3/4 |
| | | 09692 | 1 |
| 09774 | | 1-1/2 | |
| 09827 | | 2 | |
| 3500 RPM Three Phase (TENV / TEFC) | 09689 | 1/2 | |
| | 09691 | 3/4 | |
| | 09693 | 1 | |
| | 09758 | 1-1/2 | |
| | 09829 | 2 | |
| | 21697 | 3 | |
| EXPLOSION PROOF | | | |
| 3500 RPM Single Phase (XP) | 20655 | 1/2 | |
| | 20513 | 3/4 | |
| | 20515 | 1 | |
| | 20517 | 1-1/2 | |
| | 20519 | 2 | |
| 3500 RPM Three Phase (XP) | 20656 | 1/2 | |
| | 20514 | 3/4 | |
| | 20516 | 1 | |
| | 20518 | 1-1/2 | |
| | 20520 | 2 | |
| | 9909 | 3 | |



SERIES: GA5-1 CENTRIFUGAL PUMPS

File: GA5-100.dwg

| SYMBOL NUMBER | PART NUMBER | QUANTITY | DESCRIPTION |
|---------------|-------------|----------|--|
| 2 | 08105 | 1 | Slinger Washer |
| 3 | 22752 | 1 | Adapter |
| 4 | 21236 | 8 | Capscrew 3/8-16 UNC x 1" |
| 5 | 00158 | 2 | Plug 1/8-27 NPT |
| 6 | 23279 | 1 | Casing |
| 7 | 09680-3.00 | 1 | Impeller, 3 & 33GA5-1 |
| | 09680-3.25 | 1 | Impeller, 5 & 35GA5-1 |
| | 09680-3.75 | 1 | Impeller, 7 & 37GA5-1 |
| | 09680-4.00 | 1 | Impeller, 10 & 310GA5-1 |
| | 09680-4.25 | 1 | Impeller, 15 & 315GA5-1 |
| | 09680-4.97 | 1 | Impeller, 20 & 320GA5-1 |
| 8 | 08514 | 1 | Mechanical Seal - Buna N |
| | 09762 | | Mechanical Seal - Viton |
| | 20764-C | | Mechanical Seal - EPDM** |
| 9 | 21333 | 1 | O-Ring - Buna N |
| | 21546 | | O-Ring - Viton |
| | 22058 | | O-Ring - Teflon |
| | 22132 | | O-Ring - EPDM ** |
| 10 | 22751 | 1 | Bracket |
| 11 | 21182 | 1 | Machine Screw 1/4-28 UNFX x 1/2" (3 Ph Only) |
| 12 | 21181-C | 1 | Washer (3 Ph Only) |

| SYMBOL NUMBER | PART NUMBER | QUANTITY | DESCRIPTION |
|--|--------------|----------|--------------------|
| DIFFERING PARTS FOR ALL BRONZE CONSTRUCTION | | | |
| 3 | 22752-A | 1 | Adapter |
| 5 | 01691-A | 2 | Plug, 1/8" |
| 6 | 23279-A | 1 | Casing |
| DIFFERING PARTS FOR ALL IRON CONSTRUCTION | | | |
| 5 | 00158 | 2 | Plug 1/8-27 NPT |
| *7 | 09680-C Dia. | 1 | Impeller |
| 12 | 21181-A | 1 | Washer (3 Ph only) |

* Size suffixes same as standard bronze impellers.

For technical advice or service please take your pump into your local pump service center.
To order pump or parts or for pricing please go to the following links :

[Burks Pumps Home >>](#)

[Burks Pumps stock list >>](#)