

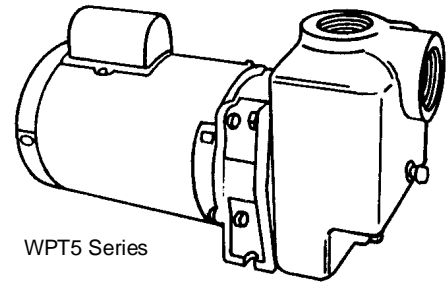


# SERIES: WPT

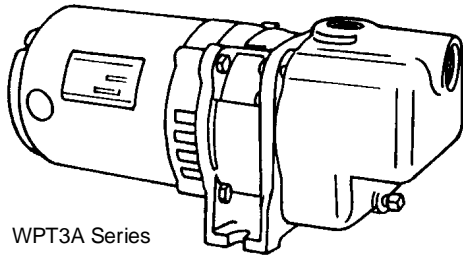
|          |       |
|----------|-------|
| SECTION  | 4C    |
| PAGE     | 5     |
| ISSUED   | 2/03  |
| REPLACES | 12/01 |

## SELF-PRIMING CENTRIFUGAL PUMPS

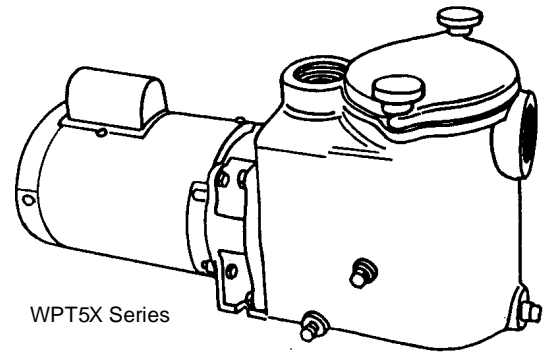
For Perchloroethylene  
and  
Other 1.62 S.G. Fluids



WPT5 Series



WPT3A Series



WPT5X Series

| 60 HZ - PERFORMANCE AND SELECTION 1.62 FLUID S.G. - 3500 RPM |                             |       |          |        |                            |     |     |     |     |     |     |     |     |     |     |     |     |
|--|-----------------------------|-------|----------|--------|----------------------------|-----|-----|-----|-----|-----|-----|-----|-----|-----|-----|-----|-----|
| **Catalog number   | **Catalog No. with strainer | HP    | TAPPINGS |        | GPM CAPACITY AT HEAD SHOWN |     |     |     |     |     |     |     |     |     |     |     |     |
|  |                             |       | SUCT.    | DISCH. | PSI FEET                   | 10  | 15  | 20  | 25  | 30  | 35  | 40  | 45  | 50  | 55  | 60  | 65  |
| *A3WPT3A   | Not Available               | 1/2   | 1"       | 1"     |                            | 41  | 37  | 29  | 15  | --- | --- | --- | --- | --- | --- | --- | --- |
| *3WPT3A  | Not Available               | 1/3   | 1"       | 1"     |                            | 41  | 37  | 29  | 15  | --- | --- | --- | --- | --- | --- | --- | --- |
| 5WPT5  | 5WPT5X                      | 1/2   | 2"       | 2"     |                            | 38  | 36  | 32  | 26  | 19  | 10  | --- | --- | --- | --- | --- | --- |
| 7WPT5  | 7WPT5X                      | 3/4   | 2"       | 2"     |                            | 50  | 47  | 43  | 38  | 32  | 26  | 18  | 10  | --- | --- | --- | --- |
| 10WPT5   | 10WPT5X                     | 1     | 2"       | 2"     |                            | 62  | 58  | 55  | 50  | 43  | 36  | 28  | 20  | 10  | --- | --- | --- |
| 15WPT5   | 15WPT5X                     | 1-1/2 | 2"       | 2"     |                            | 73  | 71  | 68  | 64  | 58  | 53  | 44  | 34  | 23  | --- | --- | --- |
| 20WPT5   | 20WPT5X                     | 2     | 2"       | 2"     |                            | 82  | 80  | 78  | 74  | 70  | 66  | 57  | 48  | 37  | 12  | 9   | --- |
| 30WPT5   | 30WPT5X                     | 3     | 2"       | 2"     |                            | 94  | 92  | 90  | 90  | 87  | 84  | 80  | 74  | 66  | 24  | 40  | 20  |
| 30WPT5A  | 30WPT5AX                    | 3     | 2"       | 2"     |                            | 144 | 140 | 136 | 127 | 115 | 100 | 80  | 44  | --- | 55  | --- | --- |

| **Catalog number | **Catalog No. with strainer | HP    | TAPPINGS |        | L.P.S. CAPACITY AT HEAD SHOWN |     |     |     |     |     |     |     |     |     |     |     |     |
|------------------|-----------------------------|-------|----------|--------|-------------------------------|-----|-----|-----|-----|-----|-----|-----|-----|-----|-----|-----|-----|
|                  |                             |       | SUCT.    | DISCH. | KPA METERS                    | 69  | 103 | 137 | 172 | 206 | 241 | 275 | 310 | 344 | 379 | 413 | 448 |
| *A3WPT3A         | Not Available               | 1/2   | 1"       | 1"     |                               | 2.5 | 2.3 | 1.8 | 0.9 | --- | --- | --- | --- | --- | --- | --- | --- |
| *3WPT3A          | Not Available               | 1/3   | 1"       | 1"     |                               | 2.5 | 2.3 | 1.8 | 0.9 | --- | --- | --- | --- | --- | --- | --- | --- |
| 5WPT5            | 5WPT5X                      | 1/2   | 2"       | 2"     |                               | 2.3 | 2.2 | 2.0 | 1.6 | 1.1 | 0.6 | --- | --- | --- | --- | --- | --- |
| 7WPT5            | 7WPT5X                      | 3/4   | 2"       | 2"     |                               | 3.1 | 2.9 | 2.7 | 2.3 | 2.0 | 1.6 | 1.1 | 0.6 | --- | --- | --- | --- |
| 10WPT5           | 10WPT5X                     | 1     | 2"       | 2"     |                               | 3.9 | 3.6 | 3.4 | 3.1 | 2.7 | 2.2 | 1.7 | 1.2 | 0.6 | --- | --- | --- |
| 15WPT5           | 15WPT5X                     | 1-1/2 | 2"       | 2"     |                               | 4.6 | 4.4 | 4.2 | 4.0 | 3.6 | 3.3 | 2.7 | 2.1 | 1.4 | --- | --- | --- |
| 20WPT5           | 20WPT5X                     | 2     | 2"       | 2"     |                               | 5.1 | 5.0 | 4.9 | 4.6 | 4.4 | 4.1 | 3.5 | 3.0 | 2.3 | 0.7 | 0.5 | --- |
| 30WPT5           | 30WPT5X                     | 3     | 2"       | 2"     |                               | 5.9 | 5.8 | 5.6 | 5.6 | 5.4 | 5.2 | 5.0 | 4.6 | 4.1 | 1.5 | 2.5 | 1.2 |
| 30WPT5A          | 30WPT5AX                    | 3     | 2"       | 2"     |                               | 9.0 | 8.8 | 8.5 | 8.0 | 7.2 | 6.3 | 5.0 | 2.7 | --- | 3.4 | --- | --- |

\*\* Catalog numbers are for units with single phase motors. For three phase, add prefix, "3". Example 35WPT5X.

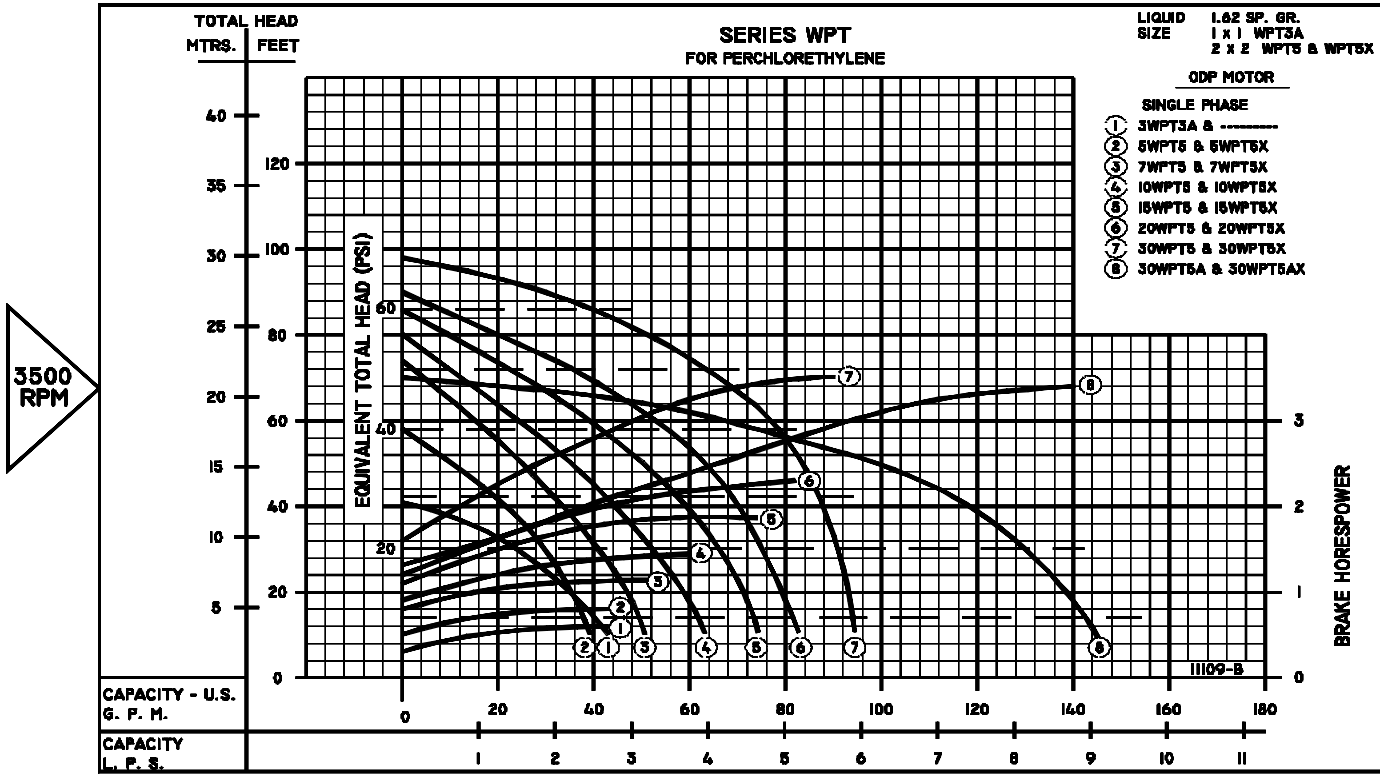
\* Maximum suction lift on WPT3A - 7 ft.



|          |       |
|----------|-------|
| SECTION  | 4C    |
| PAGE     | 6     |
| ISSUED   | 2/03  |
| REPLACES | 12/01 |



## END SUCTION CENTRIFUGAL PUMPS



### FEATURES

- Compact, Close-Coupled Design
- Rugged Bronze-Fitted Cast Iron Construction
- Leakproof Mechanical Shaft Seal
- Non-Clogging, Bronze Semi-Open Impeller
- Stainless Steel Shaft
- Back Pull-Out Design For Easy Servicing
- Available With or Without Built-In Basket Type Strainer
- Self-Priming, Once Case is Filled With Fluid
- Diaphragms, Flappers or Check Valves Are Not Required In Pump Suction Piping. But Are Recommended
- **EVERY** pump is factory tested and will meet Hydraulic Institute standards.

#### MOTOR INFORMATION

WPT3A Series have NEMA Jet Pump Motors. WPT5 & WPT5X Series have rugged Swimming Pool type motors with oversize ball/ball bearing construction.

All motors have open-drip proof construction and are rated with standard NEMA Jet Pump service factors for continuous duty operation at all ratings shown.

Voltages may differ from some suppliers. Consult factory.

**Overload Protection:** All single phase motors have built-in thermal overload protection. All three phase motors must be installed with a magnetic starter which provides full 3-leg protection. Failure to use correct starter and overloads will void motor warranty.

**All Single Phase Open Drip Proof Motors Are U.L. Recognized.**

#### RATINGS

A3WPT3A-1/3 HP, Single Phase, 115V, 60Hz, 3500RPM, ODP, Split Phase.  
 3WPT3A-1/3 HP, Single Phase, 115/230V, 60Hz, 3500RPM, ODP, Capacitor Start.  
 33WPT3A-1/3 HP, Three Phase, 230/460V, 60Hz, 3500RPM, ODP

WPT5 & WPT5X Series:

Single Phase: 1/2 thru 2HP, 115/230V, 60HZ, 3500RPM, ODP, Capacitor Start.

3 HP is 230V only.

Three Phase: 1/2 thru 3HP, 230/460V, 60HZ, 3500RPM, ODP.

#### MATERIALS OF CONSTRUCTION

| PART            | ALL BRONZE                     |
|-----------------|--------------------------------|
| Adapter         | Cast Iron                      |
| Case            | Cast Iron                      |
| Impeller        | Bronze                         |
| Diffuser        | Cast Iron                      |
| Shaft           | Stainless Steel                |
| Shaft Seal      | Carbon-Ceramic-S. Steel-Buna-N |
| Suction Sleeve  | Viton                          |
| Strainer Gasket | Viton                          |
| Strainer Basket | Stainless Steel                |
| All Plugs       | Brass                          |

#### MAXIMUM OPERATING CONDITIONS

|  |                   |
|--|-------------------|
| TEMPERATURE (For Standard Buna-N Seal) | 225°F (107°C)     |
| INLET PRESSURE (WPT3 & WPT5)           | 100 PSI (690kpa)  |
| INLET PRESSURE (WPT5X)                 | 15 PSI (103kpa)   |
| CASING WORKING PRESSURE (WPT3 & WPT5)  | 165 PSI (1137kpa) |
| CASING WORKING PRESSURE (WPT5X)        | 60 PSI (413kpa)   |



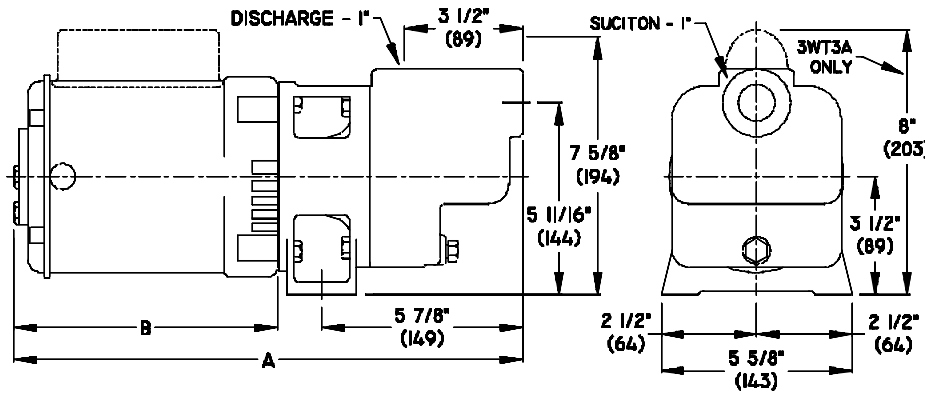
PUMPS & SYSTEMS



## DIMENSIONS

|          |       |
|----------|-------|
| SECTION  | 4C    |
| PAGE     | 7     |
| ISSUED   | 2/03  |
| REPLACES | 12/01 |

### SERIES WPT3A

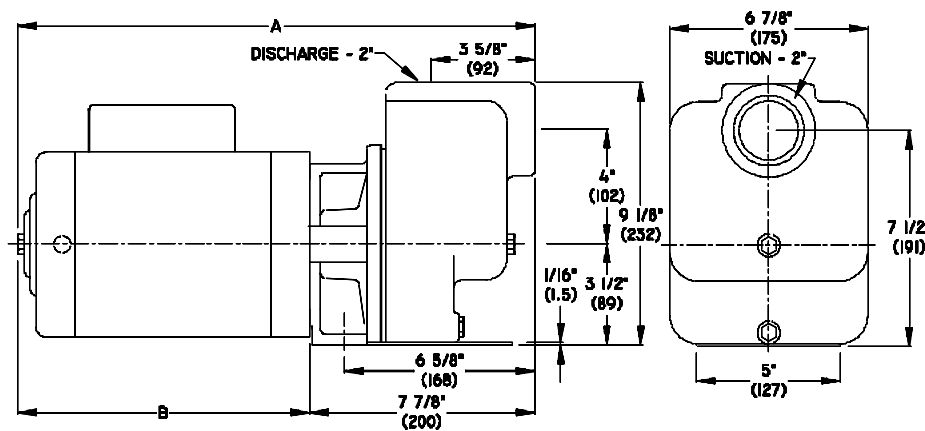


| CATALOG NUMBER | DIMENSIONS IN INCHES |       |             |       |
|----------------|----------------------|-------|-------------|-------|
|                | SINGLE PHASE         |       | THREE PHASE |       |
|                | A                    | B     | A           | B     |
| A3WPT3A        | 15                   | 7 7/8 | ---         | ---   |
| 3WPT3A         | 15 1/2               | 8 7/8 | ---         | ---   |
| 33WPT3A        | ---                  | ---   | 15 1/2      | 8 7/8 |

| CATALOG NUMBER | DIMENSIONS IN MILLIMETERS |     |             |     |
|----------------|---------------------------|-----|-------------|-----|
|                | SINGLE PHASE              |     | THREE PHASE |     |
|                | A                         | B   | A           | B   |
| A3WPT3A        | 381                       | 200 | ---         | --- |
| 3WPT3A         | 393                       | 212 | ---         | --- |
| 33WPT3A        | ---                       | --- | 393         | 212 |

All models have 1" NPT suction and discharge.

### SERIES WPT5

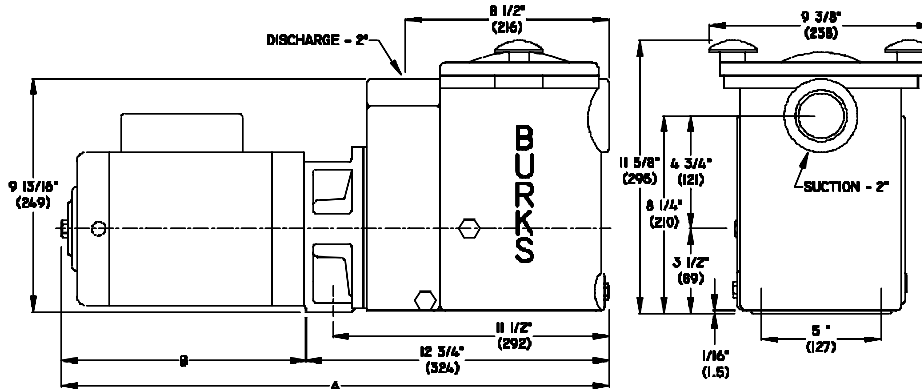


| CATALOG NUMBER | DIMENSIONS IN INCHES |        |             |        |
|----------------|----------------------|--------|-------------|--------|
|                | SINGLE PHASE         |        | THREE PHASE |        |
|                | A                    | B      | A           | B      |
| 5WPT5          | 15 7/8               | 8      | 15 5/8      | 7 3/4  |
| 7WPT5          | 16 7/8               | 9      | 16 7/8      | 9      |
| 10WPT5         | 17 1/4               | 9 3/8  | 16 7/8      | 9      |
| 15WPT5         | 18                   | 10 1/8 | 16 7/8      | 9      |
| 20WPT5         | 18                   | 10 1/8 | 17 1/4      | 9 3/8  |
| 30WPT5         | 18 1/2               | 10 7/8 | 18          | 10 1/8 |
| 30WPT5A        | 18 1/2               | 10 7/8 | 18          | 10 1/8 |

| CATALOG NUMBER | DIMENSIONS IN MILLIMETERS |     |             |     |
|----------------|---------------------------|-----|-------------|-----|
|                | SINGLE PHASE              |     | THREE PHASE |     |
|                | A                         | B   | A           | B   |
| 5WPT5          | 403                       | 203 | 396         | 196 |
| 7WPT5          | 428                       | 228 | 428         | 228 |
| 10WPT5         | 438                       | 238 | 428         | 228 |
| 15WPT5         | 457                       | 257 | 428         | 228 |
| 20WPT5         | 457                       | 257 | 438         | 238 |
| 30WPT5         | 469                       | 269 | 457         | 257 |
| 30WPT5A        | 469                       | 269 | 457         | 257 |

All models have 2" NPT suction and discharge.

### SERIES WPT5X



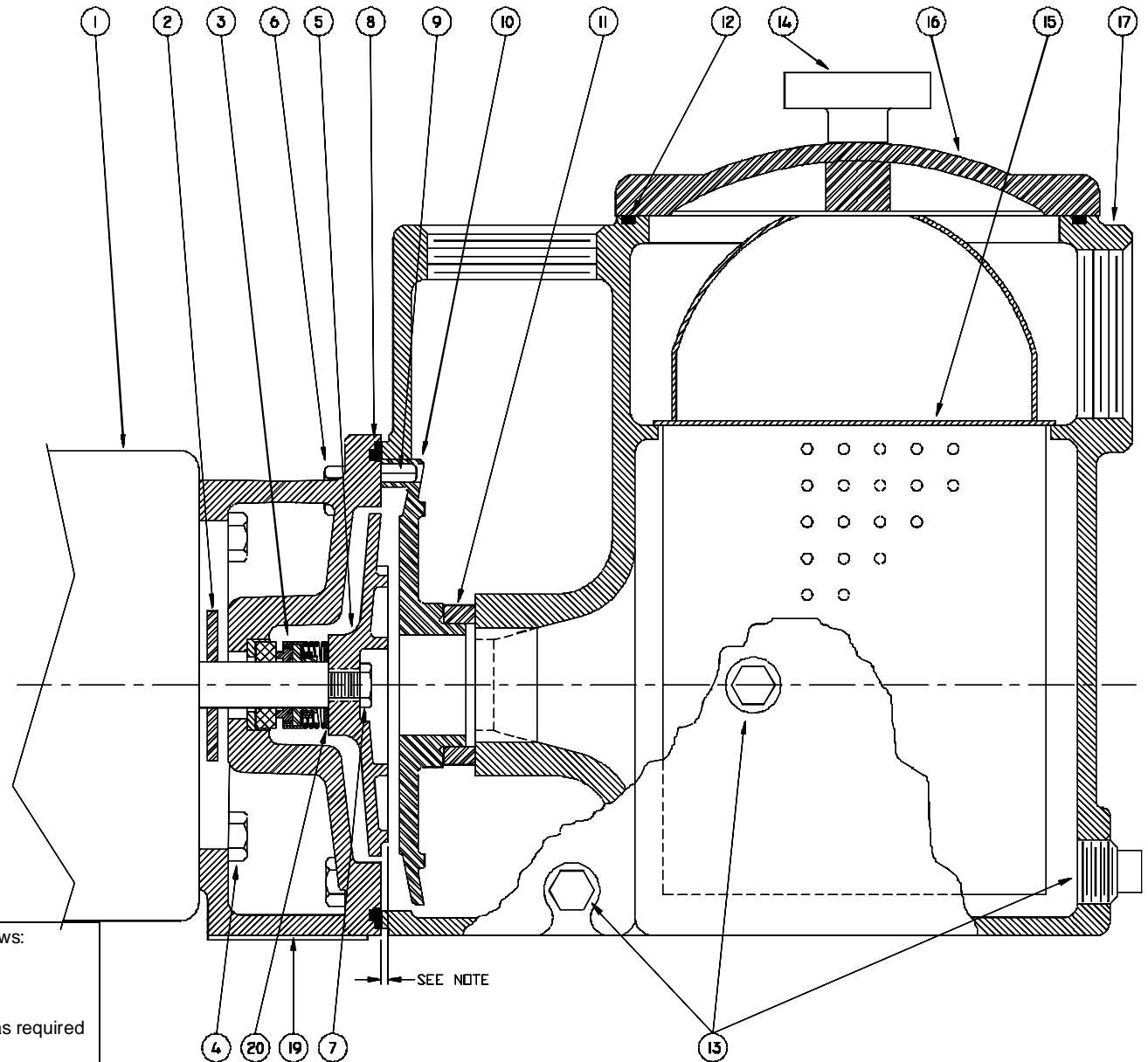
| CATALOG NUMBER | DIMENSIONS IN INCHES |        |             |        |
|----------------|----------------------|--------|-------------|--------|
|                | SINGLE PHASE         |        | THREE PHASE |        |
|                | A                    | B      | A           | B      |
| 5WPT5X         | 20 3/4               | 8      | 20 1/2      | 7 3/4  |
| 7WPT5X         | 21 3/4               | 9      | 21 3/4      | 9      |
| 10WPT5X        | 22 1/8               | 9 3/8  | 21 3/4      | 9      |
| 15WPT5X        | 22 7/8               | 10 1/8 | 21 3/4      | 9      |
| 20WPT5X        | 22 7/8               | 10 1/8 | 22 7/8      | 9 3/8  |
| 30WPT5X        | 23 3/8               | 10 5/8 | 22 7/8      | 10 1/8 |
| 30WPT5AX       | 23 3/8               | 10 5/8 | 22 7/8      | 10 1/8 |

| CATALOG NUMBER | DIMENSIONS IN MILLIMETERS |     |             |     |
|----------------|---------------------------|-----|-------------|-----|
|                | SINGLE PHASE              |     | THREE PHASE |     |
|                | A                         | B   | A           | B   |
| 5WPT5X         | 527                       | 203 | 520         | 196 |
| 7WPT5X         | 552                       | 228 | 552         | 228 |
| 10WPT5X        | 561                       | 238 | 552         | 228 |
| 15WPT5X        | 581                       | 257 | 552         | 228 |
| 20WPT5X        | 581                       | 257 | 561         | 238 |
| 30WPT5X        | 593                       | 269 | 581         | 257 |
| 30WPT5AX       | 593                       | 269 | 581         | 257 |

All models have 2" NPT suction and discharge.

CSP-P-66

| 1 - MOTORS   |             |       |
|--|-------------|-------|
| RPM & PHASE  | PART NUMBER | HP    |
| <b>FOR WT5X &amp; WPT5X (Std) SERIES - OPEN DRIP PROOF</b> |             |       |
| 3500 RPM<br>Single Phase<br>(ODP)                          | 20633       | 1/2   |
|  | 20501       | 3/4   |
|  | 20502       | 1     |
|  | 20503       | 1-1/2 |
|  | 20504       | 2     |
| 3500 RPM<br>Three Phase<br>(ODP)                           | 20634       | 1/2   |
|  | 20506       | 3/4   |
|  | 20507       | 1     |
|  | 20508       | 1-1/2 |
|  | 20509       | 2     |
| <b>FOR WST5X (Std) SERIES - EXPLOSION PROOF</b>            | 20655       | 1/2   |
|  | 20513       | 3/4   |
|  | 20515       | 1     |
|  | 20517       | 1-1/2 |
|  | 20519       | 2     |
| 3500 RPM<br>Three Phase<br>(XP)                            | 20656       | 1/2   |
|  | 20514       | 3/4   |
|  | 20516       | 1     |
|  | 20518       | 1-1/2 |
|  | 20520       | 2     |



**NOTE:** Impeller must extend from face of frame as follows:  
 Pumps with 20405 Diffuser - 33/64"  
 20405-1 Diffuser - 9/32"  
 20406 Diffuser - 15/64"  
 Shim washers (Symbol 20) may be added or removed as required to obtain dimensions.

**SERIES: WT5X, WPT5X, WST5X SELF-PRIMING CENTRIFUGAL PUMPS**

File: WT5X.dwg

| SYMBOL NUMBER                           | PART NUMBER                              | QUANTITY | DESCRIPTION                                  |  |
|---|--|----------|--|--|
| 2                                       | 08105                                    | 1        | Slinger Washer                               |  |
| 3                                       | 08514                                    | 1        | Mechanical Seal -Buna N - WT5X & WST5X (Std) |  |
|   | 09762                                    | 1        | Mechanical Seal -Viton - WPT5X (Std)         |  |
|   | 20764-C                                  | 1        | Mechanical Seal- EPT +                       |  |
| 4                                       | 01928                                    | 4        | Cap Screw 3/8 x 1" Lg                        |  |
| <b>FOR SERIES WT5X, 1 &amp; 3 PHASE</b> |  |          |  |  |
| * 5                                     | 20409-A-8                                | 1        | Impeller - 5WT5X                             |  |
|   | 20409-A-2                                |          | Impeller - 7WT5X                             |  |
|   | 20409-A-4                                |          | Impeller - 10WT5X                            |  |
|   | 20409-A-1                                |          | Impeller - 15WT5X                            |  |
|   | 20409-A                                  |          | Impeller - 20WT5X                            |  |
|   | 20408-A                                  |          | Impeller - 20WT5AX                           |  |
|   | <b>FOR SERIES WPT5X, 1 &amp; 3 PHASE</b> |          |  |  |
|   | 20407-A                                  | 1        | Impeller - 5WPT5X                            |  |
|   | 20409-A-6                                |          | Impeller - 7WPT5X                            |  |
|   | 20409-A-5                                |          | Impeller - 10WPT5X                           |  |
|   | 20409-A-2                                |          | Impeller - 15WPT5X                           |  |
|   | 20409-A-4                                |          | Impeller - 20WPT5X                           |  |
|   | 20408-A                                  |          | Impeller - 30WPT5AX                          |  |
|   | <b>FOR SERIES WST5X, 1 &amp; 3 PHASE</b> |          |  |  |
|   | 20409-A-7                                | 1        | Impeller - X5WST5X                           |  |
| 20409-A-5                               | Impeller - X7WST5X                       |          |  |  |
| 20409-A-2                               | Impeller - X10WST5X                      |          |  |  |
| 20409-A-1                               | Impeller - X15WST5X                      |          |  |  |
| 20409-A                                 | Impeller - X20WST5X                      |          |  |  |
| 20408-A                                 | Impeller - X20WST5AX                     |          |  |  |
| 6                                       | 04235                                    | 4        | Cap Screw 3/8 x 1-1/4                        |  |
| 7                                       | 20459                                    | 1        | Impeller Lock Nut                            |  |
| ** 8                                    | 08507                                    | 1        | Flat Gasket                                  |  |
|   | 22021                                    | 1        | O-Ring Gasket - Buna N - WT5X & WST5X (Std)  |  |
|   | 22020                                    | 1        | O-Ring Gasket - Viton - WPT5X (Std)          |  |
|   | 22133                                    | 1        | O-Ring Gasket - EPT +                        |  |
|   | 22102                                    | 1        | O-Ring Gasket -Teflon                        |  |

| SYMBOL NUMBER         | PART NUMBER | QUANTITY | DESCRIPTION  |
|-----------------------|-------------|----------|--|
| 9                     | 09453       | 2        | Pin  |
| 10                    | 20405       | 1        | Diffuser - 20WT5AX & 320WT5AX<br>30WPT5AX & 330WPT5AX<br>X20WST5AX & X320WST5AX                    |
|                       | 20405-1     | 1        | Diffuser - 5WPT5X & 35WPT5X  |
|                       | 20406       | 1        | Diffuser - All Except Above  |
| 11                    | 04231       | 1        | Suction Sleeve - Buna N - WT5X & WST5X (Std)   |
|                       | 09695       | 1        | Suction Sleeve - Viton - WPT5X (Std)   |
|                       | 20285       | 1        | Suction Sleeve - EPT +   |
| 12                    | 067565      | 1        | Gasket, Buna N - WT5X & WST5X  |
|                       | 20460       | 1        | Gasket, Viton - WPT5X  |
| 13                    | 04236       | 3        | Plug, 1/4-18 NPT   |
| 14                    | 05413       | 2        | Knob Assy  |
| 15                    | 20461       | 1        | Strainer, Basket   |
| 16                    | 20410       | 1        | Cover, Strainer  |
| 17                    | 20411       | 1        | Case   |
| 19                    | 20245       | 1        | Adapter - 20WT5AX & 320WT5AX<br>5WPT5X & 35WPT5X<br>30WPT5AX & 330WPT5AX<br>X20WST5AX & X320WST5AX |
|                       | 20245-1     | 1        | Adapter - All except Above   |
| 20                    | 20628       | 1        | Washer, 1/16 - 7WPT5X & 37WPT5X  |
|                       | 08542-A     | As Req.  | Washer, .032"  |
|                       | 20294       | As Req.  | Washer, .010"  |
|                       | 20497       | As Req.  | Washer, .005"  |
| <b>ALL IRON PARTS</b> |             |          |  |
| 5                     |             | 1        | Impeller (Omit Letter A)   |
| 13                    | 04236-A     | 3        | Plug   |

**SERIES: WT5X, WPT5X, WST5X SELF-PRIMING CENTRIFUGAL PUMPS**

\* Series WT5X, WPT5X & WST5X pumps have been manufactured with either cast iron or bronze impellers as standard.

All replacement impellers will be bronze as listed, unless iron is specified. For iron impellers, omit the letter "A" from part number. EXAMPLE: 20409-8.

\*\* Series WT5X, WPT5X & WST5X pumps have been manufactured with either a flat or O-ring type gasket.

Determine which type is required before ordering. When in doubt, order flat gasket.

+ For hot water or caustic service.

CSPP-67

For technical advice or service please take your pump into your local pump service center.  
To order pump or parts or for pricing please go to the following links :

[Burks Pumps Home >>](#)

[Burks Pumps stock list >>](#)