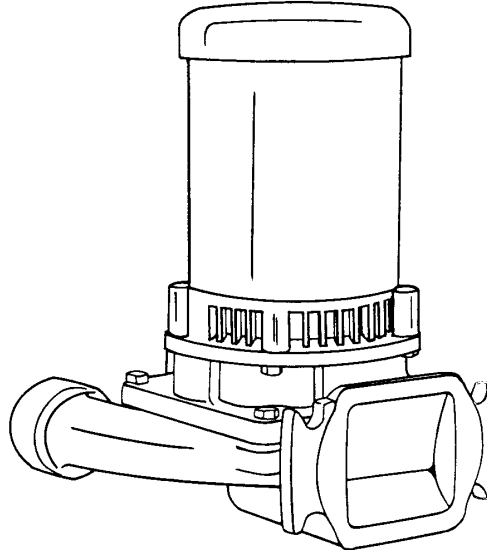


| | |
|----------|-------|
| SECTION | 2E |
| PAGE | 1 |
| ISSUED | 2/03 |
| REPLACES | 12/01 |

FLANGE-MOUNT CENTRIFUGAL PUMPS



Ideal for OEM applications requiring a pump with inlet flange-mounted to tank or other vessel.

Flanged and gasketed inlet will adapt to any flat mounting surface.

Pump may be installed vertically or horizontally.

May be used as replacement pump on Burks Series GV Condensate Return Systems.

FEATURES

- 1/3 thru 3 hp - seven stock sizes.
- Capacities to 80 GPM (5 L.P.S.) - Heads to 130 feet (39.6M).
- Efficient hydraulic design.
- Enclosed bronze impeller threaded onto stainless steel motor shaft.
- Impeller balanced for smooth, quiet operation.
- Replaceable bronze casing wear ring.
- Back pull-out design allows servicing without disturbing piping. Pump casing stays in place.
- Mechanical shaft seal is self-adjusting - for temperatures to 225°F (107°C) and pressures to 150 PSI (1034kpa).
- Special seals available for higher temperatures and fluids other than water.
- Tappings provided for venting and flushing seal area.
- Bronze fitted, close grain cast iron construction is standard. All Iron available.
- ODP motors are standard. Drip cover provided for vertical installation.
- EVERY pump is factory tested.

| | |
|----------|-------|
| SECTION | 2E |
| PAGE | 2 |
| ISSUED | 2/03 |
| REPLACES | 12/01 |

FEATURES

| MAXIMUM OPERATING CONDITIONS | |
|---|-------------------|
| TEMPERATURE (For Standard Buna-N Seal) | 225°F (107°C) |
| INLET PRESSURE | 100 PSI (690 kpa) |
| CASING WORKING PRESSURE | 200 PSI (1379kpa) |

Overload Protection: All single phase ODP and Totally Enclosed motors have built-in overload protection. All three phase motors and all explosion proof motors must be installed with a magnetic starter which provides full 3-leg protection. Failure to use correct starter and overloads will void motor warranty.

MOTORS

Standard pump motors have open drip proof construction and are rated with jet pump service factors for continuous duty operation. Open Drip Proof motors are 56 frame size with NEMA standard mounting flange, one piece threaded stainless steel shaft and ball/ball bearing construction.

MOTOR INFORMATION

60 Hz - 3500 RPM - ODP

50 Hz - 2900 RPM - ODP

Single Phase: Thru 2Hp - 115/230 Volt.

3Hp is 230Volt only

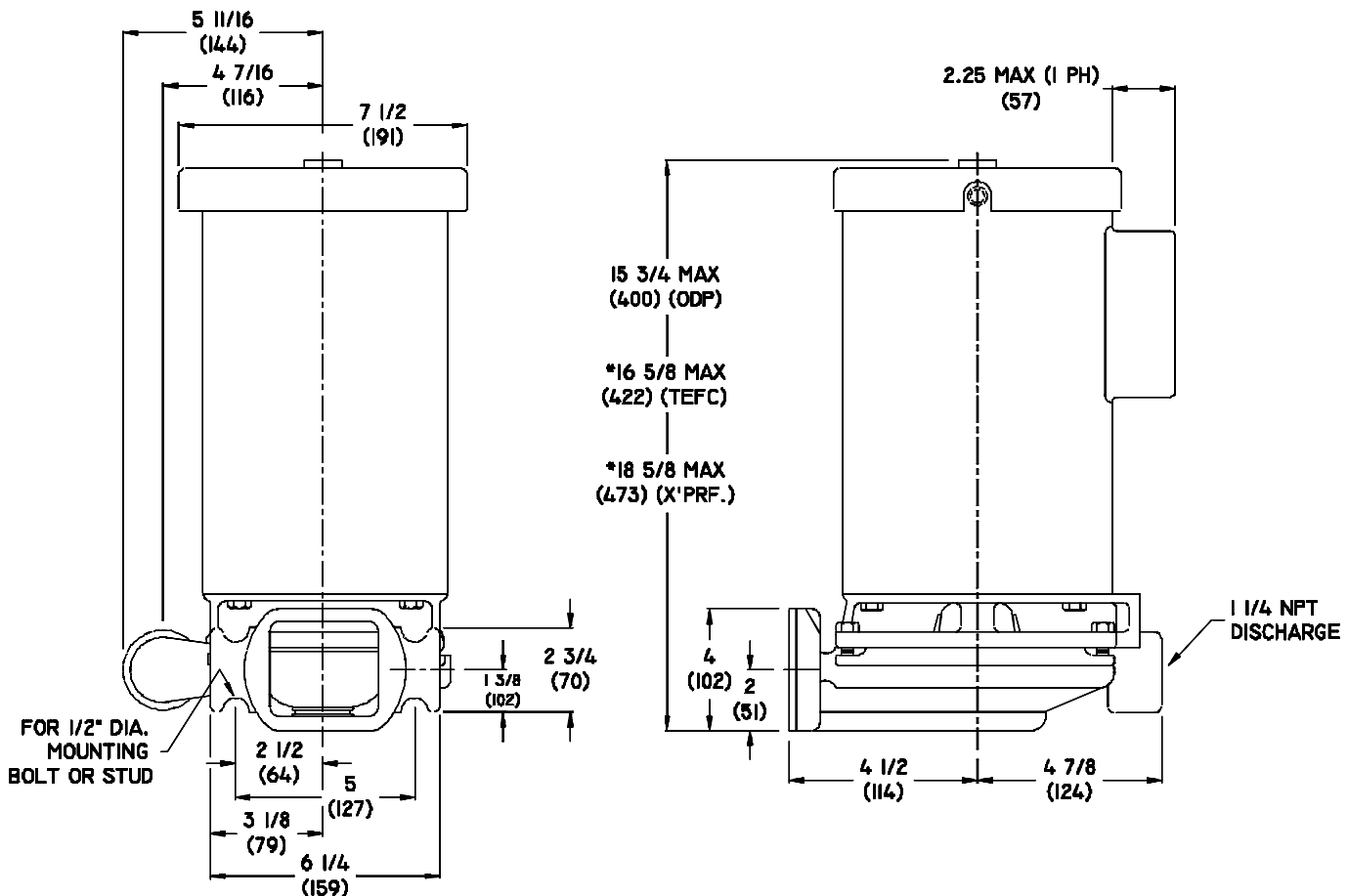
Three Phase: 230/460 Volt.

Voltages may differ from some suppliers. Consult factory.

MATERIALS OF CONSTRUCTION

| PART | ALL IRON | BRONZE FITTED |
|------------|-----------------------------------|-----------------------------------|
| Adapter | Cast Iron | Cast Iron |
| Casing | Cast Iron | Cast Iron |
| Shaft | #303 Stainless | #303 Stainless |
| Impeller | Cast Iron | Bronze |
| Wear Ring | Steel | Bronze |
| Shaft Seal | Carbon-Ceramic S. Steel-Buna-N | Carbon-Ceramic S. Steel-Buna-N |

Series GV6-11/4 pumps are not available with 3 HP Single Phase TEFC motors or 3 HP Explosion Proof motors - single phase.

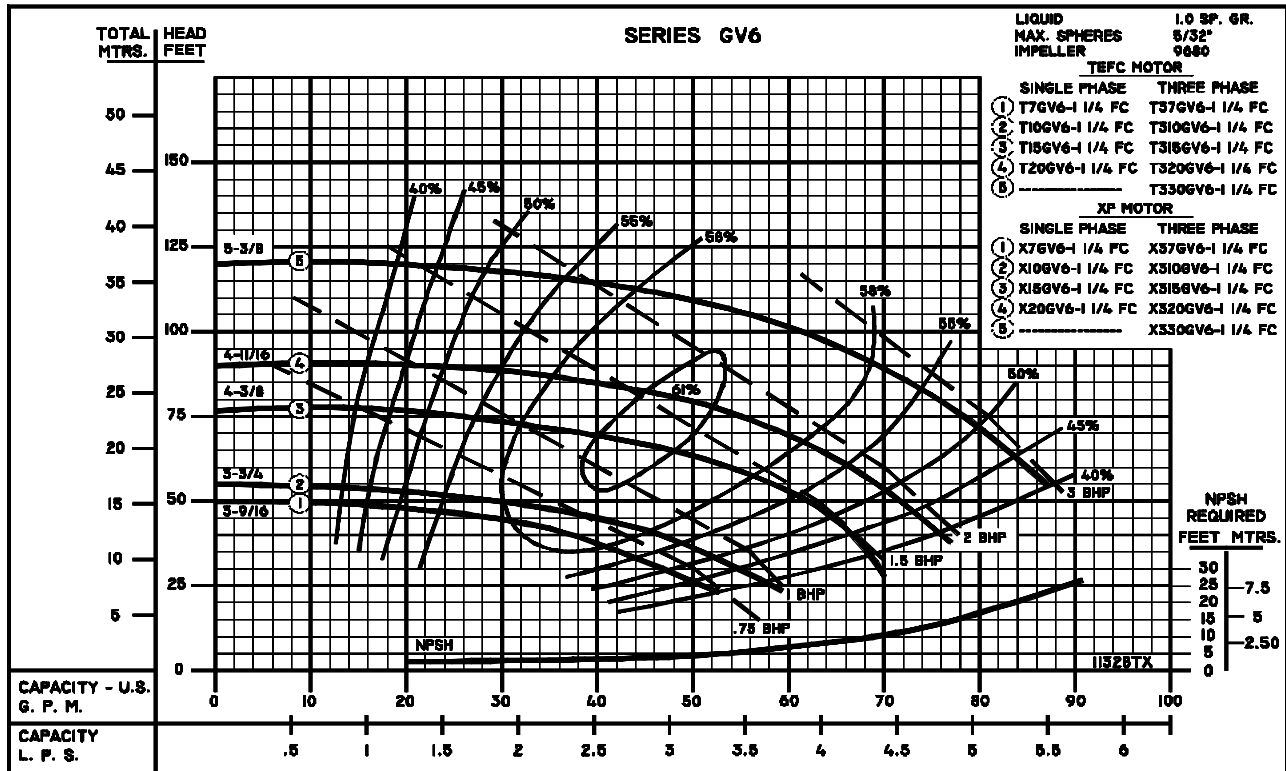
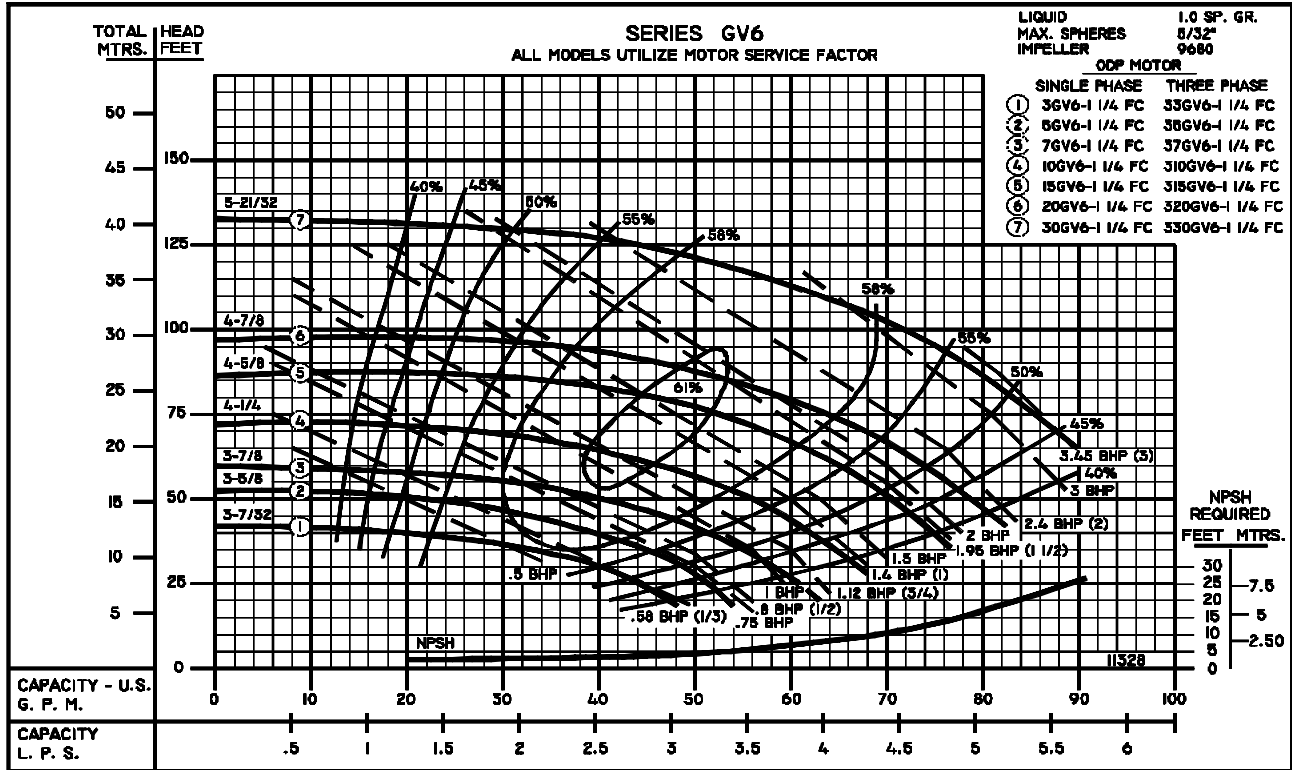




60HZ
PERFORMANCE CURVE

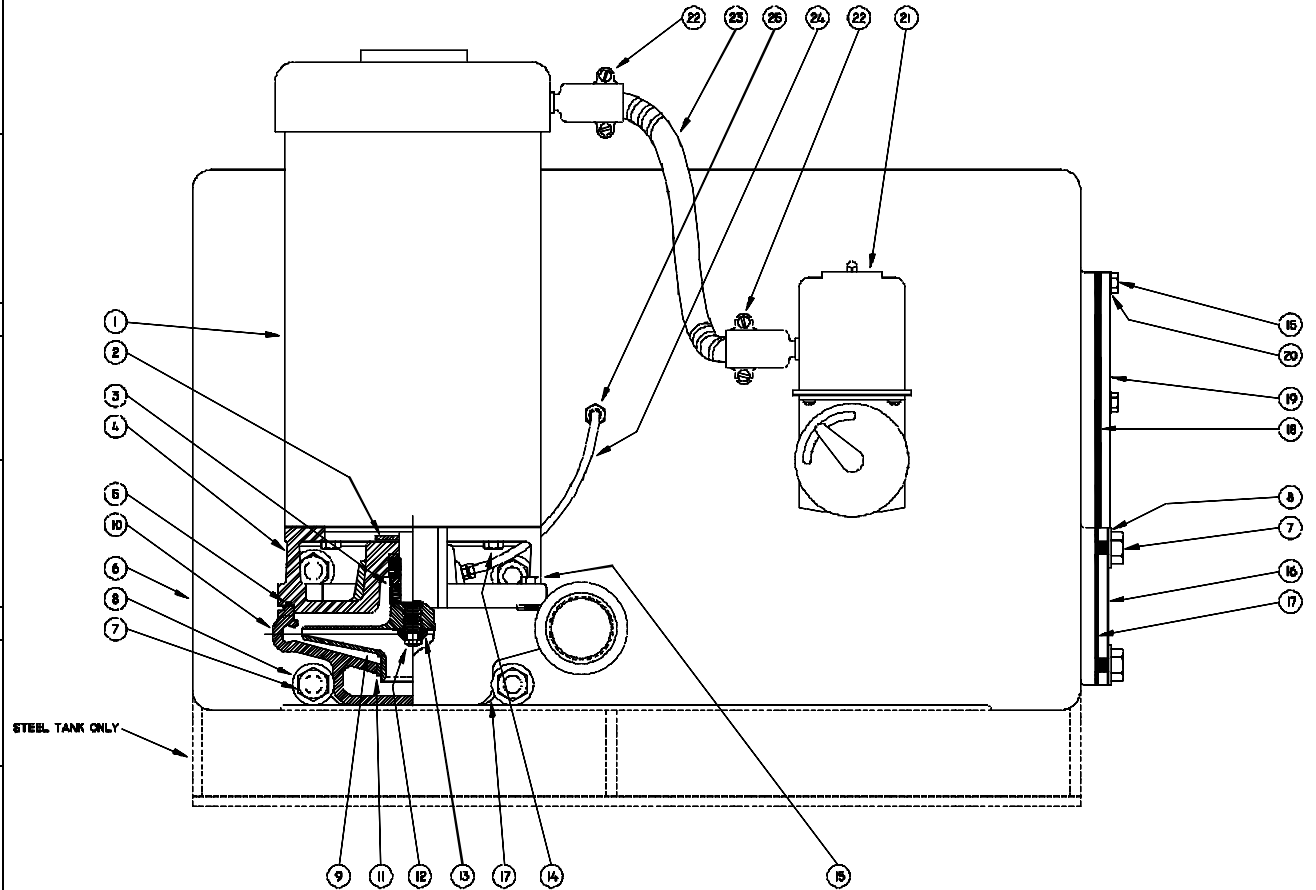
| | |
|----------|-------|
| SECTION | 2E |
| PAGE | 3 |
| ISSUED | 2/03 |
| REPLACES | 12/01 |

END SUCTION CENTRIFUGAL PUMPS



CRSP-98

| 1 - MOTORS (All 56J Frame) | | | |
|--|---|-------|-------|
| RPM & PHASE | PART NUMBER | HP | |
| OPEN DRIP PROOF | | | |
| 3500 RPM Single Phase (ODP) | 09581 | 1/3 | |
| | 09582 | 1/2 | |
| | 09625 | 3/4 | |
| | 09650 | 1 | |
| | 09675 | 1-1/2 | |
| | 09677 | 2 | |
| 3500 RPM Three Phase (ODP) | 09737 | 3 | |
| | 09661 | 1/3 | |
| | 09662 | 1/2 | |
| | 09652 | 3/4 | |
| | 09653 | 1 | |
| | 09676 | 1-1/2 | |
| TOTALLY ENCLOSED | 09678 | 2 | |
| | 09738 | 3 | |
| | 3500 RPM Single Phase (TENV / TEFC) | 09688 | 1/3 |
| | | 09690 | 3/4 |
| | | 09692 | 1 |
| | | 09774 | 1-1/2 |
| 09827 | | 2 | |
| 3500 RPM Three Phase (TENV / TEFC) | 09689 | 1/2 | |
| | 09691 | 3/4 | |
| | 09693 | 1 | |
| | 09758 | 1-1/2 | |
| | 09829 | 2 | |
| EXPLOSION PROOF | 21697 | 3 | |
| | 3500 RPM Single Phase (XP) | 20655 | 1/2 |
| | | 20513 | 3/4 |
| | | 20515 | 1 |
| | | 20517 | 1-1/2 |
| 3500 RPM Three Phase (XP) | 20519 | 2 | |
| | 20656 | 1/2 | |
| | 20514 | 3/4 | |
| | 20516 | 1 | |
| | 20518 | 1-1/2 | |
| 20520 | 2 | | |
| 09909 | 3 | | |



SERIES: GV CONDENSATE RETURN SYSTEMS & GV6 FLANGED PUMPS

File: GV.dwg

| SYMBOL NUMBER | PART NUMBER | QTY | DESCRIPTION |
|---------------|-------------|--------------------------------|-----------------------------------|
| 2 | 08105 | 1 | Slinger Washer |
| 3 | 08514 | 1 | Mechanical Seal - Buna N |
| 4 | 09657-1 | 1 | Adapter |
| 5 | 22021 | 1 | O-ring Gasket - Buna N |
| 6 | 22144 | 1 | Receiver Tank - 9 gal. CI |
| | 22145 | 1 | Receiver Tank - 14 gal. CI |
| | 22146 | 1 | Receiver Tank - 23 gal. CI |
| | 22339 | 1 | Receiver Tank - 23 gal. Steel |
| | 22147 | 1 | Receiver Tank - 36 gal. CI |
| | 22170 | 1 | Receiver Tank - 36 gal. Steel |
| | 22855 | 1 | Receiver Tank - 52 gal. Steel |
| | 22856 | 1 | Receiver Tank - 75 gal. Steel |
| 22857 | 1 | Receiver Tank - 120 gal. Steel | |
| 7 | 15-13-6 | A/R | Nut |
| 8 | 22234 | A/R | Washer |
| 9 | 09680-3.22 | 1 | Impeller - 3GV6/33GV6 |
| | 09680-3.63 | 1 | Impeller - 5GV6/35GV6 |
| | 09680-3.88 | 1 | Impeller - 7GV6/37GV6 |
| | 09680-4.25 | 1 | Impeller - 10GV6/310GV6 |
| | 09680-4.63 | 1 | Impeller - 15GV6/315GV6 |
| | 09680-4.88 | 1 | Impeller - 20GV6/320GV6 |
| 09680-5.66 | 1 | Impeller - 30GV6/330GV6 | |
| 10 | 22016 | 1 | Casing Assy. (Includes Symbol 11) |
| 11 | 22019 | 1 | Wear Ring |
| 12 | 21182 | 1 | Screw, Imp. Lock - 3PH Only |
| 13 | 21181-C | 1 | Washer - 3PH |
| 14 | 03122 | 4 | Cap Screw |
| 15 | 04235 | A/R | Cap Screw |

| SYMBOL NUMBER | PART NUMBER | QTY | DESCRIPTION |
|---------------|-------------|-----|--------------------------------------|
| 16 | 22072 | 1 | Cover |
| 17 | 22018 | A/R | Gasket, Pump to Tank |
| 18 | 04177 | 1 | Gasket - 23 & 36 Gal. Tanks |
| 19 | 22161 | 1 | Cover - 23 & 36 Gal. Tanks |
| 20 | 01609-A | 6 | Washer - 23 & 36 Gal. Tanks |
| 21 | 22167 | 1 | Float Switch - Simplex |
| | 22166 | 1 | Mech. Alternator - Duplex |
| | 22264 | 1 | Mech. Alternator - Duplex XP |
| | 22266 | 1 | Float Switch - XP Simplex |
| | 22265 | 1 | Float Switch - Watertight Simplex |
| | 22263 | 1 | Mech. Alternator - Watertight Duplex |
| 22 | 02313 | A/R | Connector, Conduit - Straight |
| | 01622 | | Connector, Conduit 90° |
| | 01623 | | Connector, Conduit - 45° |
| 23 | S6518 | A/R | Conduit (Specify Length) |
| | 22043 | A/R | Tube |
| | 21222 | A/R | Connector |
| Not Shown | 22334 | 1 | Float |
| Not Shown | B8283-1-E4 | 1 | Plate, Switch - 20 Gal. Tanks |
| Not Shown | B8285-1-L13 | 1 | Gasket, Plate - 20 Gal. Tanks |
| Not Shown | A5670-E4 | A/R | Flange - 20 Gal. Tanks |
| Not Shown | A6579-L6 | 1 | Gasket, Flange - 20 Gal. Tanks |

For technical advice or service please take your pump into your local pump service center.
To order pump or parts or for pricing please go to the following links :

[Burks Pumps Home >>](#)

[Burks Pumps stock list >>](#)