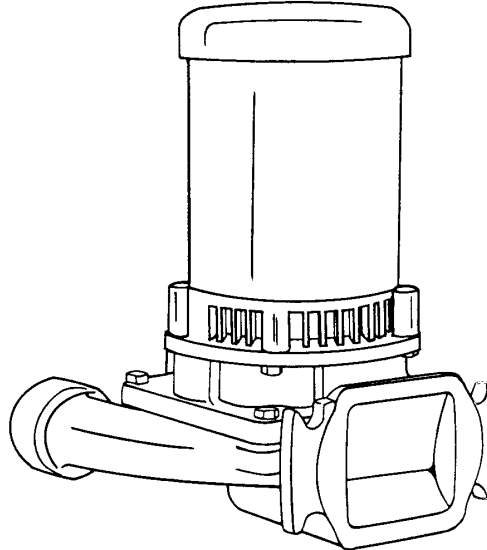


SECTION	2E
PAGE	1
ISSUED	2/03
REPLACES	12/01

## FLANGE-MOUNT CENTRIFUGAL PUMPS



Ideal for OEM applications requiring a pump with inlet flange-mounted to tank or other vessel.

Flanged and gasketed inlet will adapt to any flat mounting surface.

Pump may be installed vertically or horizontally.

May be used as replacement pump on Burks Series GV Condensate Return Systems.

### FEATURES

- 1/3 thru 3 hp - seven stock sizes.
- Capacities to 80 GPM (5 L.P.S.) - Heads to 130 feet (39.6M).
- Efficient hydraulic design.
- Enclosed bronze impeller threaded onto stainless steel motor shaft.
- Impeller balanced for smooth, quiet operation.
- Replaceable bronze casing wear ring.
- Back pull-out design allows servicing without disturbing piping. Pump casing stays in place.
- Mechanical shaft seal is self-adjusting - for temperatures to 225°F (107°C) and pressures to 150 PSI (1034kpa).
- Special seals available for higher temperatures and fluids other than water.
- Tappings provided for venting and flushing seal area.
- Bronze fitted, close grain cast iron construction is standard. All Iron available.
- ODP motors are standard. Drip cover provided for vertical installation.
- EVERY pump is factory tested.

SECTION	2E
PAGE	2
ISSUED	2/03
REPLACES	12/01

## FEATURES

MAXIMUM OPERATING CONDITIONS	
TEMPERATURE (For Standard Buna-N Seal)	225°F (107°C)
INLET PRESSURE	100 PSI (690 kpa)
CASING WORKING PRESSURE	200 PSI (1379kpa)

**Overload Protection:** All single phase ODP and Totally Enclosed motors have built-in overload protection. All three phase motors and all explosion proof motors must be installed with a magnetic starter which provides full 3-leg protection. Failure to use correct starter and overloads will void motor warranty.

### MOTORS

Standard pump motors have open drip proof construction and are rated with jet pump service factors for continuous duty operation. Open Drip Proof motors are 56 frame size with NEMA standard mounting flange, one piece threaded stainless steel shaft and ball/ball bearing construction.

#### MOTOR INFORMATION

60 Hz - 3500 RPM - ODP

50 Hz - 2900 RPM - ODP

**Single Phase:** Thru 2Hp - 115/230 Volt.

3Hp is 230Volt only

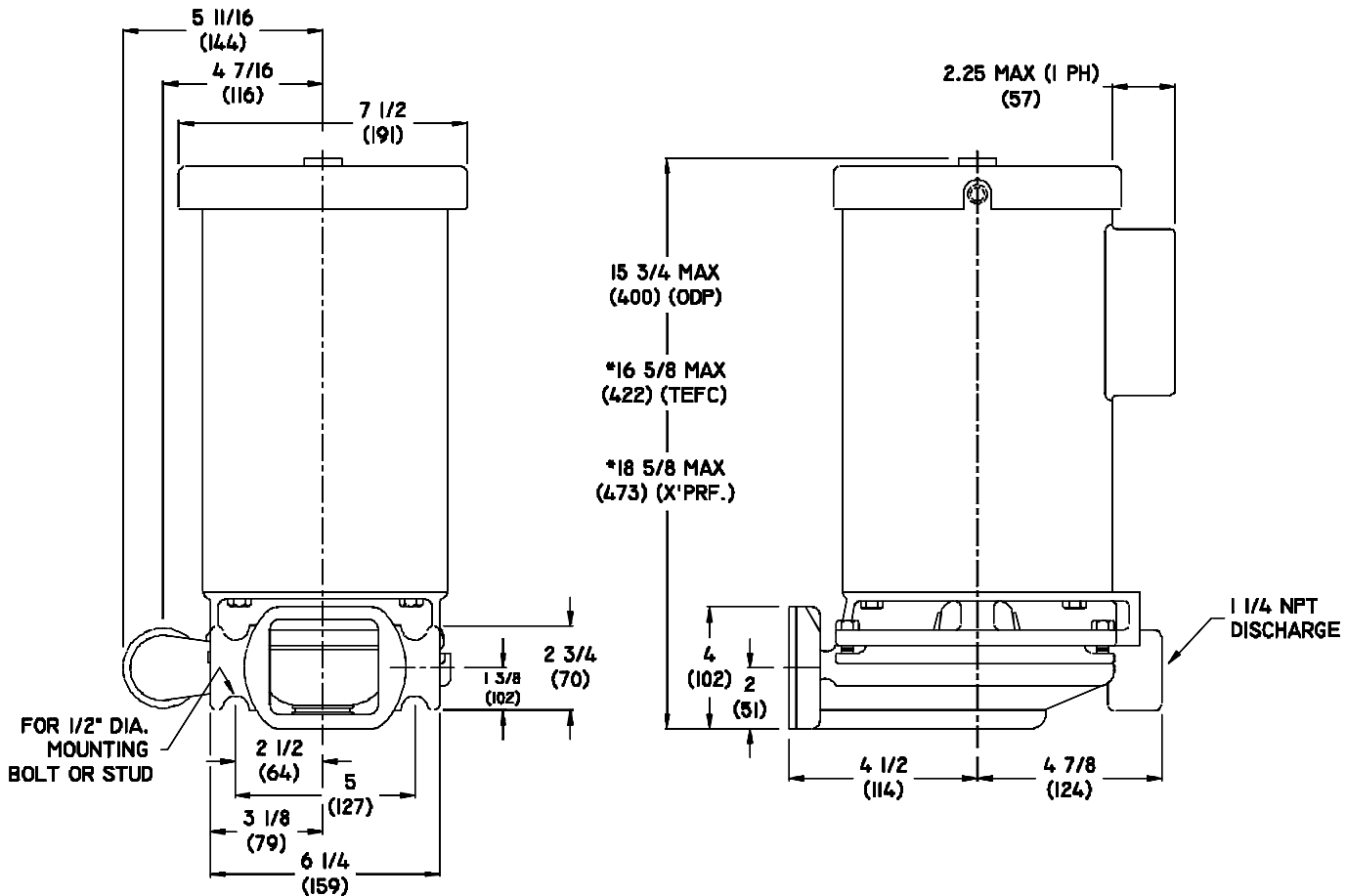
**Three Phase:** 230/460 Volt.

Voltages may differ from some suppliers. Consult factory.

### MATERIALS OF CONSTRUCTION

PART	ALL IRON	BRONZE FITTED
Adapter	Cast Iron	Cast Iron
Casing	Cast Iron	Cast Iron
Shaft	#303 Stainless	#303 Stainless
Impeller	Cast Iron	Bronze
Wear Ring	Steel	Bronze
Shaft Seal	Carbon-Ceramic S. Steel-Buna-N	Carbon-Ceramic S. Steel-Buna-N

Series GV6-11/4 pumps are not available with 3 HP Single Phase TEFC motors or 3 HP Explosion Proof motors - single phase.

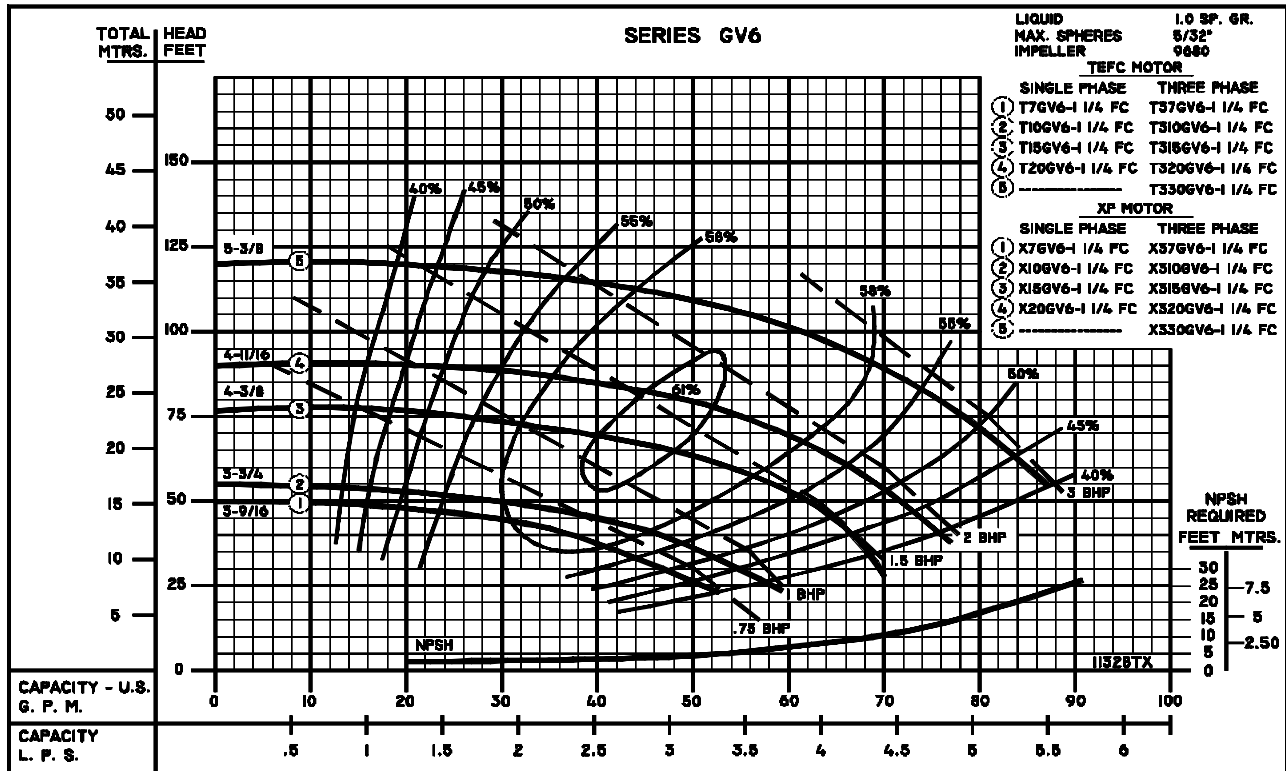
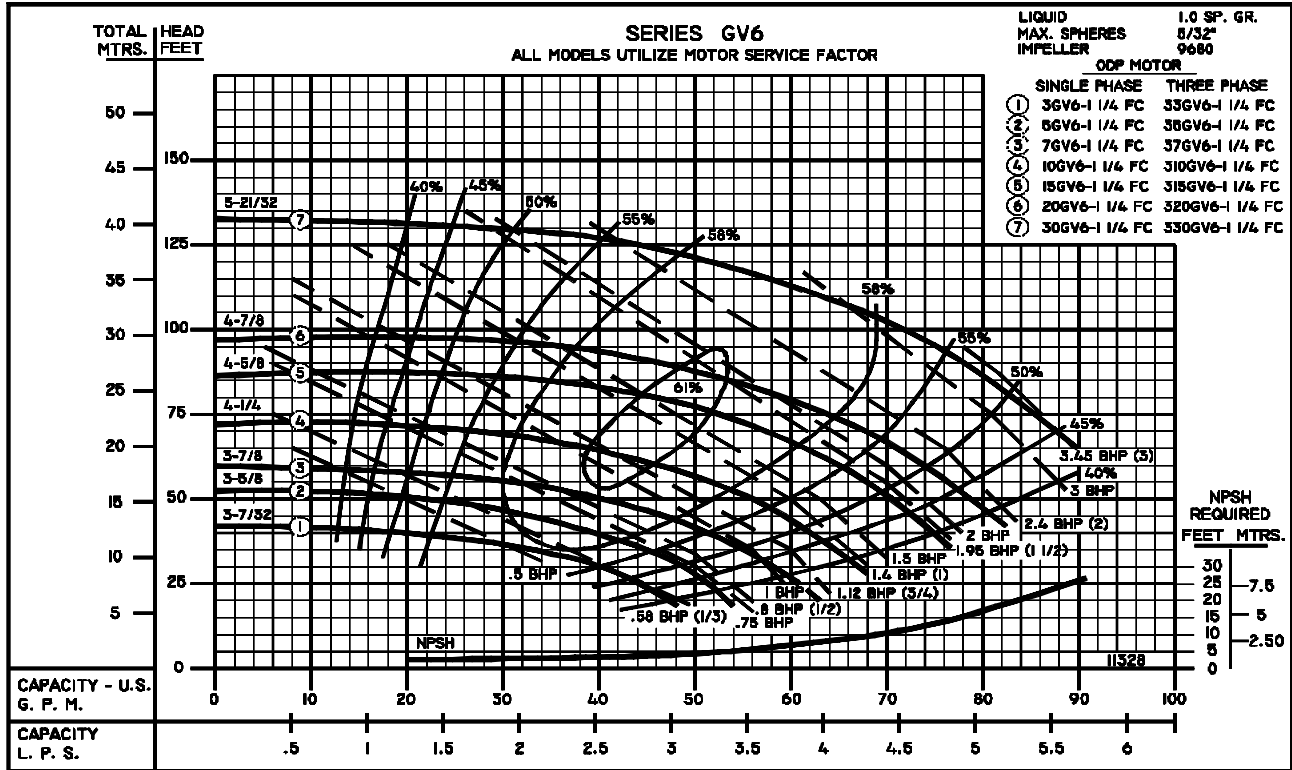




60HZ  
PERFORMANCE CURVE

SECTION	2E
PAGE	3
ISSUED	2/03
REPLACES	12/01

END SUCTION CENTRIFUGAL PUMPS



CRSP-98

1 - MOTORS (All 56J Frame)		
RPM & PHASE	PART NUMBER	HP
<b>OPEN DRIP PROOF</b>		
3500 RPM Single Phase (ODP)	09581	1/3
	09582	1/2
	09625	3/4
	09650	1
	09675	1-1/2
	09677	2
	09737	3
3500 RPM Three Phase (ODP)	09661	1/3
	09662	1/2
	09652	3/4
	09653	1
	09676	1-1/2
	09678	2
	09738	3
<b>TOTALLY ENCLOSED</b>		
3500 RPM Single Phase (TENV / TEFC)	09688	1/3
	09690	3/4
	09692	1
	09774	1-1/2
	09827	2
3500 RPM Three Phase (TENV / TEFC)	09689	1/2
	09691	3/4
	09693	1
	09758	1-1/2
	21697	2
<b>EXPLOSION PROOF</b>		
3500 RPM Single Phase (XP)	20655	1/2
	20513	3/4
	20515	1
	20517	1-1/2
3500 RPM Three Phase (XP)	20519	2
	20656	1/2
	20514	3/4
	20516	1
	20518	1-1/2
20520	2	
09909	3	



**SERIES: GV CONDENSATE RETURN SYSTEMS & GV6 FLANGED PUMPS**

File: GV.dwg

SYMBOL NUMBER	PART NUMBER	QTY	DESCRIPTION
2	08105	1	Slinger Washer
3	08514	1	Mechanical Seal - Buna N
4	09657-1	1	Adapter
5	22021	1	O-ring Gasket - Buna N
6	22144	1	Receiver Tank - 9 gal. CI
	22145	1	Receiver Tank - 14 gal. CI
	22146	1	Receiver Tank - 23 gal. CI
	22339	1	Receiver Tank - 23 gal. Steel
	22147	1	Receiver Tank - 36 gal. CI
	22170	1	Receiver Tank - 36 gal. Steel
	22855	1	Receiver Tank - 52 gal. Steel
	22856	1	Receiver Tank - 75 gal. Steel
22857	1	Receiver Tank - 120 gal. Steel	
7	15-13-6	A/R	Nut
8	22234	A/R	Washer
9	09680-3.22	1	Impeller - 3GV6/33GV6
	09680-3.63	1	Impeller - 5GV6/35GV6
	09680-3.88	1	Impeller - 7GV6/37GV6
	09680-4.25	1	Impeller - 10GV6/310GV6
	09680-4.63	1	Impeller - 15GV6/315GV6
	09680-4.88	1	Impeller - 20GV6/320GV6
09680-5.66	1	Impeller - 30GV6/330GV6	
10	22016	1	Casing Assy. (Includes Symbol 11)
11	22019	1	Wear Ring
12	21182	1	Screw, Imp. Lock - 3PH Only
13	21181-C	1	Washer - 3PH
14	03122	4	Cap Screw
15	04235	A/R	Cap Screw

SYMBOL NUMBER	PART NUMBER	QTY	DESCRIPTION
16	22072	1	Cover
17	22018	A/R	Gasket, Pump to Tank
18	04177	1	Gasket - 23 & 36 Gal. Tanks
19	22161	1	Cover - 23 & 36 Gal. Tanks
20	01609-A	6	Washer - 23 & 36 Gal. Tanks
21	22167	1	Float Switch - Simplex
	22166	1	Mech. Alternator - Duplex
	22264	1	Mech. Alternator - Duplex XP
	22266	1	Float Switch - XP Simplex
	22265	1	Float Switch - Watertight Simplex
	22263	1	Mech. Alternator - Watertight Duplex
22	02313	A/R	Connector, Conduit - Straight
	01622		Connector, Conduit 90°
	01623		Connector, Conduit - 45°
23	S6518	A/R	Conduit (Specify Length)
	22043	A/R	Tube
	21222	A/R	Connector
Not Shown	22334	1	Float
Not Shown	B8283-1-E4	1	Plate, Switch - 20 Gal. Tanks
Not Shown	B8285-1-L13	1	Gasket, Plate - 20 Gal. Tanks
Not Shown	A5670-E4	A/R	Flange - 20 Gal. Tanks
Not Shown	A6579-L6	1	Gasket, Flange - 20 Gal. Tanks

For technical advice or service please take your pump into your local pump service center.  
To order pump or parts or for pricing please go to the following links :

[Burks Pumps Home >>](#)

[Burks Pumps stock list >>](#)