



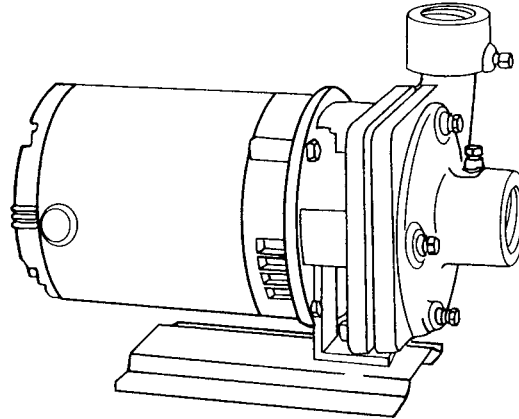
SERIES

G5-1-1/4

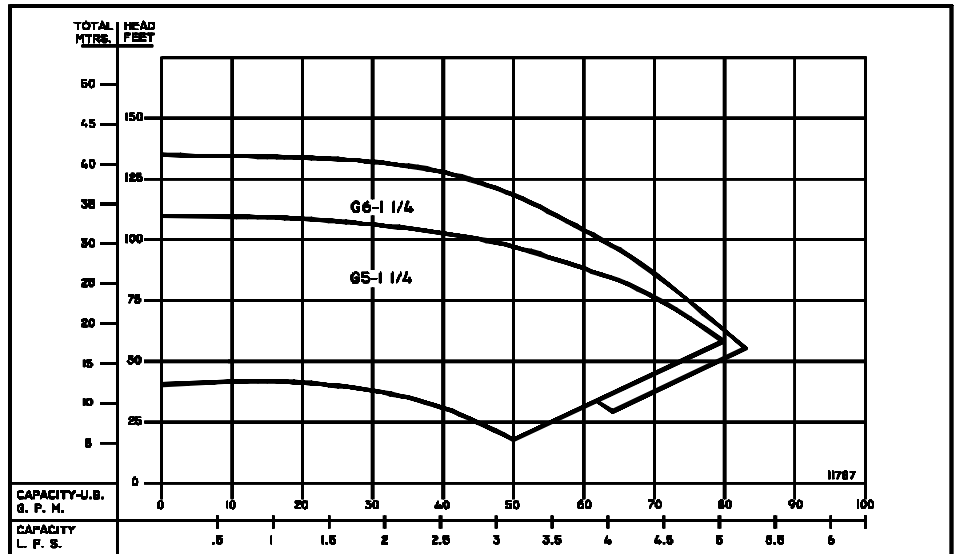
G6-1-1/4

SECTION	2B
PAGE	1
ISSUED	2/03
REPLACES	12/01

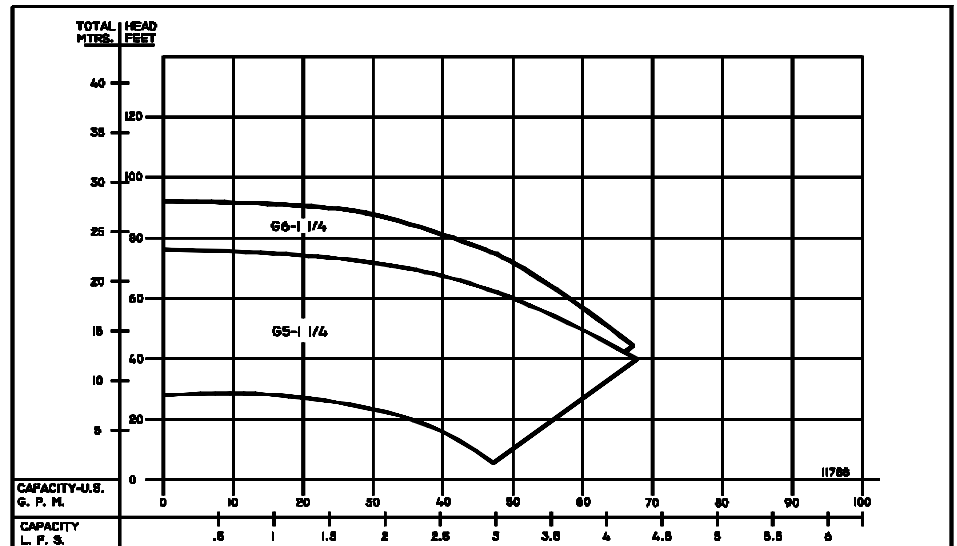
CLOSED COUPLED CENTRIFUGAL PUMPS



3500RPM - 60Hz.
CAPACITIES TO 80GPM (5LPS)
HEADS TO 135 FEET (41M)



2900RPM - 50Hz.
CAPACITIES TO 68 GPM (4.3LPS)
HEADS TO 92 FEET (28M)



PUMPS & SYSTEMS

SECTION	2B
PAGE	2
ISSUED	2/03
REPLACES	12/01



FEATURES

- FOUR POSITION CASING**
 Discharge can be located in any of four positions. Casing is close grain iron of 30,000 psi minimum tensile strength. Back pull-out design eliminates the need to disturb piping should the pump ever require service - the casing stays in the line.
- REPLACEABLE CASING WEAR RING**
 Prevents wear on casing and is easy to replace.
- EASY TO SERVICE**
 Taking out only 4 cap screws allows removal of pumping assembly without disturbing piping.
- ENCLOSED BRONZE IMPELLER**
 Enclosed bronze impeller is of latest hydraulic design for maximum efficiency. It is balanced for vibration free operation and threaded onto stainless steel motor shaft.
- MECHANICAL SHAFT SEAL**
 Standard self-adjusting shaft seal for temperatures to 225°F (107°C) and pressures to 150 psi (1034kpa). Ceramic seat and carbon seal face for long trouble-free service. Special seals are available for higher temperatures and fluids other than water.
- MOTORS**
 Standard pump motors have open drip proof construction and are rated with jet pump service factors for continuous duty operation. Motors are 56 frame size with NEMA standard mounting flange, one piece threaded stainless steel shaft and ball/ball bearing construction.
- FACTORY TESTED**
 After careful assembly and inspection, **EVERY** pump is factory tested and will meet Hydraulic Institute standards.

MAXIMUM OPERATING CONDITIONS	
TEMPERATURE (For Standard Buna-N Seal)	225°F (107°C)
INLET PRESSURE	100 PSI (690 kpa)
CASING WORKING PRESSURE	200 PSI (1379kpa)

MOTOR INFORMATION

60 Hz - 3500 RPM - ODP

Single Phase: 1/3 thru 2 Hp. - 115/230 Volt
3 Hp. - 230 Volt only

Three Phase: 1/3 thru 3 Hp. - 208-230/460 Volt
50 Hz - 2900 RPM - ODP

Single Phase: 110/220 Volt

Three Phase: 380 Volt

Voltages may differ from some suppliers. Consult factory.
Overload Protection: All single phase ODP and Totally Enclosed motors have built-in overload protection. All three phase motors and all explosion proof motors must be installed with a magnetic starter which provides full 3-leg protection. Failure to use correct starter and overloads will void motor warranty.

JACKETED SEAL CAVITY FOR TEMPERATURES TO 500°F (260°C).

Series G5-1-1/4 & G6-1-1/4 Pumps are available in a Jacketed Seal Cavity design for pumping hot oil, hot water and heat transfer fluids in common use in high temperature heating or cooling applications. This feature greatly extends seal life in high temperature applications. To order, add suffix "MJ" to pump catalog number for temperatures below 400°F (204°C) and add suffix "MJK" to pump catalog number for temperatures over 400°F (204°C). Example: G5-1-1/4MJ. See Section on High Temperature Pumps for more information.

MATERIALS OF CONSTRUCTION

PART	ALL IRON	BRONZE FITTED	*Stainless Steel	ALL BRONZE
Adapter	Cast Iron	Cast Iron	#316 Stainless	Bronze
Casing	Cast Iron	Cast Iron	#316 Stainless	Bronze
Casing Wear Ring	Steel	Bronze	#316 Stainless	Bronze
Shaft	#303 Stainless	#303 Stainless	#303 Stainless	#303 Stainless
Impeller	Cast Iron	Bronze	#316 Stainless	Bronze
Shaft Seal	Carbon-Ceramic S. Steel-Buna-N	Carbon-Ceramic S. Steel-Buna-N	Carbon-Ceramic S. Steel-Buna-N	Carbon-Ceramic S. Steel-Buna-N

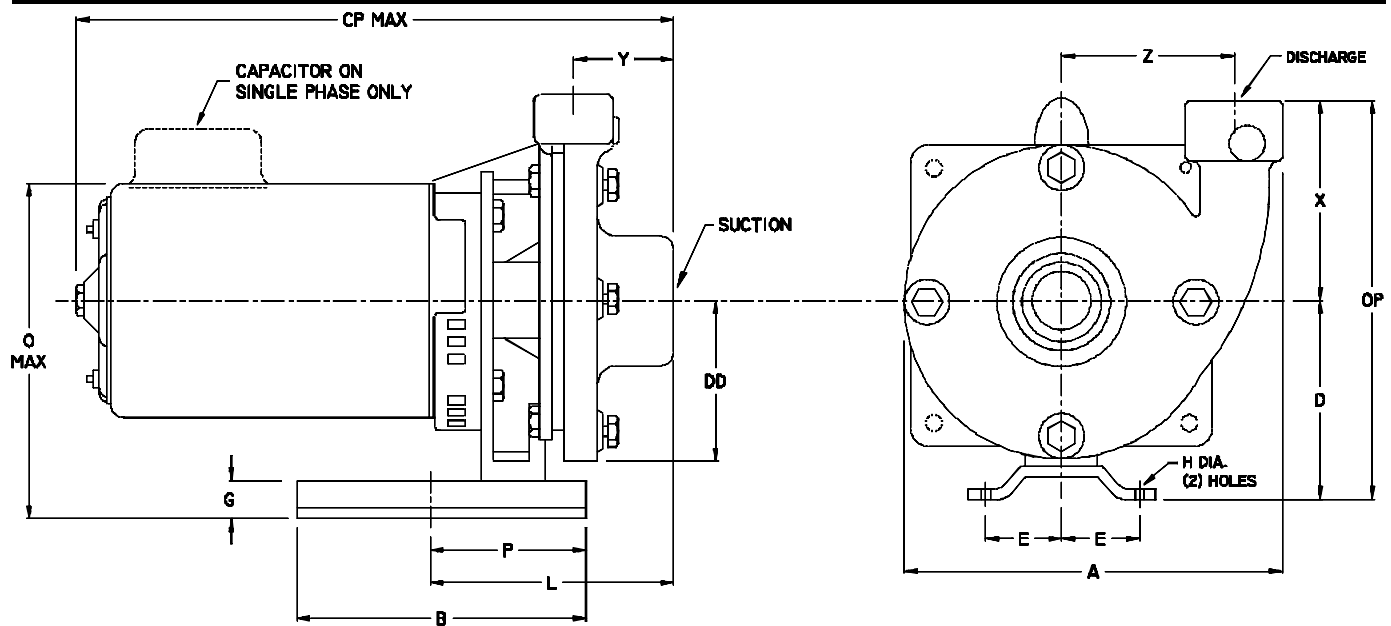
*G5-1-1/4 ONLY



PUMPS & SYSTEMS

PumpAgents.com - buy pumps and parts online

DIMENSIONS



DIMENSIONS IN INCHES																		
CATALOG NUMBER	MOTOR FRAME SIZE	DISC NPT	SUCT. NPT	A	B	CP	D	DD	E	G	H	L	O	OP	P	X	Y	Z
G5-1 ¹ / ₄	56	1 ¹ / ₄	1 ¹ / ₂	7 ³ / ₄	8	15 ³ / ₄	4 ³ / ₄	3 ¹ / ₄	1 ¹⁵ / ₁₆	3/4	9/16	6 ⁷ / ₈	8 ⁹ / ₁₆	9 ³ / ₈	4 ⁵ / ₁₆	4 ⁷ / ₁₆	2 ³ / ₈	3 ³ / ₈
G6-1 ¹ / ₄	56	1 ¹ / ₄	1 ¹ / ₂	8 ¹ / ₂	8	15 ⁷ / ₈	5 ¹ / ₄	3 ³ / ₄	1 ¹⁵ / ₁₆	3/4	9/16	7 ¹ / ₄	9 ¹ / ₁₆	10	4 ⁵ / ₁₆	4 ¹¹ / ₁₆	2 ¹ / ₂	3 ³ / ₄

DIMENSIONS IN MILLIMETERS																		
CATALOG NUMBER	MOTOR FRAME SIZE	DISC NPT Inch	SUCT. NPT Inch	A	B	CP	D	DD	E	G	H	L	O	OP	P	X	Y	Z
G5-1 ¹ / ₄	56	1 ¹ / ₄	1 ¹ / ₂	197	203	400	121	83	49	19	14	175	217	238	109	113	60	86
G6-1 ¹ / ₄	56	1 ¹ / ₄	1 ¹ / ₂	216	203	403	133	95	49	19	14	184	230	254	109	119	64	95

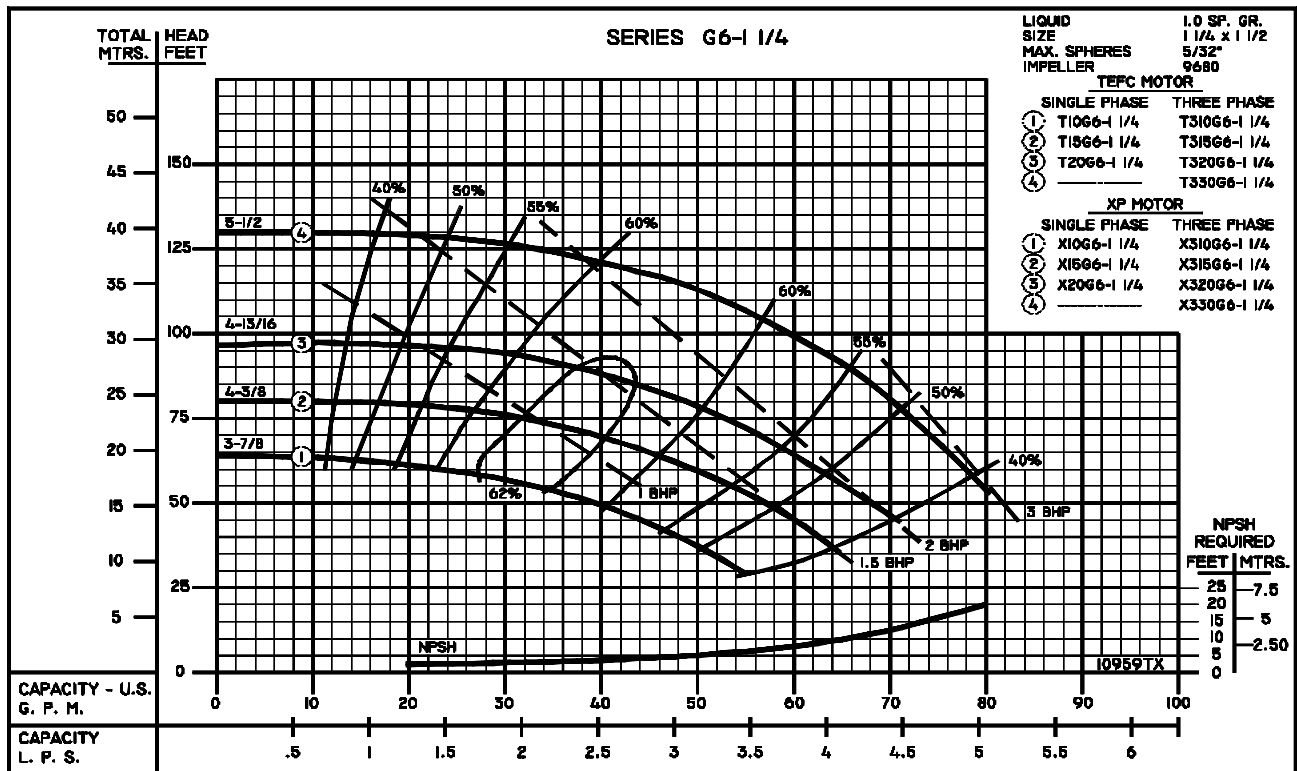
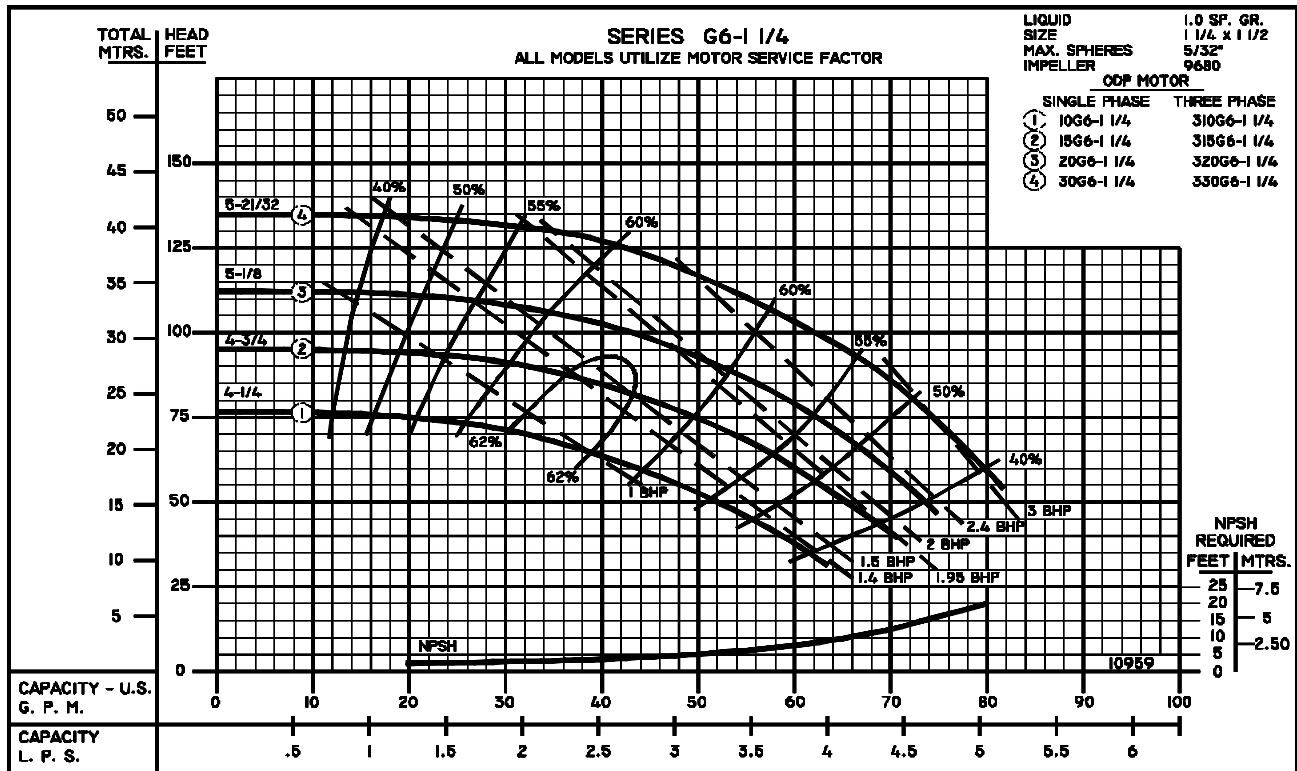
DIMENSIONS SHOWN ABOVE ARE APPROXIMATE MAXIMUM DIMENSIONS FOR STANDARD PUMPS EQUIPPED WITH ODP MOTORS.



60HZ
PERFORMANCE CURVE

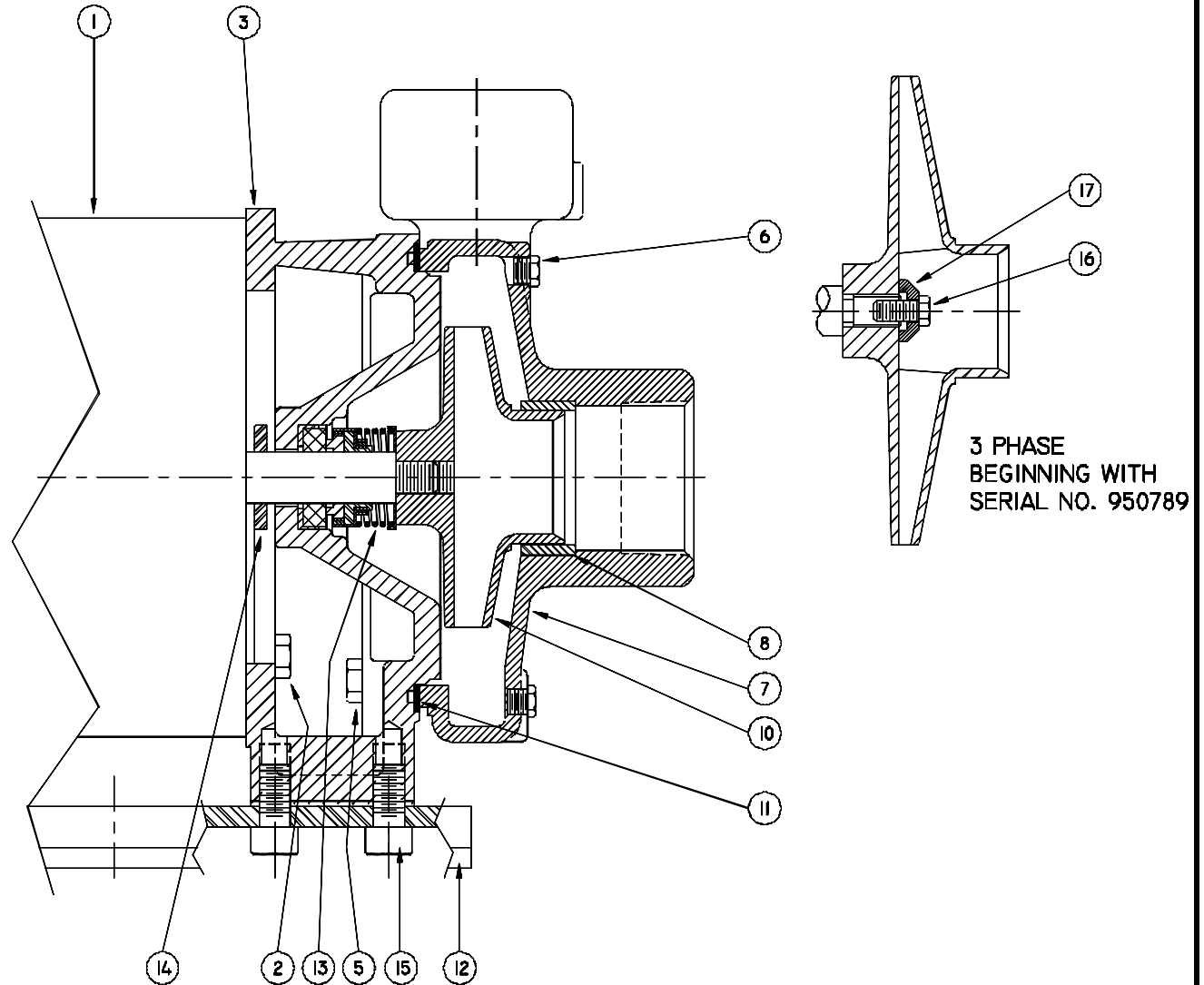
SECTION	2B
PAGE	5
ISSUED	2/03
REPLACES	12/01

END SUCTION CENTRIFUGAL PUMPS



CCCP-20

1 - MOTORS (All 56J Frame)		
RPM & PHASE	PART NUMBER	HP
OPEN DRIP PROOF		
3500 RPM Single Phase (ODP)	09581	1/3
	09582	1/2
	09625	3/4
	09650	1
	09675	1-1/2
	09677	2
	09737	3
3500 RPM Three Phase (ODP)	09661	1/3
	09662	1/2
	09652	3/4
	09653	1
	09676	1-1/2
	09678	2
	09738	3
TOTALLY ENCLOSED		
3500 RPM Single Phase (TENV / TEFC)	09688	1/3
	09690	3/4
	09692	1
	09774	1-1/2
	09827	2
3500 RPM Three Phase (TENV / TEFC)	09689	1/2
	09691	3/4
	09693	1
	09758	1-1/2
	09829	2
	21697	3
EXPLOSION PROOF		
3500 RPM Single Phase (XP)	20655	1/2
	20513	3/4
	20515	1
	20517	1-1/2
	20519	2
3500 RPM Three Phase (XP)	20656	1/2
	20514	3/4
	20516	1
	20518	1-1/2
	20520	2
	09909	3



SERIES: G5-1-1/4 & G6-1-1/4 CENTRIFUGAL PUMPS

File: G5-125.dwg

SYMBOL NUMBER	PART NUMBER	QUANTITY	DESCRIPTION
2	03122	4	Cap Screw
3	09630	1	Adapter - G5-1-1/4 Series
	09630-C	1	Adapter w/Flush Tap- G5-1-1/4 Series
	09657	1	Adapter - G6-1-1/4 Series
	09657-2	1	Adapter w/Flush Tap- G6-1-1/4 Series
5	04235	4	Cap Screw, 3/8" x 1-1/4" Lg
6	01691-A	5	Pipe Plug, 1/8" Brass
**	22148	1	Casing Assy. - G5-1-1/4 Series
	22149	1	Casing Assy. - G6-1-1/4 Series
8	09632	1	Wear Ring
10	09680-3.25	1	Impeller - 3G5-1-1/4
	09680-3.63	1	Impeller - 5G5-1-1/4
	09680-4.00	1	Impeller - 7G5-1-1/4
	09680-4.25	1	Impeller - 10G5-1-1/4
	09680-4.75	1	Impeller - 15G5-1-1/4
	09680-4.97	1	Impeller - 20G5-1-1/4
	09680-4.25	1	Impeller - 10G6-1-1/4
	09680-4.75	1	Impeller - 15G6-1-1/4
09680-5.13	1	Impeller - 20G6-1-1/4	
09680-5.66	1	Impeller - 30G6-1-1/4	
<small>Stock pump Catalog Numbers shown are for 1 phase units. Use same impellers for 3 phase units.</small>			
11	9634	1	Flat Gasket - G5-1-1/4 Series
	008507	1	Flat Gasket - G6-1-1/4 Series
	G5-1-1/4 Series		
	21333	1	O-Ring Gasket - Buna N (Std)
	21546	1	O-Ring Gasket - Viton
	22132	1	O-Ring Gasket - EPT*
	22058	1	O-Ring Gasket - Teflon
	G6-1-1/4 Series		
	22021	1	O-Ring Gasket - Buna N (Std)
	22020	1	O-Ring Gasket - Viton
	22133	1	O-Ring Gasket - EPT*
22102	1	O-Ring Gasket - Teflon	
12	08827	1	Base
13	08514	1	Mechanical Seal - Buna N (Std)
	09762	1	Mechanical Seal - Viton
	20764-C	1	Mechanical Seal - EPT*
14	08105	1	Slinger Washer
15	01928	2	Cap Screw & 3503 Washer
16	21182	1	Screw
17	21181-C	1	Washer - Bronze

SYMBOL NUMBER	PART NUMBER	QUANTITY	DESCRIPTION
DIFFERING PARTS FOR ALL BRONZE CONSTRUCTION			
2	03122-A	4	Cap Screw
3	09630-A	1	Adapter-Bronze -G5-1/14
	09657-A	1	Adapter-Bronze -G6-1-1/4
5	03288	4	Cap Screw
**	22148-A	1	Casing Assy. - G5-1-1/4AB
	22149-A	1	Casing Assy. - G6-1-1/4AB
15	03289	2	Cap Screw & 20056 Washer
DIFFERING PARTS FOR ALL IRON CONSTRUCTION			
6	00158	5	Pipe Plug 1/8"
7	22148-B	1	Casing Assy. - G5-1-1/4AI
	22149-B	1	Casing Assy. - G6-1-1/4AI
8	09632-C	1	Wear Ring
10	09680-C-3.25	1	Impeller - 3G5-1-1/4AI
	09680-C-3.63	1	Impeller - 5G5-1-1/4AI
	09680-C-4.00	1	Impeller - 7G5-1-1/4AI
	09680-C-4.25	1	Impeller - 10G5-1-1/4AI
	09680-C-4.75	1	Impeller - 15G5-1-1/4AI
	09680-C-4.97	1	Impeller - 20G5-1-1/4AI
	09680-C-4.25	1	Impeller - 10G6-1-1/4AI
	09680-C-4.75	1	Impeller - 15G6-1-1/4AI
	09680-C-5.13	1	Impeller - 20G6-1-1/4AI
	09680-C-5.66	1	Impeller - 30G6-1-1/4AI
<small>Stock pump Catalog Numbers shown are for 1 phase units. Use same impellers for 3 phase units.</small>			
17	21181-A	1	Washer - S.S.
DIFFERING PARTS FOR G5-1-1/4 S.S. CONSTRUCTION			
3	09630-B	1	Adapter
5	04235-A	4	Cap Screw S.S.
6	01691-B	5	Pipe Plug - 1/8" S.S.
7	09633-B	1	Casing Assy.
10	09680-B-3.25	1	Impeller - 3G5-1-1/4 S.S.
	09680-B-3.63	1	Impeller - 5G5-1-1/4 S.S.
	09680-B-4.00	1	Impeller - 7G5-1-1/4 S.S.
	09680-B-4.25	1	Impeller - 10G5-1-1/4 S.S.
	09680-B-4.75	1	Impeller - 15G5-1-1/4 S.S.
09680-B-4.97	1	Impeller - 20G5-1-1/4 S.S.	
11	21021	1	O-Ring Viton
	23023	1	O-Ring Buna N (Std)
	23024	1	O-Ring EPT
17	21181-A	1	Washer - S.S.

** Includes Symbol 6

CCCP-21

SERIES: G5-1-1/4 & G6-1-1/4

* For hot water or caustic service.

** Includes Symbol 6 & 8

+ G5-1-1/4 and G6-1-1/4 Series pumps have been manufactured with either a flat or O ring type gasket. Determine which type is required before ordering. When in doubt, order flat gasket.

For technical advice or service please take your pump into your local pump service center.
To order pump or parts or for pricing please go to the following links :

[Burks Pumps Home >>](#)

[Burks Pumps stock list >>](#)