

| | |
|----------|-------|
| SECTION | 2F |
| PAGE | 1 |
| ISSUED | 2/03 |
| REPLACES | 12/01 |

CONDENSATE RETURN SYSTEMS



Condensate Receiver Tanks are designed for gravity return systems only, and are not to be pressurized. Tanks **must** be vented to atmosphere to prevent pressure build-up in tank. Vent size shall be 1-1/4 inch (32mm) minimum.

FEATURES

PUMPS

- Vertically flange-mounted centrifugal pumps are of bronze fitted construction with mechanical shaft seal for temperatures to 225°F (107°C).
- Seal area is automatically vented and flushed. Back pull-out design allows servicing without disturbing piping.
- Bronze impellers are precision balanced for smooth, quiet operation.
- Efficient hydraulic design for non-overloading performance at all ratings shown.

RECEIVER TANKS

- Rugged cast iron receivers for lifetime service under the most severe conditions. Low return inlet. Available in 9, 14, 20 and 36 gallon (34, 53, 87, and 136 Liters) sizes.
- Optional steel receiver available
- **EVERY** pump is factory tested.

MOTORS

- Drip-proof NEMA standard motors have dual ball bearings and threaded stainless steel shaft. All single phase motors have built-in overload protection. All three phase motors must be installed with a magnetic starter which provides full overload protection. Failure to use correct starter and overload protectors will void warranty.
- Single phase motors thru 2 HP are 115/230 Volt, 60 Hz. 3 HP is 230 Volt only.
- Three phase motors are 230/460 Volt, 60 Hz.

CONTROLS

- Simplex systems are equipped with a heavy duty adjustable float switch with stainless steel float and rod.
- Duplex systems are equipped with a mechanical alternator.

| | |
|----------|-------|
| SECTION | 2F |
| PAGE | 2 |
| ISSUED | 2/03 |
| REPLACES | 12/01 |



SERIES GV CAST IRON CONDENSATE RETURN SYSTEMS PERFORMANCE AND SELECTION

| Max. EDR Sq. Ft. | Equiv. Boiler H.P. | Max. GPM (Liters) Req'd. | Discharge Pressure PSIG (kpa) | Simplex Catalog No. | Duplex Catalog No. | Motor H.P. | Pump Discharge Size (NPT) | Receiver | |
|------------------|--------------------|--------------------------|-------------------------------|---------------------|--------------------|------------|---------------------------|--|------------------|
| | | | | | | | | Size Gals. (Liters) | Inlet Size (NPT) |
| 6,000 | 40 | 9 (34) | 10 (69) | 3GV6-9 | 3GV6-14D | 1/3 | 1 1/4" | 9 (34) Simplex 14 (53) Duplex | 2" |
| | | | 20 (138) | 5GV6-9 | 5GV6-14D | 1/2 | | | |
| | | | 30 (207) | 10GV6-9 | 10GV6-14D | 1 | | | |
| | | | 40 (276) | 20GV6-9 | 20GV6-14D | 2 | | | |
| | | | 50 (345) | 30GV6-9 | 30GV6-14D | 3 | | | |
| 10,000 | 70 | 15 (57) | 10 (69) | 3GV6-14 | 3GV6-14D | 1/3 | 1 1/4" | 14 (53) | 2" |
| | | | 20 (138) | 5GV6-14 | 5GV6-14D | 1/2 | | | |
| | | | 30 (207) | 10GV6-14 | 10GV6-14D | 1 | | | |
| | | | 40 (276) | 20GV6-14 | 20GV6-14D | 2 | | | |
| | | | 50 (345) | 30GV6-14 | 30GV6-14D | 3 | | | |
| 15,000 | 100 | 22 1/2 (85.2) | 10 (69) | 3GV6-20 | 3GV6-20D | 1/3 | 1 1/4" | 20 (76) | 2" |
| | | | 20 (138) | 5GV6-20 | 5GV6-20D | 1/2 | | | |
| | | | 30 (207) | 10GV6-20 | 10GV6-20D | 1 | | | |
| | | | 40 (276) | 20GV6-20 | 20GV6-20D | 2 | | | |
| | | | 50 (345) | 30GV6-20 | 30GV6-20D | 3 | | | |
| 20,000 | 140 | 30 (114) | 10 (69) | 3GV6-36 | 3GV6-36D | 1/3 | 1 1/4" | 36 (136) | 3" |
| | | | 20 (138) | 7GV6-36 | 7GV6-36D | 3/4 | | | |
| | | | 30 (207) | 10GV6-36 | 10GV6-36D | 1 | | | |
| | | | 40 (276) | 20GV6-36 | 20GV6-36D | 2 | | | |
| | | | 50 (345) | 30GV6-36 | 30GV6-36D | 3 | | | |
| 30,000 | 215 | 45 (170) | 10 (69) | 3GV6-36 | 3GV6-36D | 1/3 | 1 1/4" | 36 (136) | 3" |
| | | | 20 (138) | 7GV6-36 | 7GV6-36D | 3/4 | | | |
| | | | 30 (207) | 15GV6-36 | 15GV6-36D | 1 1/2 | | | |
| | | | 40 (276) | 20GV6-36 | 20GV6-36D | 2 | | | |
| | | | 50 (345) | 30GV6-36 | 30GV6-36D | 3 | | | |
| 40,000 | 285 | 60 (227) | 10 (69) | 7GV6-36 | 7GV6-36D | 3/4 | 1 1/4" | 36 (136) | 3" |
| | | | 20 (138) | 10GV6-36 | 10GV6-36D | 1 | | | |
| | | | 30 (207) | 20GV6-36 | 20GV6-36D | 2 | | | |
| | | | 40 (276) | 30GV6-36 | 30GV6-36D | 3 | | | |
| 50,000 | 360 | 75 (284) | 10 (69) | 15GV6-36 | 15GV6-36D | 1 1/2 | 1 1/4" | 36 (136) | 3" |
| | | | 20 (138) | 20GV6-36 | 20GV6-36D | 2 | | | |
| | | | 30 (207) | 30GV6-36 | 30GV6-36D | 3 | | | |
| | | | 40 (276) | 30GV6-36 | 30GV6-36D | 3 | | | |

All selection are based on pump capacities of 1.5 gpm per 1000 sq. ft. of Equivalent Direct Radiation (EDR).

Catalog Numbers shown are for units with single phase motors.

For three phase, add prefix "3" to Catalog No. Example: 35GV6-9

For Steel Receiver, add suffix "-SR" to Catalog No., Example: 10GV6-36-SR

23, 36, 75, 120 gallon (87, 136, 284, 454 Liters) Steel Receivers Available, Contact Factory for Pricing and dimensions.



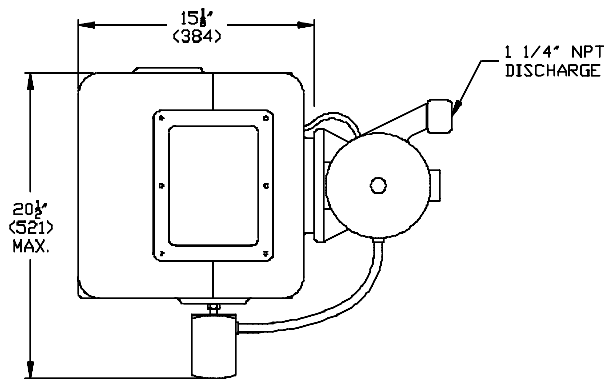
PUMPS & SYSTEMS

PumpAgents.com - buy pumps and parts online

| | |
|----------|-------|
| SECTION | 2F |
| PAGE | 3 |
| ISSUED | 2/03 |
| REPLACES | 12/01 |

SERIES GV CAST IRON CONDENSATE RETURN SYSTEMS DIMENSIONS - Inches (mm)

9 GAL. SYSTEMS



14 GAL. SYSTEMS



DIMENSIONS FOR STEEL RECEIVERS AVAILABLE ON REQUEST.

CRSP-98

| 1 - MOTORS (All 56J Frame) | | |
|---|-------------|-------|
| RPM & PHASE | PART NUMBER | HP |
| OPEN DRIP PROOF | | |
| 3500 RPM Single Phase (ODP) | 09581 | 1/3 |
| | 09582 | 1/2 |
| | 09625 | 3/4 |
| | 09650 | 1 |
| | 09675 | 1-1/2 |
| | 09677 | 2 |
| | 09737 | 3 |
| 3500 RPM Three Phase (ODP) | 09661 | 1/3 |
| | 09662 | 1/2 |
| | 09652 | 3/4 |
| | 09653 | 1 |
| | 09676 | 1-1/2 |
| | 09678 | 2 |
| | 09738 | 3 |
| TOTALLY ENCLOSED | | |
| 3500 RPM Single Phase (TENV / TEFC) | 09688 | 1/3 |
| | 09690 | 3/4 |
| | 09692 | 1 |
| | 09774 | 1-1/2 |
| | 09827 | 2 |
| 3500 RPM Three Phase (TENV / TEFC) | 09689 | 1/2 |
| | 09691 | 3/4 |
| | 09693 | 1 |
| | 09758 | 1-1/2 |
| | 21697 | 3 |
| EXPLOSION PROOF | | |
| 3500 RPM Single Phase (XP) | 20655 | 1/2 |
| | 20513 | 3/4 |
| | 20515 | 1 |
| | 20519 | 2 |
| 3500 RPM Three Phase (XP) | 20656 | 1/2 |
| | 20514 | 3/4 |
| | 20516 | 1 |
| | 20518 | 1-1/2 |
| | 09909 | 3 |



SERIES: GV CONDENSATE RETURN SYSTEMS & GV6 FLANGED PUMPS

File: GV.dwg

PumpAgents.com - Click here for Pricing/Ordering

| SYMBOL NUMBER | PART NUMBER | QTY | DESCRIPTION |
|---------------|-------------|-----|-----------------------------------|
| 2 | 08105 | 1 | Slinger Washer |
| 3 | 08514 | 1 | Mechanical Seal - Buna N |
| 4 | 09657-1 | 1 | Adapter |
| 5 | 22021 | 1 | O-ring Gasket - Buna N |
| 6 | 22144 | 1 | Receiver Tank - 9 gal. CI |
| | 22145 | 1 | Receiver Tank - 14 gal. CI |
| | 22146 | 1 | Receiver Tank - 23 gal. CI |
| | 22339 | 1 | Receiver Tank - 23 gal. Steel |
| | 22147 | 1 | Receiver Tank - 36 gal. CI |
| | 22170 | 1 | Receiver Tank - 36 gal. Steel |
| | 22855 | 1 | Receiver Tank - 52 gal. Steel |
| | 22856 | 1 | Receiver Tank - 75 gal. Steel |
| | 22857 | 1 | Receiver Tank - 120 gal. Steel |
| 7 | 15-13-6 | A/R | Nut |
| 8 | 22234 | A/R | Washer |
| 9 | 09680-3.22 | 1 | Impeller - 3GV6/33GV6 |
| | 09680-3.63 | 1 | Impeller - 5GV6/35GV6 |
| | 09680-3.88 | 1 | Impeller - 7GV6/37GV6 |
| | 09680-4.25 | 1 | Impeller - 10GV6/310GV6 |
| | 09680-4.63 | 1 | Impeller - 15GV6/315GV6 |
| | 09680-4.88 | 1 | Impeller - 20GV6/320GV6 |
| | 09680-5.66 | 1 | Impeller - 30GV6/330GV6 |
| 10 | 22016 | 1 | Casing Assy. (Includes Symbol 11) |
| 11 | 22019 | 1 | Wear Ring |
| 12 | 21182 | 1 | Screw, Imp. Lock - 3PH Only |
| 13 | 21181-C | 1 | Washer - 3PH |
| 14 | 03122 | 4 | Cap Screw |
| 15 | 04235 | A/R | Cap Screw |

| SYMBOL NUMBER | PART NUMBER | QTY | DESCRIPTION |
|---------------|-------------|-----|--------------------------------------|
| 16 | 22072 | 1 | Cover |
| 17 | 22018 | A/R | Gasket, Pump to Tank |
| 18 | 04177 | 1 | Gasket - 23 & 36 Gal. Tanks |
| 19 | 22161 | 1 | Cover - 23 & 36 Gal. Tanks |
| 20 | 01609-A | 6 | Washer - 23 & 36 Gal. Tanks |
| 21 | 22167 | 1 | Float Switch - Simplex |
| | 22166 | 1 | Mech. Alternator - Duplex |
| | 22264 | 1 | Mech. Alternator - Duplex XP |
| | 22266 | 1 | Float Switch - XP Simplex |
| | 22265 | 1 | Float Switch - Watertight Simplex |
| | 22263 | 1 | Mech. Alternator - Watertight Duplex |
| 22 | 02313 | | Connector, Conduit - Straight |
| | 01622 | A/R | Connector, Conduit 90° |
| | 01623 | | Connector, Conduit - 45° |
| 23 | S6518 | A/R | Conduit (Specify Length) |
| 24 | 22043 | A/R | Tube |
| 25 | 21222 | A/R | Connector |
| Not Shown | 22334 | 1 | Float |
| Not Shown | B8283-1-E4 | 1 | Plate, Switch - 20 Gal. Tanks |
| Not Shown | B8285-1-L13 | 1 | Gasket, Plate - 20 Gal. Tanks |
| Not Shown | A5670-E4 | A/R | Flange - 20 Gal. Tanks |
| Not Shown | A6579-L6 | 1 | Gasket, Flange - 20 Gal. Tanks |

For technical advice or service please take your pump into your local pump service center.
To order pump or parts or for pricing please go to the following links :

[Burks Pumps Home >>](#)

[Burks Pumps stock list >>](#)