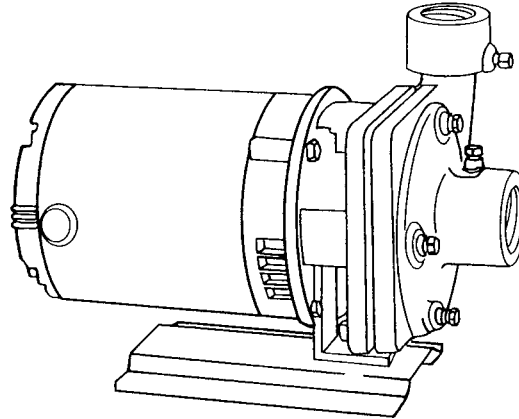




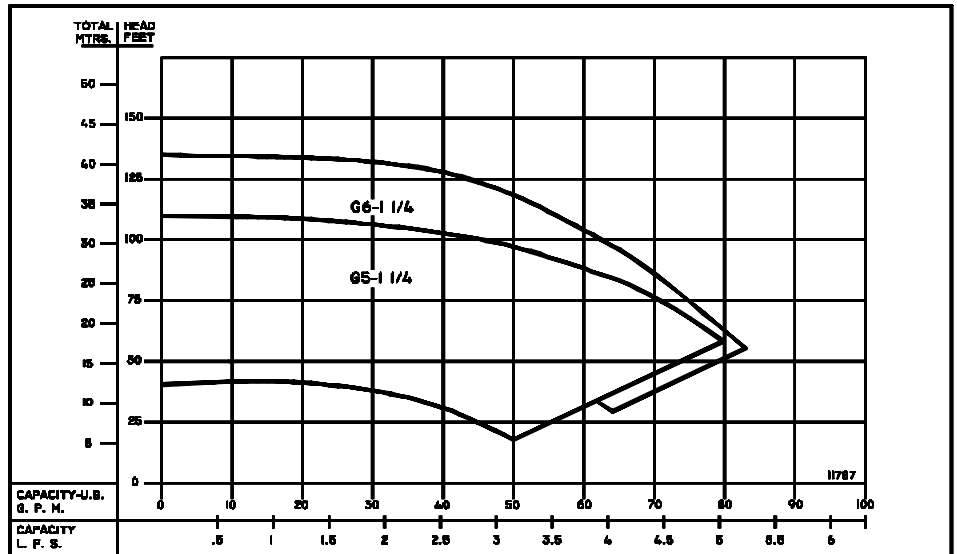
SERIES **G5-1-1/4**
G6-1-1/4

| | |
|----------|-------|
| SECTION | 2B |
| PAGE | 1 |
| ISSUED | 2/03 |
| REPLACES | 12/01 |

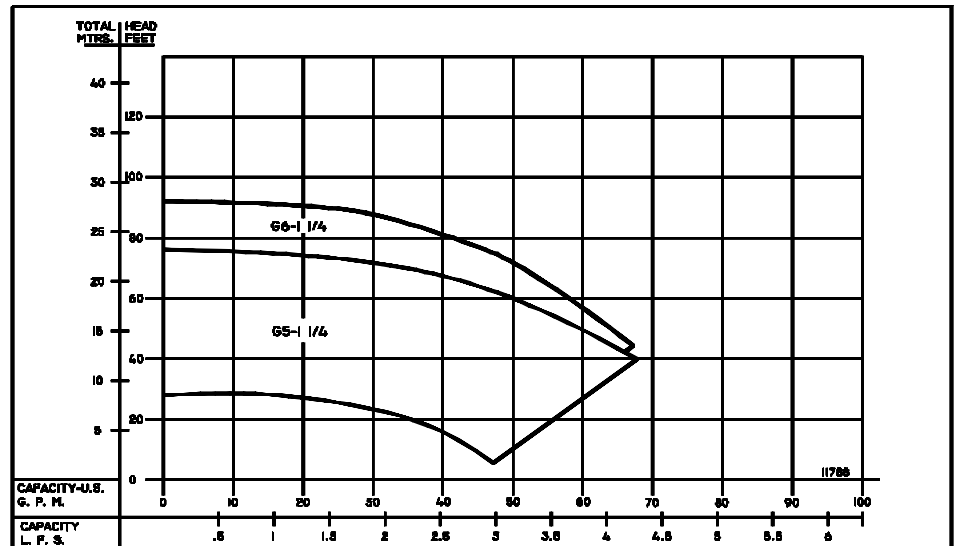
CLOSED COUPLED CENTRIFUGAL PUMPS



3500RPM - 60Hz.
 CAPACITIES TO 80GPM (5LPS)
 HEADS TO 135 FEET (41M)



2900RPM - 50Hz.
 CAPACITIES TO 68 GPM (4.3LPS)
 HEADS TO 92 FEET (28M)



PUMPS & SYSTEMS

| | |
|----------|-------|
| SECTION | 2B |
| PAGE | 2 |
| ISSUED | 2/03 |
| REPLACES | 12/01 |



FEATURES

- FOUR POSITION CASING**
 Discharge can be located in any of four positions. Casing is close grain iron of 30,000 psi minimum tensile strength. Back pull-out design eliminates the need to disturb piping should the pump ever require service - the casing stays in the line.
- REPLACEABLE CASING WEAR RING**
 Prevents wear on casing and is easy to replace.
- EASY TO SERVICE**
 Taking out only 4 cap screws allows removal of pumping assembly without disturbing piping.
- ENCLOSED BRONZE IMPELLER**
 Enclosed bronze impeller is of latest hydraulic design for maximum efficiency. It is balanced for vibration free operation and threaded onto stainless steel motor shaft.
- MECHANICAL SHAFT SEAL**
 Standard self-adjusting shaft seal for temperatures to 225°F (107°C) and pressures to 150 psi (1034kpa). Ceramic seat and carbon seal face for long trouble-free service. Special seals are available for higher temperatures and fluids other than water.
- MOTORS**
 Standard pump motors have open drip proof construction and are rated with jet pump service factors for continuous duty operation. Motors are 56 frame size with NEMA standard mounting flange, one piece threaded stainless steel shaft and ball/ball bearing construction.
- FACTORY TESTED**
 After careful assembly and inspection, **EVERY** pump is factory tested and will meet Hydraulic Institute standards.

| MAXIMUM OPERATING CONDITIONS | |
|---|-------------------|
| TEMPERATURE (For Standard Buna-N Seal) | 225°F (107°C) |
| INLET PRESSURE | 100 PSI (690 kpa) |
| CASING WORKING PRESSURE | 200 PSI (1379kpa) |

MOTOR INFORMATION

60 Hz - 3500 RPM - ODP

Single Phase: 1/3 thru 2 Hp. - 115/230 Volt
3 Hp. - 230 Volt only

Three Phase: 1/3 thru 3 Hp. - 208-230/460 Volt
50 Hz - 2900 RPM - ODP

Single Phase: 110/220 Volt

Three Phase: 380 Volt

Voltages may differ from some suppliers. Consult factory.
Overload Protection: All single phase ODP and Totally Enclosed motors have built-in overload protection. All three phase motors and all explosion proof motors must be installed with a magnetic starter which provides full 3-leg protection. Failure to use correct starter and overloads will void motor warranty.

JACKETED SEAL CAVITY FOR TEMPERATURES TO 500°F (260°C).

Series G5-1-1/4 & G6-1-1/4 Pumps are available in a Jacketed Seal Cavity design for pumping hot oil, hot water and heat transfer fluids in common use in high temperature heating or cooling applications. This feature greatly extends seal life in high temperature applications. To order, add suffix "MJ" to pump catalog number for temperatures below 400°F (204°C) and add suffix "MJK" to pump catalog number for temperatures over 400°F (204°C). Example: G5-1-1/4MJ. See Section on High Temperature Pumps for more information.

MATERIALS OF CONSTRUCTION

| PART | ALL IRON | BRONZE FITTED | *Stainless Steel | ALL BRONZE |
|------------------|-----------------------------------|-----------------------------------|-----------------------------------|-----------------------------------|
| Adapter | Cast Iron | Cast Iron | #316 Stainless | Bronze |
| Casing | Cast Iron | Cast Iron | #316 Stainless | Bronze |
| Casing Wear Ring | Steel | Bronze | #316 Stainless | Bronze |
| Shaft | #303 Stainless | #303 Stainless | #303 Stainless | #303 Stainless |
| Impeller | Cast Iron | Bronze | #316 Stainless | Bronze |
| Shaft Seal | Carbon-Ceramic S. Steel-Buna-N | Carbon-Ceramic S. Steel-Buna-N | Carbon-Ceramic S. Steel-Buna-N | Carbon-Ceramic S. Steel-Buna-N |

*G5-1-1/4 ONLY

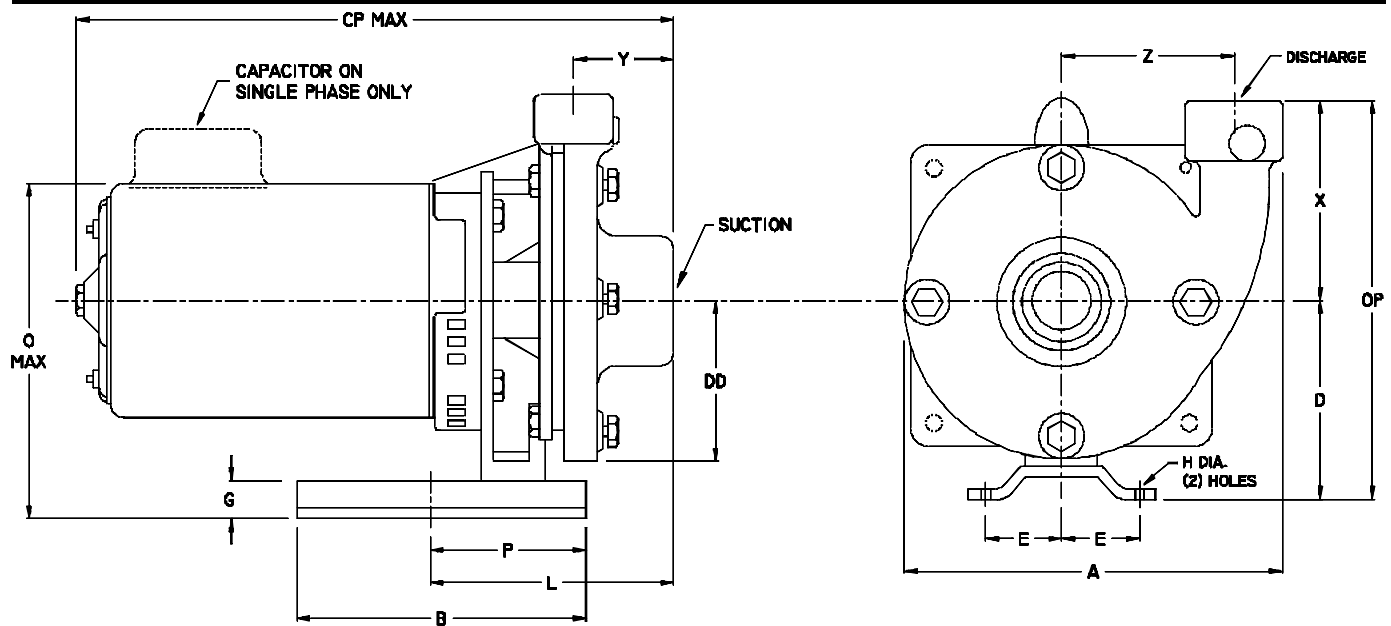


PUMPS & SYSTEMS

PumpAgents.com - buy pumps and parts online

| | |
|----------|-------|
| SECTION | 2B |
| PAGE | 3 |
| ISSUED | 2/03 |
| REPLACES | 12/01 |

DIMENSIONS



| DIMENSIONS IN INCHES | | | | | | | | | | | | | | | | | | |
|----------------------------------|------------------|-------------------------------|-------------------------------|-------------------------------|---|--------------------------------|-------------------------------|-------------------------------|---------------------------------|-----|------|-------------------------------|--------------------------------|-------------------------------|--------------------------------|---------------------------------|-------------------------------|-------------------------------|
| CATALOG NUMBER | MOTOR FRAME SIZE | DISC NPT | SUCT. NPT | A | B | CP | D | DD | E | G | H | L | O | OP | P | X | Y | Z |
| G5-1 ¹ / ₄ | 56 | 1 ¹ / ₄ | 1 ¹ / ₂ | 7 ³ / ₄ | 8 | 15 ³ / ₄ | 4 ³ / ₄ | 3 ¹ / ₄ | 1 ¹⁵ / ₁₆ | 3/4 | 9/16 | 6 ⁷ / ₈ | 8 ⁹ / ₁₆ | 9 ³ / ₈ | 4 ⁵ / ₁₆ | 4 ⁷ / ₁₆ | 2 ³ / ₈ | 3 ³ / ₈ |
| G6-1 ¹ / ₄ | 56 | 1 ¹ / ₄ | 1 ¹ / ₂ | 8 ¹ / ₂ | 8 | 15 ⁷ / ₈ | 5 ¹ / ₄ | 3 ³ / ₄ | 1 ¹⁵ / ₁₆ | 3/4 | 9/16 | 7 ¹ / ₄ | 9 ¹ / ₁₆ | 10 | 4 ⁵ / ₁₆ | 4 ¹¹ / ₁₆ | 2 ¹ / ₂ | 3 ³ / ₄ |

| DIMENSIONS IN MILLIMETERS | | | | | | | | | | | | | | | | | | |
|----------------------------------|------------------|-------------------------------|-------------------------------|-----|-----|-----|-----|----|----|----|----|-----|-----|-----|-----|-----|----|----|
| CATALOG NUMBER | MOTOR FRAME SIZE | DISC NPT Inch | SUCT. NPT Inch | A | B | CP | D | DD | E | G | H | L | O | OP | P | X | Y | Z |
| G5-1 ¹ / ₄ | 56 | 1 ¹ / ₄ | 1 ¹ / ₂ | 197 | 203 | 400 | 121 | 83 | 49 | 19 | 14 | 175 | 217 | 238 | 109 | 113 | 60 | 86 |
| G6-1 ¹ / ₄ | 56 | 1 ¹ / ₄ | 1 ¹ / ₂ | 216 | 203 | 403 | 133 | 95 | 49 | 19 | 14 | 184 | 230 | 254 | 109 | 119 | 64 | 95 |

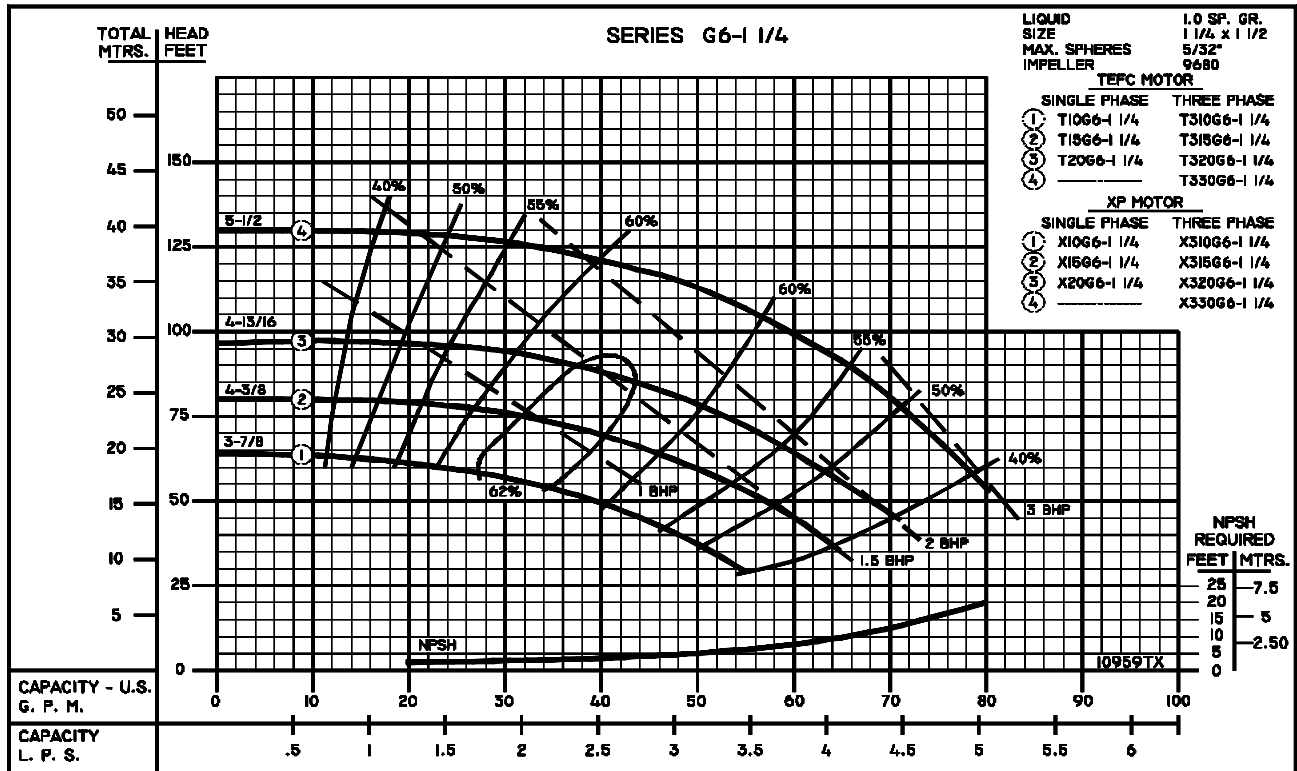
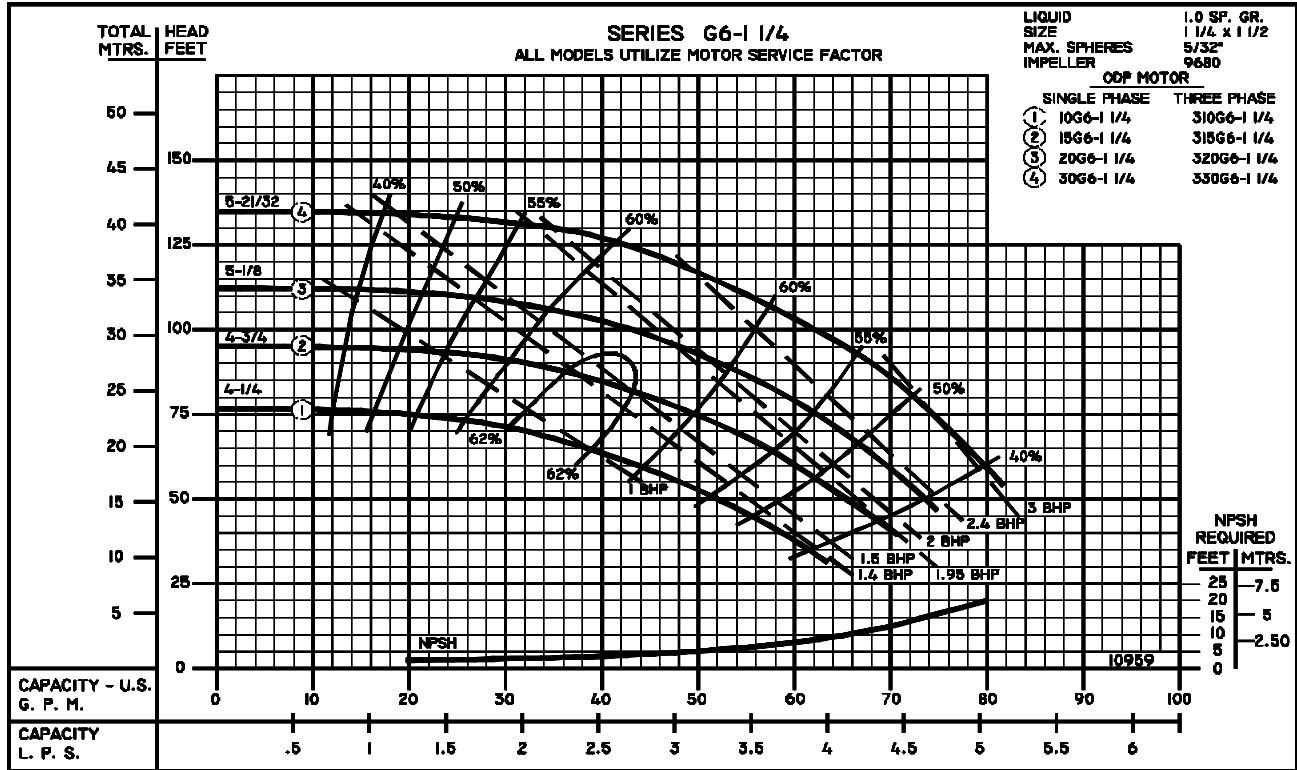
DIMENSIONS SHOWN ABOVE ARE APPROXIMATE MAXIMUM DIMENSIONS FOR STANDARD PUMPS EQUIPPED WITH ODP MOTORS.



60HZ
PERFORMANCE CURVE

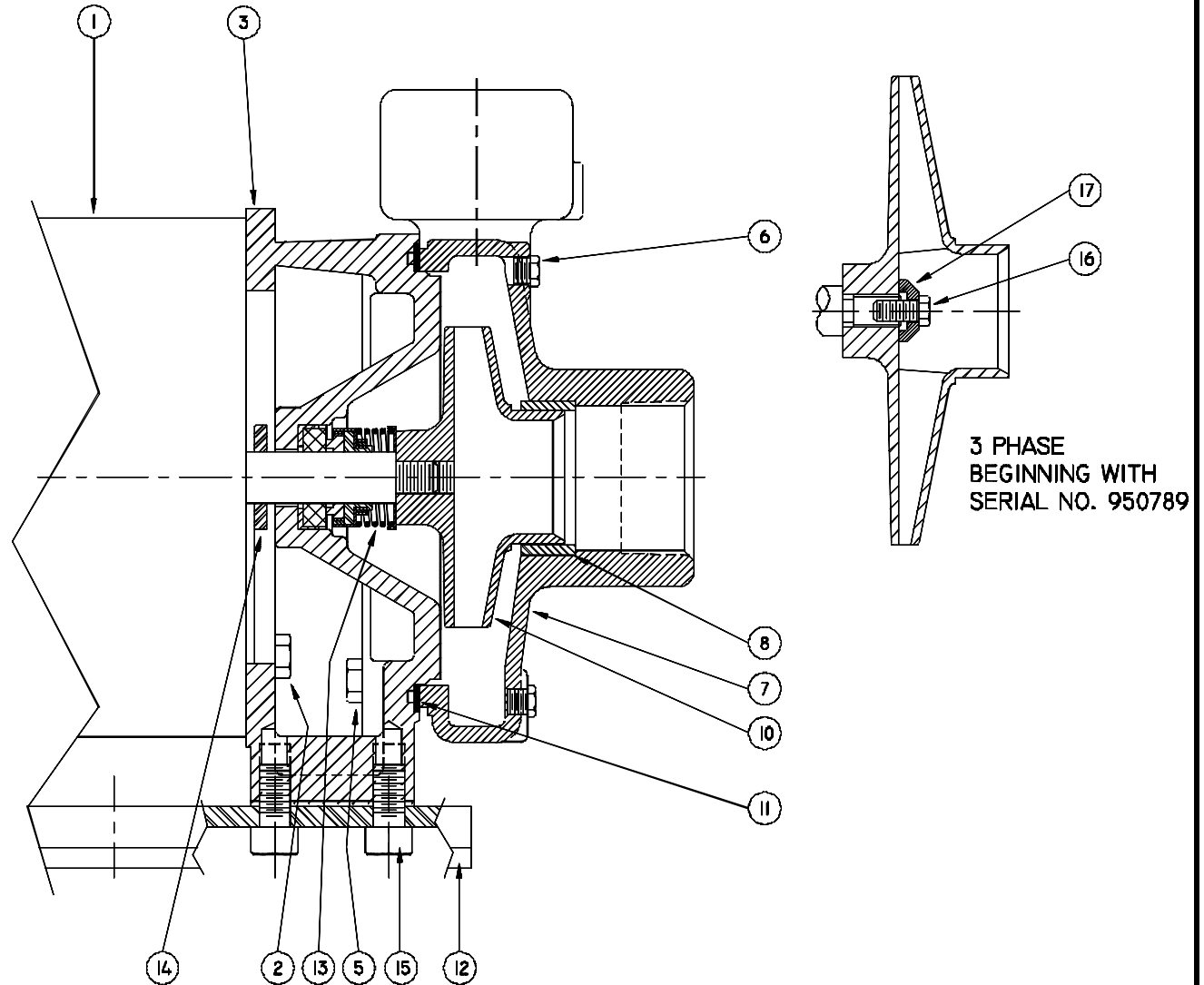
| | |
|----------|-------|
| SECTION | 2B |
| PAGE | 5 |
| ISSUED | 2/03 |
| REPLACES | 12/01 |

END SUCTION CENTRIFUGAL PUMPS



CCCP-20

| 1 - MOTORS (All 56J Frame) | | |
|---|-------------|-------|
| RPM & PHASE | PART NUMBER | HP |
| OPEN DRIP PROOF | | |
| 3500 RPM Single Phase (ODP) | 09581 | 1/3 |
| | 09582 | 1/2 |
| | 09625 | 3/4 |
| | 09650 | 1 |
| | 09675 | 1-1/2 |
| | 09677 | 2 |
| | 09737 | 3 |
| 3500 RPM Three Phase (ODP) | 09661 | 1/3 |
| | 09662 | 1/2 |
| | 09652 | 3/4 |
| | 09653 | 1 |
| | 09676 | 1-1/2 |
| | 09678 | 2 |
| | 09738 | 3 |
| TOTALLY ENCLOSED | | |
| 3500 RPM Single Phase (TENV / TEFC) | 09688 | 1/3 |
| | 09690 | 3/4 |
| | 09692 | 1 |
| | 09774 | 1-1/2 |
| | 09827 | 2 |
| 3500 RPM Three Phase (TENV / TEFC) | 09689 | 1/2 |
| | 09691 | 3/4 |
| | 09693 | 1 |
| | 09758 | 1-1/2 |
| | 09829 | 2 |
| | 21697 | 3 |
| EXPLOSION PROOF | | |
| 3500 RPM Single Phase (XP) | 20655 | 1/2 |
| | 20513 | 3/4 |
| | 20515 | 1 |
| | 20517 | 1-1/2 |
| | 20519 | 2 |
| 3500 RPM Three Phase (XP) | 20656 | 1/2 |
| | 20514 | 3/4 |
| | 20516 | 1 |
| | 20518 | 1-1/2 |
| | 20520 | 2 |
| | 09909 | 3 |



SERIES: G5-1-1/4 & G6-1-1/4 CENTRIFUGAL PUMPS

File: G5-125.dwg

| SYMBOL NUMBER | PART NUMBER | QUANTITY | DESCRIPTION |
|--|------------------------|------------------------|--------------------------------------|
| 2 | 03122 | 4 | Cap Screw |
| 3 | 09630 | 1 | Adapter - G5-1-1/4 Series |
| | 09630-C | 1 | Adapter w/Flush Tap- G5-1-1/4 Series |
| | 09657 | 1 | Adapter - G6-1-1/4 Series |
| | 09657-2 | 1 | Adapter w/Flush Tap- G6-1-1/4 Series |
| 5 | 04235 | 4 | Cap Screw, 3/8" x 1-1/4" Lg |
| 6 | 01691-A | 5 | Pipe Plug, 1/8" Brass |
| ** | 22148 | 1 | Casing Assy. - G5-1-1/4 Series |
| | 22149 | 1 | Casing Assy. - G6-1-1/4 Series |
| 8 | 09632 | 1 | Wear Ring |
| 10 | 09680-3.25 | 1 | Impeller - 3G5-1-1/4 |
| | 09680-3.63 | 1 | Impeller - 5G5-1-1/4 |
| | 09680-4.00 | 1 | Impeller - 7G5-1-1/4 |
| | 09680-4.25 | 1 | Impeller - 10G5-1-1/4 |
| | 09680-4.75 | 1 | Impeller - 15G5-1-1/4 |
| | 09680-4.97 | 1 | Impeller - 20G5-1-1/4 |
| | 09680-4.25 | 1 | Impeller - 10G6-1-1/4 |
| | 09680-4.75 | 1 | Impeller - 15G6-1-1/4 |
| | 09680-5.13 | 1 | Impeller - 20G6-1-1/4 |
| | 09680-5.66 | 1 | Impeller - 30G6-1-1/4 |
| <small>Stock pump Catalog Numbers shown are for 1 phase units. Use same impellers for 3 phase units.</small> | | | |
| 11 | 9634 | 1 | Flat Gasket - G5-1-1/4 Series |
| | 008507 | 1 | Flat Gasket - G6-1-1/4 Series |
| | G5-1-1/4 Series | | |
| | 21333 | 1 | O-Ring Gasket - Buna N (Std) |
| | 21546 | 1 | O-Ring Gasket - Viton |
| | 22132 | 1 | O-Ring Gasket - EPT* |
| | 22058 | 1 | O-Ring Gasket - Teflon |
| | G6-1-1/4 Series | | |
| | 22021 | 1 | O-Ring Gasket - Buna N (Std) |
| | 22020 | 1 | O-Ring Gasket - Viton |
| | 22133 | 1 | O-Ring Gasket - EPT* |
| 22102 | 1 | O-Ring Gasket - Teflon | |
| 12 | 08827 | 1 | Base |
| 13 | 08514 | 1 | Mechanical Seal - Buna N (Std) |
| | 09762 | 1 | Mechanical Seal - Viton |
| | 20764-C | 1 | Mechanical Seal - EPT* |
| 14 | 08105 | 1 | Slinger Washer |
| 15 | 01928 | 2 | Cap Screw & 3503 Washer |
| 16 | 21182 | 1 | Screw |
| 17 | 21181-C | 1 | Washer - Bronze |

| SYMBOL NUMBER | PART NUMBER | QUANTITY | DESCRIPTION |
|---|--|----------|----------------------------|
| DIFFERING PARTS FOR ALL BRONZE CONSTRUCTION | | | |
| 2 | 03122-A | 4 | Cap Screw |
| 3 | 09630-A | 1 | Adapter-Bronze -G5-1/14 |
| | 09657-A | 1 | Adapter-Bronze -G6-1-1/4 |
| 5 | 03288 | 4 | Cap Screw |
| ** | 22148-A | 1 | Casing Assy. - G5-1-1/4AB |
| | 22149-A | 1 | Casing Assy. - G6-1-1/4AB |
| 15 | 03289 | 2 | Cap Screw & 20056 Washer |
| DIFFERING PARTS FOR ALL IRON CONSTRUCTION | | | |
| 6 | 00158 | 5 | Pipe Plug 1/8" |
| 7 | 22148-B | 1 | Casing Assy. - G5-1-1/4AI |
| | 22149-B | 1 | Casing Assy. - G6-1-1/4AI |
| 8 | 09632-C | 1 | Wear Ring |
| 10 | 09680-C-3.25 | 1 | Impeller - 3G5-1-1/4AI |
| | 09680-C-3.63 | 1 | Impeller - 5G5-1-1/4AI |
| | 09680-C-4.00 | 1 | Impeller - 7G5-1-1/4AI |
| | 09680-C-4.25 | 1 | Impeller - 10G5-1-1/4AI |
| | 09680-C-4.75 | 1 | Impeller - 15G5-1-1/4AI |
| | 09680-C-4.97 | 1 | Impeller - 20G5-1-1/4AI |
| | 09680-C-4.25 | 1 | Impeller - 10G6-1-1/4AI |
| | 09680-C-4.75 | 1 | Impeller - 15G6-1-1/4AI |
| | 09680-C-5.13 | 1 | Impeller - 20G6-1-1/4AI |
| | 09680-C-5.66 | 1 | Impeller - 30G6-1-1/4AI |
| | <small>Stock pump Catalog Numbers shown are for 1 phase units. Use same impellers for 3 phase units.</small> | | |
| 17 | 21181-A | 1 | Washer - S.S. |
| DIFFERING PARTS FOR G5-1-1/4 S.S. CONSTRUCTION | | | |
| 3 | 09630-B | 1 | Adapter |
| 5 | 04235-A | 4 | Cap Screw S.S. |
| 6 | 01691-B | 5 | Pipe Plug - 1/8" S.S. |
| 7 | 09633-B | 1 | Casing Assy. |
| 10 | 09680-B-3.25 | 1 | Impeller - 3G5-1-1/4 S.S. |
| | 09680-B-3.63 | 1 | Impeller - 5G5-1-1/4 S.S. |
| | 09680-B-4.00 | 1 | Impeller - 7G5-1-1/4 S.S. |
| | 09680-B-4.25 | 1 | Impeller - 10G5-1-1/4 S.S. |
| | 09680-B-4.75 | 1 | Impeller - 15G5-1-1/4 S.S. |
| | 09680-B-4.97 | 1 | Impeller - 20G5-1-1/4 S.S. |
| 11 | 21021 | 1 | O-Ring Viton |
| | 23023 | 1 | O-Ring Buna N (Std) |
| | 23024 | 1 | O-Ring EPT |
| 17 | 21181-A | 1 | Washer - S.S. |

** Includes Symbol 6

CCCP-21

SERIES: G5-1-1/4 & G6-1-1/4

* For hot water or caustic service.

** Includes Symbol 6 & 8

+ G5-1-1/4 and G6-1-1/4 Series pumps have been manufactured with either a flat or O ring type gasket. Determine which type is required before ordering. When in doubt, order flat gasket.

For technical advice or service please take your pump into your local pump service center.
To order pump or parts or for pricing please go to the following links :

[Burks Pumps Home >>](#)

[Burks Pumps stock list >>](#)