

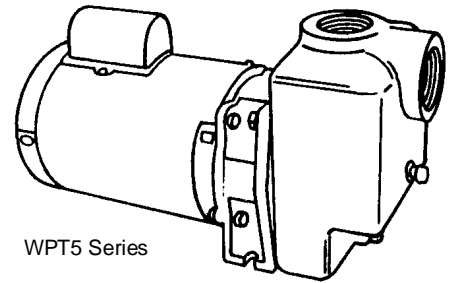


SERIES: WPT

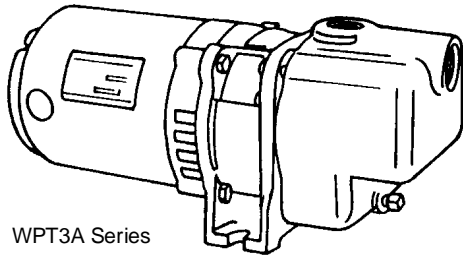
SECTION	4C
PAGE	5
ISSUED	2/03
REPLACES	12/01

SELF-PRIMING CENTRIFUGAL PUMPS

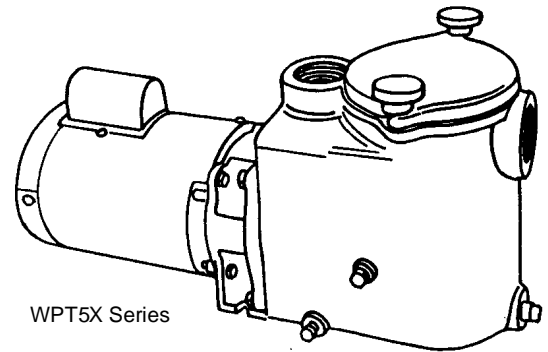
For Perchloroethylene
and
Other 1.62 S.G. Fluids



WPT5 Series



WPT3A Series



WPT5X Series

60 HZ - PERFORMANCE AND SELECTION 1.62 FLUID S.G. - 3500 RPM																	
**Catalog number	**Catalog No. with strainer	HP	TAPPINGS		GPM CAPACITY AT HEAD SHOWN												
			SUCT.	DISCH.	PSI FEET	10	15	20	25	30	35	40	45	50	55	60	65
*A3WPT3A	Not Available	1/2	1"	1"		41	37	29	15	---	---	---	---	---	---	---	---
*3WPT3A	Not Available	1/3	1"	1"		41	37	29	15	---	---	---	---	---	---	---	---
5WPT5	5WPT5X	1/2	2"	2"		38	36	32	26	19	10	---	---	---	---	---	---
7WPT5	7WPT5X	3/4	2"	2"		50	47	43	38	32	26	18	10	---	---	---	---
10WPT5	10WPT5X	1	2"	2"		62	58	55	50	43	36	28	20	10	---	---	---
15WPT5	15WPT5X	1-1/2	2"	2"		73	71	68	64	58	53	44	34	23	---	---	---
20WPT5	20WPT5X	2	2"	2"		82	80	78	74	70	66	57	48	37	12	9	---
30WPT5	30WPT5X	3	2"	2"		94	92	90	90	87	84	80	74	66	24	40	20
30WPT5A	30WPT5AX	3	2"	2"		144	140	136	127	115	100	80	44	---	55	---	---

**Catalog number	**Catalog No. with strainer	HP	TAPPINGS		L.P.S. CAPACITY AT HEAD SHOWN												
			SUCT.	DISCH.	KPA METERS	69 4.2	103 6.4	137 8.5	172 10.9	206 13.1	241 15.2	275 17.3	310 19.5	344 21.6	379 23.7	413 26.2	448 28.3
*A3WPT3A	Not Available	1/2	1"	1"		2.5	2.3	1.8	0.9	---	---	---	---	---	---	---	---
*3WPT3A	Not Available	1/3	1"	1"		2.5	2.3	1.8	0.9	---	---	---	---	---	---	---	---
5WPT5	5WPT5X	1/2	2"	2"		2.3	2.2	2.0	1.6	1.1	0.6	---	---	---	---	---	---
7WPT5	7WPT5X	3/4	2"	2"		3.1	2.9	2.7	2.3	2.0	1.6	1.1	0.6	---	---	---	---
10WPT5	10WPT5X	1	2"	2"		3.9	3.6	3.4	3.1	2.7	2.2	1.7	1.2	0.6	---	---	---
15WPT5	15WPT5X	1-1/2	2"	2"		4.6	4.4	4.2	4.0	3.6	3.3	2.7	2.1	1.4	---	---	---
20WPT5	20WPT5X	2	2"	2"		5.1	5.0	4.9	4.6	4.4	4.1	3.5	3.0	2.3	0.7	0.5	---
30WPT5	30WPT5X	3	2"	2"		5.9	5.8	5.6	5.6	5.4	5.2	5.0	4.6	4.1	1.5	2.5	1.2
30WPT5A	30WPT5AX	3	2"	2"		9.0	8.8	8.5	8.0	7.2	6.3	5.0	2.7	---	3.4	---	---

** Catalog numbers are for units with single phase motors. For three phase, add prefix, "3". Example 35WPT5X.

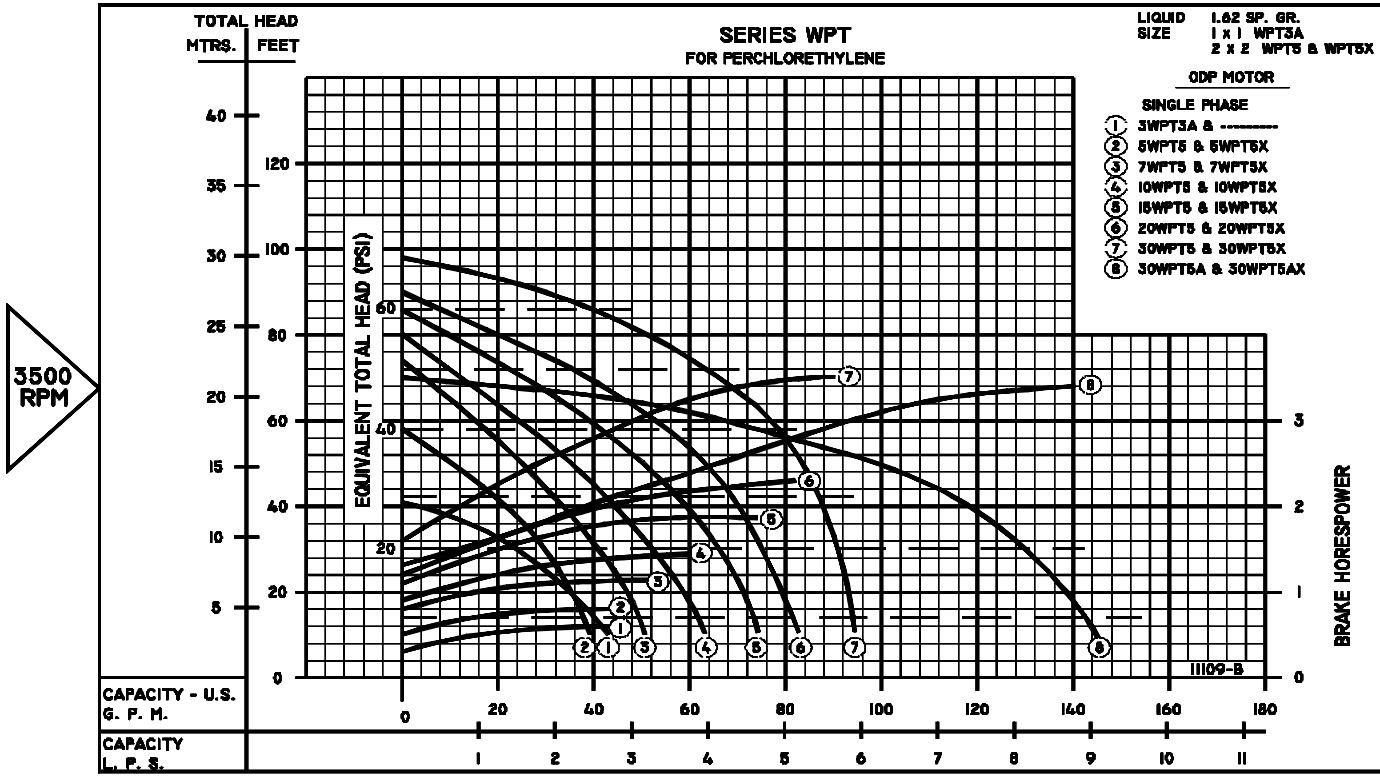
* Maximum suction lift on WPT3A - 7 ft.



SECTION	4C
PAGE	6
ISSUED	2/03
REPLACES	12/01



END SUCTION CENTRIFUGAL PUMPS



FEATURES

- Compact, Close-Coupled Design
- Rugged Bronze-Fitted Cast Iron Construction
- Leakproof Mechanical Shaft Seal
- Non-Clogging, Bronze Semi-Open Impeller
- Stainless Steel Shaft
- Back Pull-Out Design For Easy Servicing
- Available With or Without Built-In Basket Type Strainer
- Self-Priming, Once Case is Filled With Fluid
- Diaphragms, Flappers or Check Valves Are Not Required In Pump Suction Piping. But Are Recommended
- **EVERY** pump is factory tested and will meet Hydraulic Institute standards.

MOTOR INFORMATION

WPT3A Series have NEMA Jet Pump Motors. WPT5 & WPT5X Series have rugged Swimming Pool type motors with oversize ball/ball bearing construction.

All motors have open-drip proof construction and are rated with standard NEMA Jet Pump service factors for continuous duty operation at all ratings shown.

Voltages may differ from some suppliers. Consult factory.

Overload Protection: All single phase motors have built-in thermal overload protection. All three phase motors must be installed with a magnetic starter which provides full 3-leg protection. Failure to use correct starter and overloads will void motor warranty.

All Single Phase Open Drip Proof Motors Are U.L. Recognized.

RATINGS

A3WPT3A-1/3 HP, Single Phase, 115V, 60Hz, 3500RPM, ODP, Split Phase.
 3WPT3A-1/3 HP, Single Phase, 115/230V, 60Hz, 3500RPM, ODP, Capacitor Start.
 33WPT3A-1/3 HP, TThree Phase, 230/460V, 60Hz, 3500RPM, ODP

WPT5 & WPT5X Series:

Single Phase: 1/2 thru 2HP, 115/230V, 60HZ, 3500RPM, ODP, Capacitor Start.

3 HP is 230V only.

Three Phase: 1/2 thru 3HP, 230/460V, 60HZ, 3500RPM, ODP.

MATERIALS OF CONSTRUCTION

PART	ALL BRONZE
Adapter	Cast Iron
Case	Cast Iron
Impeller	Bronze
Diffuser	Cast Iron
Shaft	Stainless Steel
Shaft Seal	Carbon-Ceramic-S. Steel-Buna-N
Suction Sleeve	Viton
Strainer Gasket	Viton
Strainer Basket	Stainless Steel
All Plugs	Brass

MAXIMUM OPERATING CONDITIONS

TEMPERATURE (For Standard Buna-N Seal)	225°F (107°C)
INLET PRESSURE (WPT3 & WPT5)	100 PSI (690kpa)
INLET PRESSURE (WPT5X)	15 PSI (103kpa)
CASING WORKING PRESSURE (WPT3 & WPT5)	165 PSI (1137kpa)
CASING WORKING PRESSURE (WPT5X)	60 PSI (413kpa)



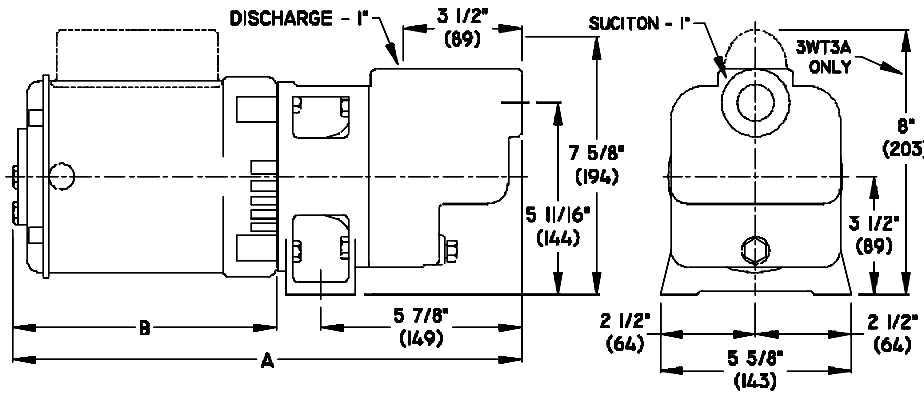
PUMPS & SYSTEMS



DIMENSIONS

SECTION	4C
PAGE	7
ISSUED	2/03
REPLACES	12/01

SERIES WPT3A

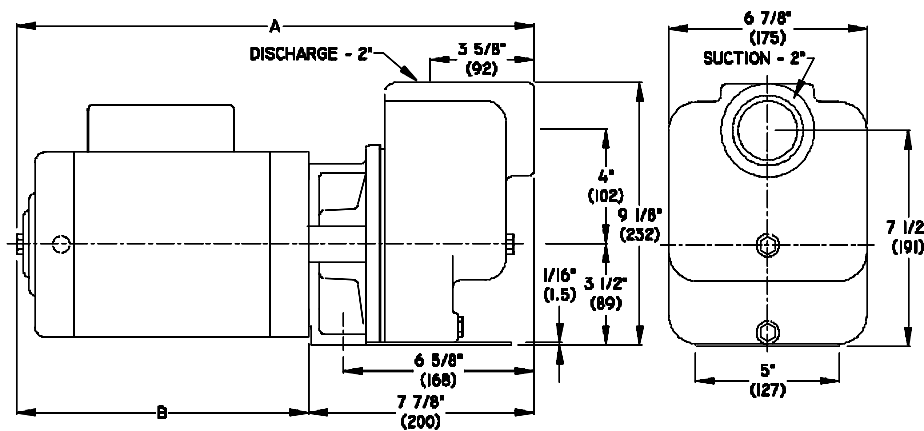


CATALOG NUMBER	DIMENSIONS IN INCHES			
	SINGLE PHASE		THREE PHASE	
	A	B	A	B
A3WPT3A	15	7 7/8	---	---
3WPT3A	15 1/2	8 7/8	---	---
33WPT3A	---	---	15 1/2	8 7/8

CATALOG NUMBER	DIMENSIONS IN MILLIMETERS			
	SINGLE PHASE		THREE PHASE	
	A	B	A	B
A3WPT3A	381	200	---	---
3WPT3A	393	212	---	---
33WPT3A	---	---	393	212

All models have 1" NPT suction and discharge.

SERIES WPT5

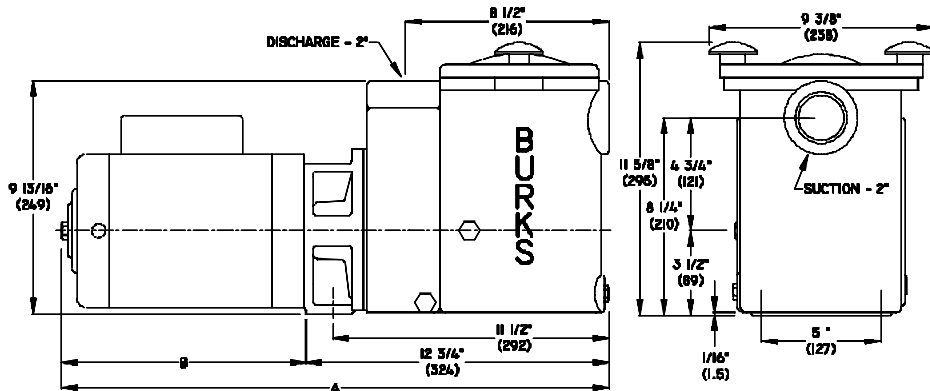


CATALOG NUMBER	DIMENSIONS IN INCHES			
	SINGLE PHASE		THREE PHASE	
	A	B	A	B
5WPT5	15 7/8	8	15 5/8	7 3/4
7WPT5	16 7/8	9	16 7/8	9
10WPT5	17 1/4	9 3/8	16 7/8	9
15WPT5	18	10 1/8	16 7/8	9
20WPT5	18	10 1/8	17 1/4	9 3/8
30WPT5	18 1/2	10 7/8	18	10 1/8
30WPT5A	18 1/2	10 7/8	18	10 1/8

CATALOG NUMBER	DIMENSIONS IN MILLIMETERS			
	SINGLE PHASE		THREE PHASE	
	A	B	A	B
5WPT5	403	203	396	196
7WPT5	428	228	428	228
10WPT5	438	238	428	228
15WPT5	457	257	428	228
20WPT5	457	257	438	238
30WPT5	469	269	457	257
30WPT5A	469	269	457	257

All models have 2" NPT suction and discharge.

SERIES WPT5X



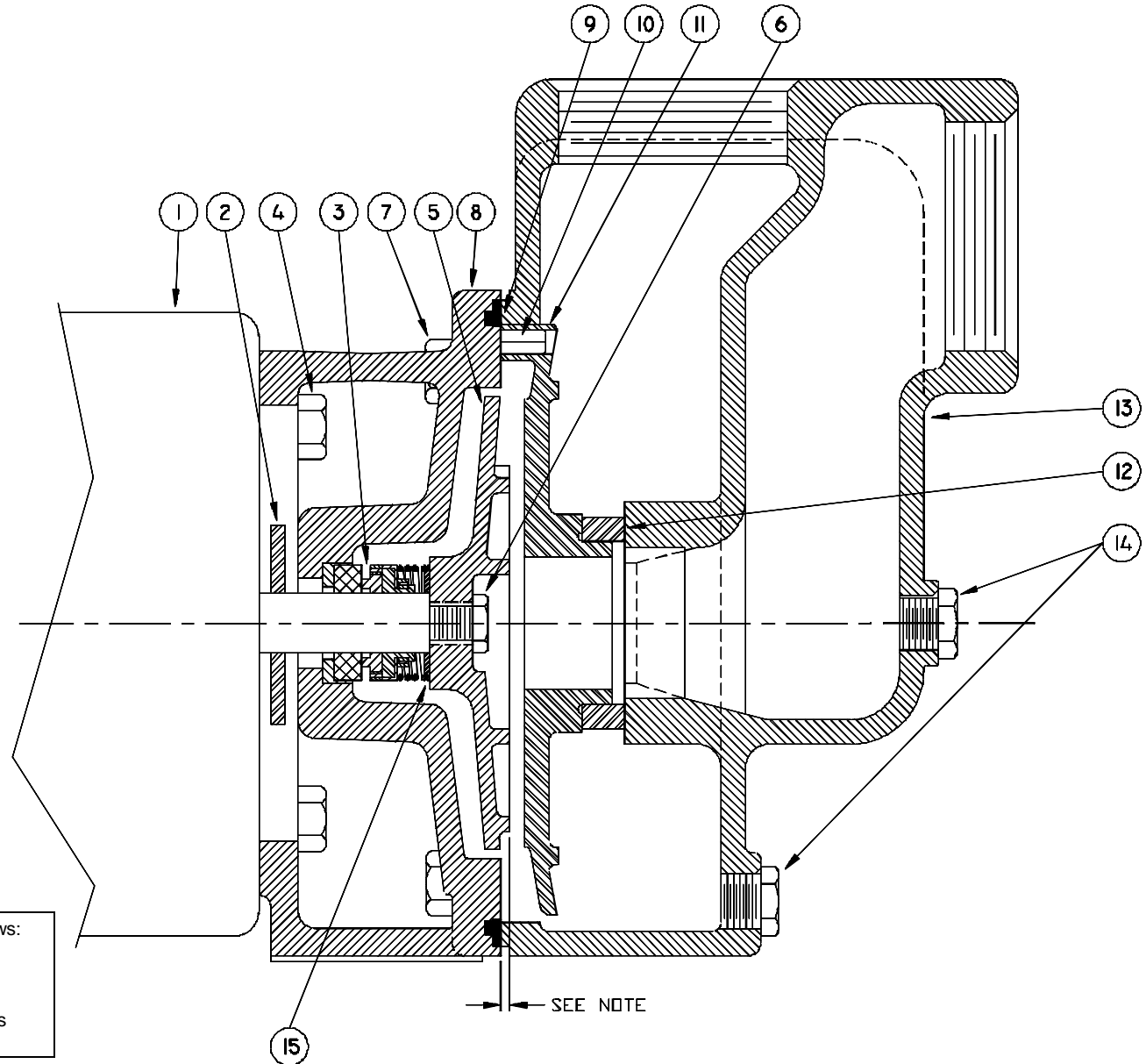
CATALOG NUMBER	DIMENSIONS IN INCHES			
	SINGLE PHASE		THREE PHASE	
	A	B	A	B
5WPT5X	20 3/4	8	20 1/2	7 3/4
7WPT5X	21 3/4	9	21 3/4	9
10WPT5X	22 1/8	9 3/8	21 3/4	9
15WPT5X	22 7/8	10 1/8	21 3/4	9
20WPT5X	22 7/8	10 1/8	22 7/8	9 3/8
30WPT5X	23 3/8	10 5/8	22 7/8	10 1/8
30WPT5AX	23 3/8	10 5/8	22 7/8	10 1/8

CATALOG NUMBER	DIMENSIONS IN MILLIMETERS			
	SINGLE PHASE		THREE PHASE	
	A	B	A	B
5WPT5X	527	203	520	196
7WPT5X	552	228	552	228
10WPT5X	561	238	552	228
15WPT5X	581	257	552	228
20WPT5X	581	257	561	238
30WPT5X	593	269	581	257
30WPT5AX	593	269	581	257

All models have 2" NPT suction and discharge.

CSPP-64

1 - MOTORS		
RPM & PHASE	PART NUMBER	HP
FOR WT5 & WPT5 (Std) SERIES - OPEN DRIP PROOF		
3500 RPM Single Phase (ODP)	20633	1/2
	20501	3/4
	20502	1
	20503	1-1/2
	20504	2
3500 RPM Three Phase (ODP)	20505	3
	20634	1/2
	20506	3/4
	20507	1
	20508	1-1/2
20509	20509	2
	20510	3
	FOR WST5 (Std) SERIES - EXPLOSION PROOF	
3500 RPM Single Phase (XP)	20655	1/2
	20513	3/4
	20515	1
	20517	1-1/2
3500 RPM Three Phase (XP)	20519	2
	20656	1/2
	20514	3/4
	20516	1
20518	20518	1-1/2
	20520	2



NOTE: Impeller must extend from face of frame as follows:
 Pumps with 20405 Diffuser - 33/64"
 20405-1 Diffuser - 9/32"
 20406 Diffuser - 15/64"
 Shim washers (Symbol 15) may be added or removed as required to obtain dimensions.

SERIES: WT5, WPT5, WST5 SELF-PRIMING CENTRIFUGAL PUMPS

File: WT5.dwg

SYMBOL NUMBER	PART NUMBER	QUANTITY	DESCRIPTION
2	08105	1	Slinger Washer
3	08514	1	Mechanical Seal -Buna N - WT & WST (Std)
	09762	1	Mechanical Seal -Viton - WPT (Std)
	20764-C	1	Mechanical Seal- EPT +
4	01928	4	Cap Screw 3/8 x 1" Lg
FOR SERIES WT5, 1 & 3 PHASE			
	20409-A-8	1	Impeller - 5WT5
	20409-A-2		Impeller - 7WT5
	20409-A-4		Impeller - 10WT5
	20409-A-1		Impeller - 15WT5
	20409-A		Impeller - 20WT5
	20408-A		Impeller - 20WT5A
FOR SERIES WPT5, 1 & 3 PHASE			
	20407-A	1	Impeller - 5WPT5
	20409-A-6		Impeller - 7WPT5
	20409-A-5		Impeller - 10WPT5
	20409-A-2		Impeller - 15WPT5
	20409-A-4		Impeller - 20WPT5
	20409-A		Impeller - 20WPT5A
	20408-A		Impeller - 30WPT5A
FOR SERIES WST5, 1 & 3 PHASE			
	20409-A-7	1	Impeller - X5WST5
	20409-A-5		Impeller - X7WST5
	20409-A-2		Impeller - X10WST5
	20409-A-1		Impeller - X15WST5
	20409-A		Impeller - X20WST5
	20408-A		Impeller - X20WST5A
6	20459	1	Impeller Lock Nut
7	04235	4	Cap Screw 3/8 x 1-1/4
8	20245	1	Adapter - 20WT5A & 320WT5A
		1	5WPT5 & 35WPT5
		1	30WPT5A & 330WPT5A
		1	X20WST5A & X320WST5A
	20245-1	1	Adapter - All except Above

SYMBOL NUMBER	PART NUMBER	QUANTITY	DESCRIPTION
	08507	1	Flat Gasket
	22021	1	O-Ring Gasket - Buna N - WT5 & WST5 (Std)
9	22020	1	O-Ring Gasket - Viton - WPT5 (Std)
	22133	1	O-Ring Gasket - EPT +
	22102	1	O-Ring Gasket - Teflon
10	09453	2	Pin
11	20405	1	Diffuser - 20WT5A & 320WT5A
			30WPT5A & 330WPT5A
			X20WST5A & X320WST5A
	20405-1	1	Diffuser - 5WPT5 & 35WPT5
	20406	1	Diffuser - All Except Above
	04231	1	Suction Sleeve - Buna N - WT5 & WST5 (Std)
12	09695	1	Suction Sleeve - Viton - WPT5 (Std)
	20285	1	Suction Sleeve - EPT +
13	20295	1	Case
14	04236	2	Plug, 1/4-18 NPT
15	20628	1	Washer, 1/16 - 7WPT5 & 37WPT5
	08542-A	As Req.	Washer, .032"
	20294	As Req.	Washer, .010"
	20497	As Req.	Washer, .005"
ALL IRON PARTS			
5		1	Impeller (Omit Letter A)
14	04236-A	2	Plug, 1/4-18 NPT

SERIES: WT5, WPT5, WST5

* Series WT5, WPT5 & WST5 pumps have been manufactured with either cast iron or bronze impellers as standard.

All replacement impellers will be bronze as listed, unless iron is specified. For iron impellers, omit the letter "A" from part number. EXAMPLE: 20409-8.

** Series WT5, WPT5 & WST5 pumps have been manufactured with either a flat or O-ring type gasket.

Determine which type is required before ordering. When in doubt, order flat gasket.

+ For hot water or caustic service.

For technical advice or service please take your pump into your local pump service center.
To order pump or parts or for pricing please go to the following links :

[Burks Pumps Home >>](#)

[Burks Pumps stock list >>](#)