

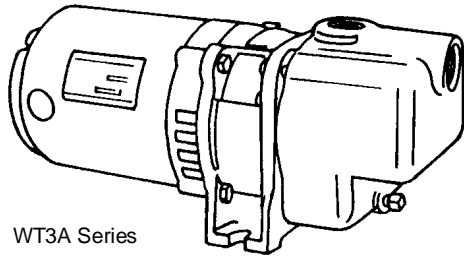


SERIES: WT

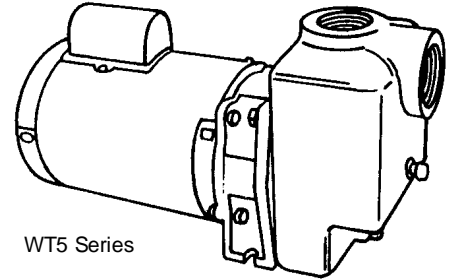
SECTION	4C
PAGE	1
ISSUED	1/04
REPLACES	2/03

SELF-PRIMING CENTRIFUGAL PUMPS

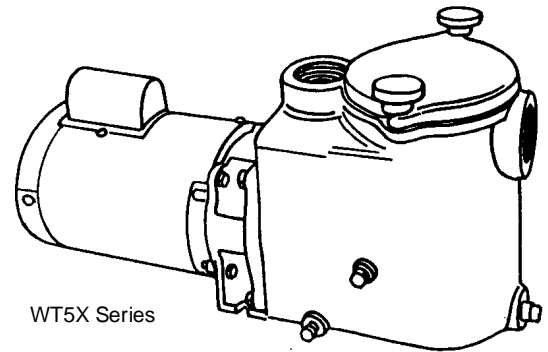
For Water and Other
1.00 S.G. Fluids



WT3A Series



WT5 Series



WT5X Series

60 HZ - PERFORMANCE AND SELECTION 1.00 FLUID S.G. - 3500 RPM											
Catalog Number		HP	TAPPINGS		CAPACITY IN G.P.M. (L.P.S.) - TOTAL HEAD FEET (METERS)						
1 PHASE	3 PHASE		SUCT.	DISCH.	10' (3M)	15' (4.5M)	20' (6M)	25' (7.6M)	30' (9.1M)	35' (10.6M)	38' (11.5M)
A3WT3A*	3WT3A*	1/3	1"	1"	42 (2.6)	40 (2.5)	37 (2.3)	33 (2.0)	26 (1.6)	17 (1.0)	9 (0.5)
	33WT3A*										

**Catalog number	**Catalog No. with strainer	HP	TAPPINGS		CAPACITY IN G.P.M. (L.P.S.) - TOTAL HEAD FEET (METERS)								
			SUCT.	DISCH.	10' (3M)	20' (6M)	30' (9M)	40' (12M)	50' (15M)	60' (18M)	70' (21M)	80' (24M)	90' (27M)
5WT5	5WT5X	1/2	2"	2"	55 (3.4)	49 (3.0)	43 (2.7)	37 (2.3)	30 (1.8)	21 (1.3)	10 (0.6)	---	---
7WT5	7WT5X	3/4			72 (4.5)	70 (4.4)	66 (4.1)	61 (3.8)	52 (3.2)	40 (2.5)	24 (1.5)	---	---
10WT5	10WT5X	1			81 (5.1)	79 (4.9)	76 (4.7)	72 (4.5)	65 (4.1)	54 (3.4)	40 (2.5)	20 (1.2)	---
15WT5	15WT5X	1-1/2			86 (5.4)	86 (5.4)	84 (5.2)	80 (5.0)	75 (4.7)	67 (4.2)	54 (3.4)	38 (2.3)	18
20WT5	20WT5X	2			94 (5.9)	93 (5.8)	92 (5.8)	89 (5.6)	85 (5.3)	78 (4.9)	67 (4.2)	50 (3.1)	(1.1)
20WT5A	20WT5AX	2			140 (8.8)	140 (8.8)	132 (8.3)	119 (7.5)	99 (6.2)	---	---	---	30 (1.8)

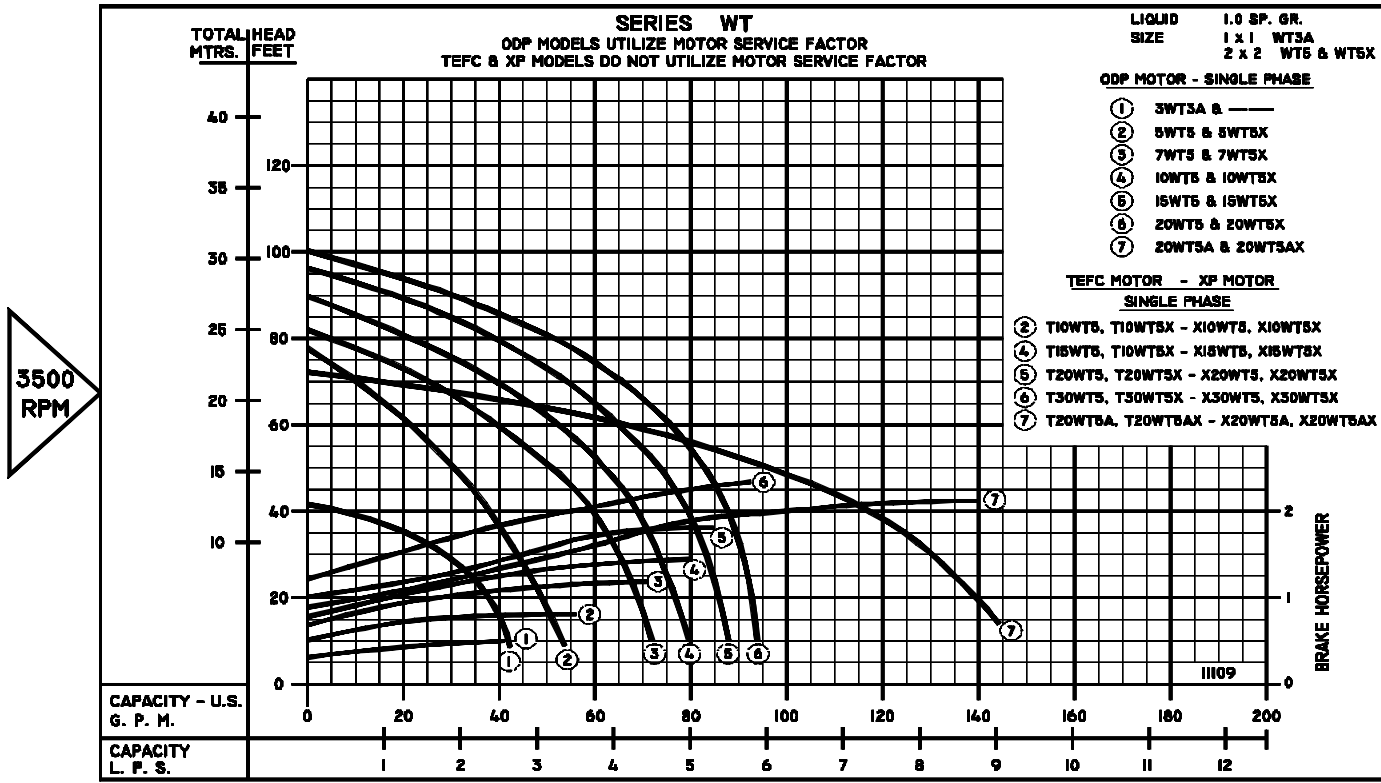
** Catalog numbers are for units with single phase motors. For three phase, add prefix, "3". Example 35WT5X.

* Maximum suction lift on WT3A - 7 ft.
Maximum suction lift on WT5 series - 20 ft.



SECTION	4C
PAGE	2
ISSUED	2/03
REPLACES	4/02

SELF-PRIMING CENTRIFUGAL PUMPS



FEATURES

- Compact, Close-Coupled Design
- Rugged Bronze-Fitted Cast Iron Construction
- Leakproof Mechanical Shaft Seal
- Non-Clogging, Bronze Semi-Open Impeller
- Stainless Steel Shaft
- Back Pull-Out Design For Easy Servicing
- Available With or Without Built-In Basket Type Strainer
- Self-Priming, Once Case is Filled With Fluid
- Diaphragms, Flappers or Check Valves Are Not Required In Pump Suction Piping. But Are Recommended
- EVERY pump is factory tested and will meet Hydraulic Institute standards.

MOTOR INFORMATION

WT3A Series have NEMA Jet Pump Motors. WT5 & WT5X Series have rugged Swimming Pool type motors with oversize ball/ball bearing construction.

All motors have open-drip proof construction and are rated with standard NEMA Jet Pump service factors for continuous duty operation at all ratings shown.

Voltages may differ from some suppliers. Consult factory.

Overload Protection: All single phase motors have built-in overload protection. All three phase motors must be installed with a magnetic starter which provides full 3-leg protection. Failure to use correct starter and overloads will void motor warranty.

All Single Phase Open Drip Proof Motors Are U.L. Recognized.

RATINGS

A3WT3A-1/3 HP, Single Phase, 115V, 60Hz, 3500RPM, ODP, Split Phase.

3WT3A-1/3 HP, Single Phase, 115/230V, 60Hz, 3500RPM, ODP, Capacitor Start.

33WT3A-1/3 HP, Three Phase, 230/460V, 60Hz, 3500RPM, ODP

WT5 & WT5X Series:

Single Phase: 1/2 thru 2HP, 115/230V, 60HZ, 3500RPM, ODP, Capacitor Start.

Three Phase: 1/2 thru 2HP, 230/460V, 60HZ, 3500RPM, ODP.

MATERIALS OF CONSTRUCTION

PART	ALL BRONZE
Adapter	Cast Iron
Case	Cast Iron
Impeller	Bronze
Diffuser	Cast Iron
Shaft	Stainless Steel
Shaft Seal	Carbon-Ceramic-S. Steel-Buna-N
Suction Sleeve	Buna-N
Strainer Gasket	Buna-N
Strainer Basket	Stainless Steel
All Plugs	Brass

MAXIMUM OPERATING CONDITIONS

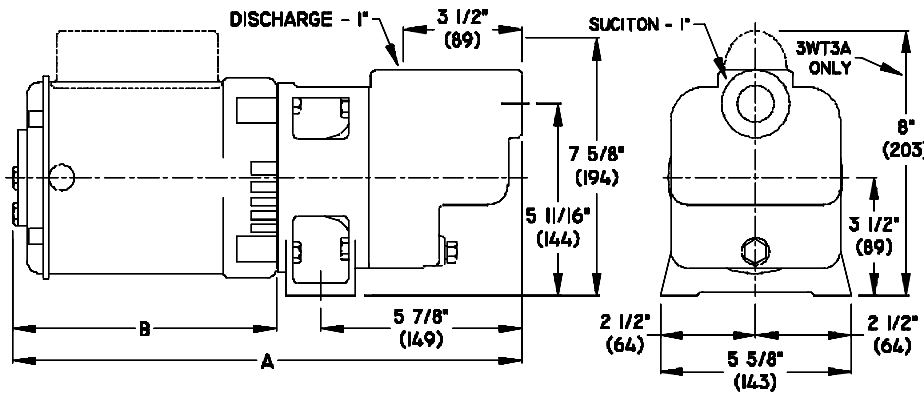
TEMPERATURE (For Standard Buna-N Seal)	225°F (107°C)
INLET PRESSURE (WT3 & WT5)	100 PSI (690kpa)
INLET PRESSURE (WT5X)	15 PSI (103kpa)
CASING WORKING PRESSURE (WT3 & WT5)	165 PSI (1137kpa)
CASING WORKING PRESSURE (WT5X)	60 PSI (413kpa)



DIMENSIONS

SECTION	4C
PAGE	3
ISSUED	2/03
REPLACES	12/01

SERIES WT3A

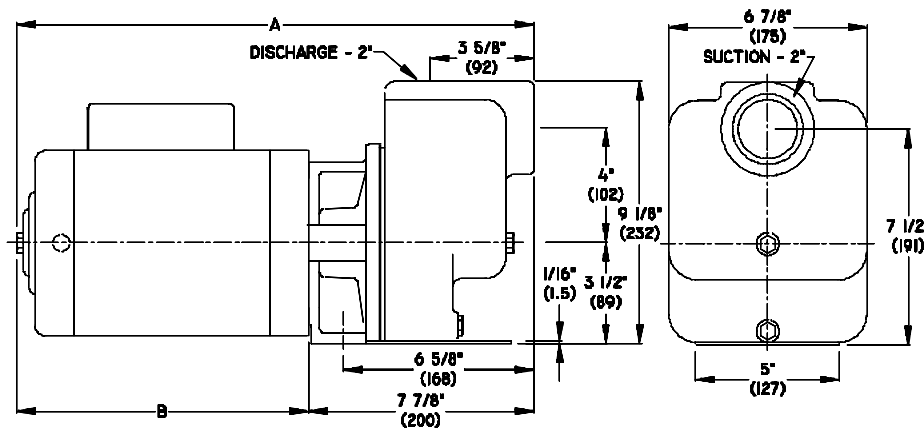


CATALOG NUMBER	DIMENSIONS IN INCHES			
	SINGLE PHASE		THREE PHASE	
	A	B	A	B
A3WT3A	15	7 ⁷ / ₈	---	---
3WT3A	15 ¹ / ₂	8 ³ / ₈	---	---
33WT3A	---	---	15 ¹ / ₂	8 ³ / ₈

CATALOG NUMBER	DIMENSIONS IN MILLIMETERS			
	SINGLE PHASE		THREE PHASE	
	A	B	A	B
A3WT3A	381	200	---	---
3WT3A	393	212	---	---
33WT3A	---	---	393	212

All models have 1" NPT suction and discharge.

SERIES WT5

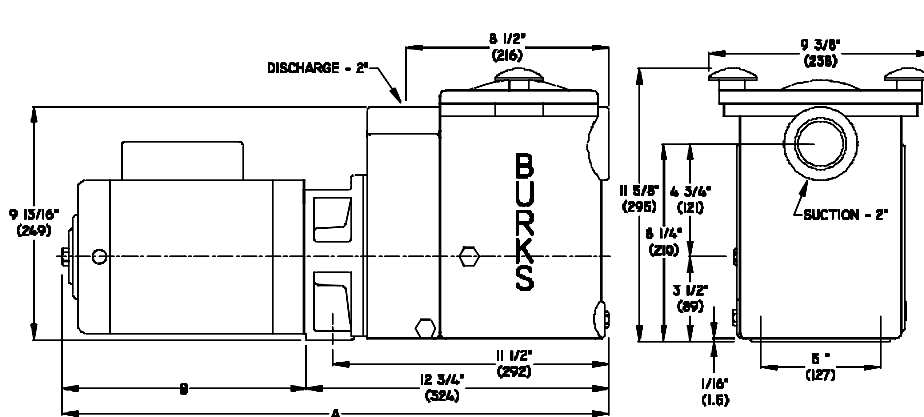


CATALOG NUMBER	DIMENSIONS IN INCHES			
	SINGLE PHASE		THREE PHASE	
	A	B	A	B
5WT5	15 ⁷ / ₈	8	15 ⁵ / ₈	7 ³ / ₄
7WT5	16 ⁷ / ₈	9	16 ⁶ / ₈	9
10WT5	17 ¹ / ₄	9 ³ / ₈	16 ⁶ / ₈	9
15WT5	18	10 ¹ / ₈	16 ⁶ / ₈	9
20WT5	18	10 ¹ / ₈	17 ¹ / ₄	9 ³ / ₈
20WT5A	18	10 ¹ / ₈	17 ¹ / ₄	9 ³ / ₈

CATALOG NUMBER	DIMENSIONS IN MILLIMETERS			
	SINGLE PHASE		THREE PHASE	
	A	B	A	B
5WT5	403	203	396	196
7WT5	428	228	428	228
10WT5	438	238	428	228
15WT5	457	257	428	228
20WT5	457	257	438	238
20WT5A	457	257	438	238

All models have 2" NPT suction and discharge.

SERIES WT5X



CATALOG NUMBER	DIMENSIONS IN INCHES			
	SINGLE PHASE		THREE PHASE	
	A	B	A	B
5WT5X	20 ³ / ₄	8	20 ¹ / ₂	7 ³ / ₄
7WT5X	21 ³ / ₄	9	21 ³ / ₄	9
10WT5X	22 ¹ / ₈	9 ³ / ₈	21 ³ / ₄	9
15WT5X	22 ¹ / ₈	10 ¹ / ₈	21 ³ / ₄	9
20WT5X	22 ¹ / ₈	10 ¹ / ₈	22 ¹ / ₈	9 ³ / ₈
20WT5AX	22 ¹ / ₈	10 ¹ / ₈	22 ¹ / ₈	9 ³ / ₈

CATALOG NUMBER	DIMENSIONS IN MILLIMETERS			
	SINGLE PHASE		THREE PHASE	
	A	B	A	B
5WT5X	527	203	520	196
7WT5X	552	228	552	228
10WT5X	561	238	552	228
15WT5X	581	257	552	228
20WT5X	581	257	561	238
20WT5AX	581	257	561	238

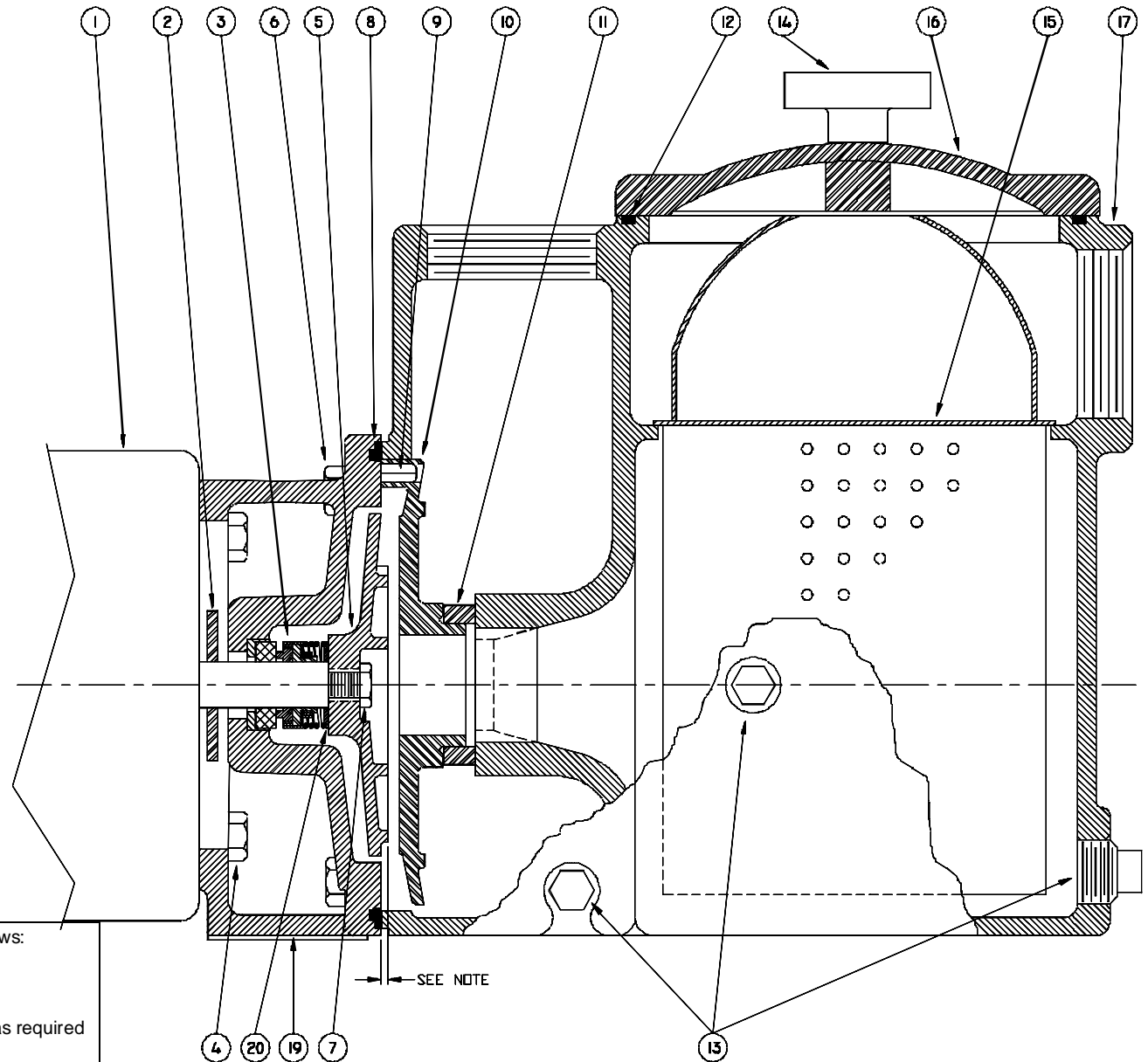
All models have 2" NPT suction and discharge.

DO NOT USE FOR CONSTRUCTION PURPOSES. CERTIFIED DRAWINGS AVAILABLE ON REQUEST.



CSP-P-66

1 - MOTORS		
RPM & PHASE	PART NUMBER	HP
FOR WT5X & WPT5X (Std) SERIES - OPEN DRIP PROOF		
3500 RPM Single Phase (ODP)	20633	1/2
	20501	3/4
	20502	1
	20503	1-1/2
	20504	2
3500 RPM Three Phase (ODP)	20505	3
	20634	1/2
	20506	3/4
	20507	1
	20508	1-1/2
20509	20509	2
	20510	3
	FOR WST5X (Std) SERIES - EXPLOSION PROOF	
3500 RPM Single Phase (XP)	20655	1/2
	20513	3/4
	20515	1
	20517	1-1/2
3500 RPM Three Phase (XP)	20519	2
	20656	1/2
	20514	3/4
	20516	1
20518	20518	1-1/2
	20520	2



NOTE: Impeller must extend from face of frame as follows:
 Pumps with 20405 Diffuser - 33/64"
 20405-1 Diffuser - 9/32"
 20406 Diffuser - 15/64"
 Shim washers (Symbol 20) may be added or removed as required to obtain dimensions.

SEE NOTE

SERIES: WT5X, WPT5X, WST5X SELF-PRIMING CENTRIFUGAL PUMPS

File: WT5X.dwg

SYMBOL NUMBER	PART NUMBER	QUANTITY	DESCRIPTION	
2	08105	1	Slinger Washer	
3	08514	1	Mechanical Seal -Buna N - WT5X & WST5X (Std)	
	09762	1	Mechanical Seal -Viton - WPT5X (Std)	
	20764-C	1	Mechanical Seal- EPT +	
4	01928	4	Cap Screw 3/8 x 1" Lg	
FOR SERIES WT5X, 1 & 3 PHASE				
* 5	20409-A-8	1	Impeller - 5WT5X	
	20409-A-2		Impeller - 7WT5X	
	20409-A-4		Impeller - 10WT5X	
	20409-A-1		Impeller - 15WT5X	
	20409-A		Impeller - 20WT5X	
	20408-A		Impeller - 20WT5AX	
	FOR SERIES WPT5X, 1 & 3 PHASE			
	20407-A	1	Impeller - 5WPT5X	
	20409-A-6		Impeller - 7WPT5X	
	20409-A-5		Impeller - 10WPT5X	
	20409-A-2		Impeller - 15WPT5X	
	20409-A-4		Impeller - 20WPT5X	
	20408-A		Impeller - 30WPT5AX	
	FOR SERIES WST5X, 1 & 3 PHASE			
	20409-A-7	1	Impeller - X5WST5X	
20409-A-5	Impeller - X7WST5X			
20409-A-2	Impeller - X10WST5X			
20409-A-1	Impeller - X15WST5X			
20409-A	Impeller - X20WST5X			
20408-A	Impeller - X20WST5AX			
6	04235	4	Cap Screw 3/8 x 1-1/4	
7	20459	1	Impeller Lock Nut	
** 8	08507	1	Flat Gasket	
	22021	1	O-Ring Gasket - Buna N - WT5X & WST5X (Std)	
	22020	1	O-Ring Gasket - Viton - WPT5X (Std)	
	22133	1	O-Ring Gasket - EPT +	
	22102	1	O-Ring Gasket -Teflon	

SYMBOL NUMBER	PART NUMBER	QUANTITY	DESCRIPTION
9	09453	2	Pin
10	20405	1	Diffuser - 20WT5AX & 320WT5AX 30WPT5AX & 330WPT5AX X20WST5AX & X320WST5AX
	20405-1	1	Diffuser - 5WPT5X & 35WPT5X
	20406	1	Diffuser - All Except Above
11	04231	1	Suction Sleeve - Buna N - WT5X & WST5X (Std)
	09695	1	Suction Sleeve - Viton - WPT5X (Std)
	20285	1	Suction Sleeve - EPT +
12	067565	1	Gasket, Buna N - WT5X & WST5X
	20460	1	Gasket, Viton - WPT5X
13	04236	3	Plug, 1/4-18 NPT
14	05413	2	Knob Assy
15	20461	1	Strainer, Basket
16	20410	1	Cover, Strainer
17	20411	1	Case
19	20245	1	Adapter - 20WT5AX & 320WT5AX 5WPT5X & 35WPT5X 30WPT5AX & 330WPT5AX X20WST5AX & X320WST5AX
	20245-1	1	Adapter - All except Above
20	20628	1	Washer, 1/16 - 7WPT5X & 37WPT5X
	08542-A	As Req.	Washer, .032"
	20294	As Req.	Washer, .010"
	20497	As Req.	Washer, .005"
ALL IRON PARTS			
5		1	Impeller (Omit Letter A)
13	04236-A	3	Plug

SERIES: WT5X, WPT5X, WST5X SELF-PRIMING CENTRIFUGAL PUMPS

* Series WT5X, WPT5X & WST5X pumps have been manufactured with either cast iron or bronze impellers as standard.

All replacement impellers will be bronze as listed, unless iron is specified. For iron impellers, omit the letter "A" from part number. EXAMPLE: 20409-8.

** Series WT5X, WPT5X & WST5X pumps have been manufactured with either a flat or O-ring type gasket.

Determine which type is required before ordering. When in doubt, order flat gasket.

+ For hot water or caustic service.

CSPP-67

For technical advice or service please take your pump into your local pump service center.
To order pump or parts or for pricing please go to the following links :

[Burks Pumps Home >>](#)

[Burks Pumps stock list >>](#)