

Please read and save this Repair Parts Manual. Read this manual and the General Operating Instructions carefully before attempting to assemble, install, operate or maintain the product described. Protect yourself and others by observing all safety information. The Safety Instructions are contained in the General Operating Instructions. Failure to comply with the safety instructions accompanying this product could result in personal injury and/or property damage! Retain instructions for future reference. AMT reserves the right to discontinue any model or change specifications at any time without incurring any obligation.

©2016 AMT Pump Company, A Subsidiary of The Gorman-Rupp Company, All Rights Reserved.

Periodic maintenance and inspection is required on all pumps to ensure proper operation. Unit must be clear of debris and sediment. Inspect for leaks and loose bolts. Failure to do so voids warranty.

1750 RPM Centrifugal Pumps



Refer to pump manual 1808-634-00 for General Operating and Safety Instructions.

DESCRIPTION

These non-self-priming centrifugal pumps are intended for liquid transfer, heating and cooling circulation, booster service and other industrial applications where no suction lift is required.

This manual covers the installation, operation and maintenance of AMT 1750 RPM centrifugal pumps. These pumps are a centrifugal, single stage; single suction type furnished with mechanical seals. When properly installed and when given reasonable care and maintenance, centrifugal pumps should operate satisfactorily for a long period of time. Centrifugal pumps use the centrifugal force principal of accelerating the liquid within a rotating impeller collecting it and converting it to pressure head in a stationary volute.

The back pullout design allows for removal of the motor and integral rotating element without disturbing the suction and discharge piping. The suction and discharge nozzles are drilled and tapped for gauge connections. Pump casings are drilled and tapped for complete pump drain. Casing wear rings are provided as standard equipment.

These are manual units, no controls are supplied. For use with nonflammable, non-abrasive liquids compatible with pump component materials.

STORAGE & PROTECTION

All pumps are shop serviced and ready for operation when delivered, but there are occasions when considerable time elapses between the delivery date and the time the pump is put into operation. Equipment, which is not in service should be kept in a clean, dry area. If equipment is to be stored for long periods of time (six months or more), the following precautions should be taken to ensure that the equipment remains in good condition:

1. Be sure that the motor bearings are lubricated, if required.
2. Unpainted-machined surfaces, which are subject to corrosion, should be protected by some corrosive resistant coating.
3. The shaft should be rotated 10 to 15 revolutions by hand periodically in order to spread the lubricant over all the bearing surfaces. Suitable intervals are from one to three months, depending on atmospheric conditions, etc. In order to ensure that the pump shaft does not begin to sag, do not leave the shaft in the same position each time.
4. Space heaters on motors and controllers should be connected and fully operable if atmospheric conditions approach those experienced in operation. Consult instruction manuals for other precautions concerning storage of individual components of pumping unit.
5. Fresh lubricant should be applied to bearings upon removal of equipment from storage, if required.

INSTALLATION

Location:

Several factors should be considered when selecting a location for the pumping unit (pump and drive). The unit should be accessible for both inspection and maintenance. Headroom should be provided for the use of crane, hoist or other necessary lifting devices. The pump should be located as close as possible to the liquid supply so that the suction line is short and direct. Location should require a minimum of elbows and fittings in the discharge line to minimize friction losses. The unit should be protected against flooding.

Mounting:

Pumps can be mounted on steel bases, raised concrete pads or floor as long as the mounting surface is level. The mounting surface must be solid and rigid enough to support the pump unit without deflection or vibration. To facilitate the leveling of the pump, use a spirit level and short pieces of pipe in the threaded nozzles to determine if the pump is level in all directions.

Wiring and Controls:

The electric motor power supply connections must conform to national and local codes. The motor ratings stamped on the motor nameplate must match the line voltage and wire capacity.

▲ WARNING

DO NOT USE ANY OTHER VOLTAGE EXCEPT WHAT IS ON THE MOTOR NAMEPLATE!

Flooded Suction:

Net Positive Suction Head Required (NPSHR). Curve with NPSHR available at www.amtpump.com.

1. Problems will arise in operation of this pump unless the recommended NPSHR is supplied to the pump (See "Troubleshooting" chart in 1808-634-00 manual).
2. Salt Water Usage: Because of crystallization and erosive material on the shaft seal pump requires fresh water rinse to avoid premature failure.
3. Liquid must be added to pump before initial starting.

OPERATION

▲ CAUTION

Do not exceed the rated working pressure of the pump. The sum of the suction pressure and the maximum pump operating head (converted to units of pressure) must be less than the pump working pressure at all times.

1750 RPM Centrifugal Pumps

▲ CAUTION

Do not exceed the pressure capabilities of the mechanical seals. The maximum pressure on the mechanical seal for this pump type is equal to the suction pressure plus 10% of the maximum pump operating head (converted to units of pressure) for a new pump. For a pump with worn internal ring clearance, the maximum pressure on the mechanical seal is equal to the suction pressure plus 15% of the maximum pump operating head (converted to units of pressure). This pressure must not exceed the rated working pressure of the mechanical seals.

SEAL WASH/VENT KIT

This pump comes with a seal wash/vent kit installed to circulate liquid and remove air from the seal cavity when pet cock is in the open position (open position is with control in-line with pet cock and closed position is with the control perpendicular to the pet cock).

▲ WARNING

If liquid contains sediment, abrasives or solids; it is required to connect the seal wash/vent kit to a clean liquid source. This requires removing the seal wash/vent kit from casing discharge, installing a current NPT plug into casing then attaching seal wash/vent kit line to external liquid source. This installation must be done by a qualified plumber or mechanic to avoid damage to pump or property. Failure to do so voids all warranties and liability of manufacturer

Starting:

- When possible, turn the pump shaft by hand to ensure that the parts do not bind.
- Open the valve in the pump suction line, if fitted.
- Close discharge valve.
- Prime the pump as follows before operating:
The pump operates under positive pressure, open vent valve on top of the pump casing. After all entrained air has escaped, close the vent valves. Rotate the shaft, if possible, to allow any air trapped in the impeller passages to escape.
- Check direction of rotation before starting pump. Rotation should be the same as the direction arrow on the case.

▲ CAUTION

Do not operate without liquid. Pump seals depend on the liquid being pumped for lubrication. Make sure pump is primed and that no air is in the suction piping and the pump case. Make sure all valves are open or closed as required by your specific requirements.

Start driver:

- Open discharge valve slowly when the pump is up to speed.

▲ CAUTION

Overheating and/or loss of prime will result if the pump is operated against a closed valve for more than a few minutes.

NOTE: Should the pump fail to build up pressure or discharge water when the discharge valve is opened, stop the pump and read **Section Locating Operating Difficulties**.

Shutdown:

The pump may be stopped with the discharge valve open without causing damage. However, in order to prevent water hammer effects, as a general recommendation the discharge valve should be closed first.

1. Close discharge valve.
2. Stop driver.

3. If danger of freezing exists, isolate the pump by closing a valve in the pump suction line, if fitted, and drain the pump completely.

REPAIRS AND REPLACEMENT

▲ CAUTION

INSTALLATION OF NEW SEAL *The precision lapped faces on shaft seal are easily damaged. Handle your replacement seal carefully.*

To Remove Impeller:

Reference: Pump Assembly Section

1. Remove bolts holding the motor (7) to base or floor.
2. Remove bolts holding the volute cover (5) to the casing (1).
3. Pull entire rotating assembly and volute cover (5) from the casing (1). The assembly should be pulled straight out until impeller (2) is clear of the casing.

Disassembly of Rotating Element:

1. Remove the impeller screw (9) and impeller washer (8).
2. Remove impeller (2). Do not loosen impeller key (10).
3. Remove bolts from between volute cover (5) and motor (7).
4. Remove volute cover (5).
5. Remove mechanical seal (12) and shaft sleeve (6) with O-ring.
6. Remove deflector (1).

Cleaning:

▲ WARNING

Petroleum based cleaning solvents are flammable. Smoking or open flames in the vicinity of these solvents is extremely hazardous and must not be permitted. Disregarding this warning could result in grave personal injury.

Clean all metal parts with a solvent. Use a bristle brush (not metal or wire) to remove tightly adhering deposits. A fiber scraper may be used to remove the gasket and shellac from casing flange. Blow dry with clean dry compressed air.

▲ CAUTION

Never use hydrocarbon liquids (oil or solvent) to clean mechanical seal parts. Use of oil or solvent will deteriorate material used on the seal. Use mild soap solution to clean seal parts. Use only your finger to remove dirt. Rinse with clean water and dry with mild air stream. Use care not to damage or scratch lapped surfaces.

Inspection:

Visually inspect parts for damage affecting serviceability. Check O-rings and gaskets for cracks, nicks or tears; packing rings for excessive compression, fraying or shredding and embedded particles. Replace if defective in any way. Mount shaft between lathe centers and check eccentricity for entire length of the shaft. Eccentricity should not exceed .002 inches (0.05 mm). Bearing surfaces should be smooth; shoulders square and free of nicks.

Measure O.D. of impeller hub and I.D. of pump casing. Compute diametrical clearance (I.D. minus O.D.) and compare with the original pump specifications. Surfaces must be smooth and concentric. Examine impeller passages for cracks, dents or embedded material. Examine shaft sleeves for wear.

1750 RPM Centrifugal Pumps

Seal Replacement and Assembly:

The following should prove helpful in reassembling the pump:

1. All parts, inside and out, should be clean. Dirt and grit will cause excessive wear, plus needless shutdown.
2. Install the deflector (11) onto the motor shaft (3).
3. Press the mechanical seal (12) into the volute cover (5).
4. Install the volute cover (5) onto the motor (7).
5. Lubricate the O.D. of the shaft sleeve (6) and the I.D. of the opposite half of the mechanical seal using **International Products P-80 Emulsion Temporary Assembly Lubricant** or equivalent (available from International Products Corporation, 201 Connecticut Drive, Burlington NJ 08016 USA, phone 609-386-8770, Fax 609-386-8438, <http://www.ipcol.com>, mkt@ipcol.com) or equivalent. Press the shaft sleeve (6) through the seal. Coat the interior of the shaft sleeve (6) with **Dow Corning 732 Multi Purpose Sealant** or equivalent.
6. Press the shaft sleeve (6) onto the shaft (3) and install seal spring.
7. Insert the impeller key (10) into the shaft (3) keyway. Install the impeller (2) onto the shaft (3).
8. Coat the impeller bolt (9) with **Loctite 262 Threadlocker** or equivalent. Install the impeller washer (8) and bolt (9).
9. Install the casing ring (4) into the casing (1).
10. Install the gasket (13) and position the rotating assembly into the casing (1).
11. Install and tighten casing bolts.
12. Install all NPT fittings and tubing.
13. Rotate by hand when possible to ensure that the parts do not bind.
14. Inspect seal wash/vent kit for proper operation and or closed condition. Cleanout as required using proper solvent for copper and brass.

For Repair Parts contact dealer where pump was purchased.

Please provide following information:

- Model Number
- Serial Number (if any)
- Part/Kit Description and Number

NOTE: Parts are available only in kits listed, parts are not available individually.

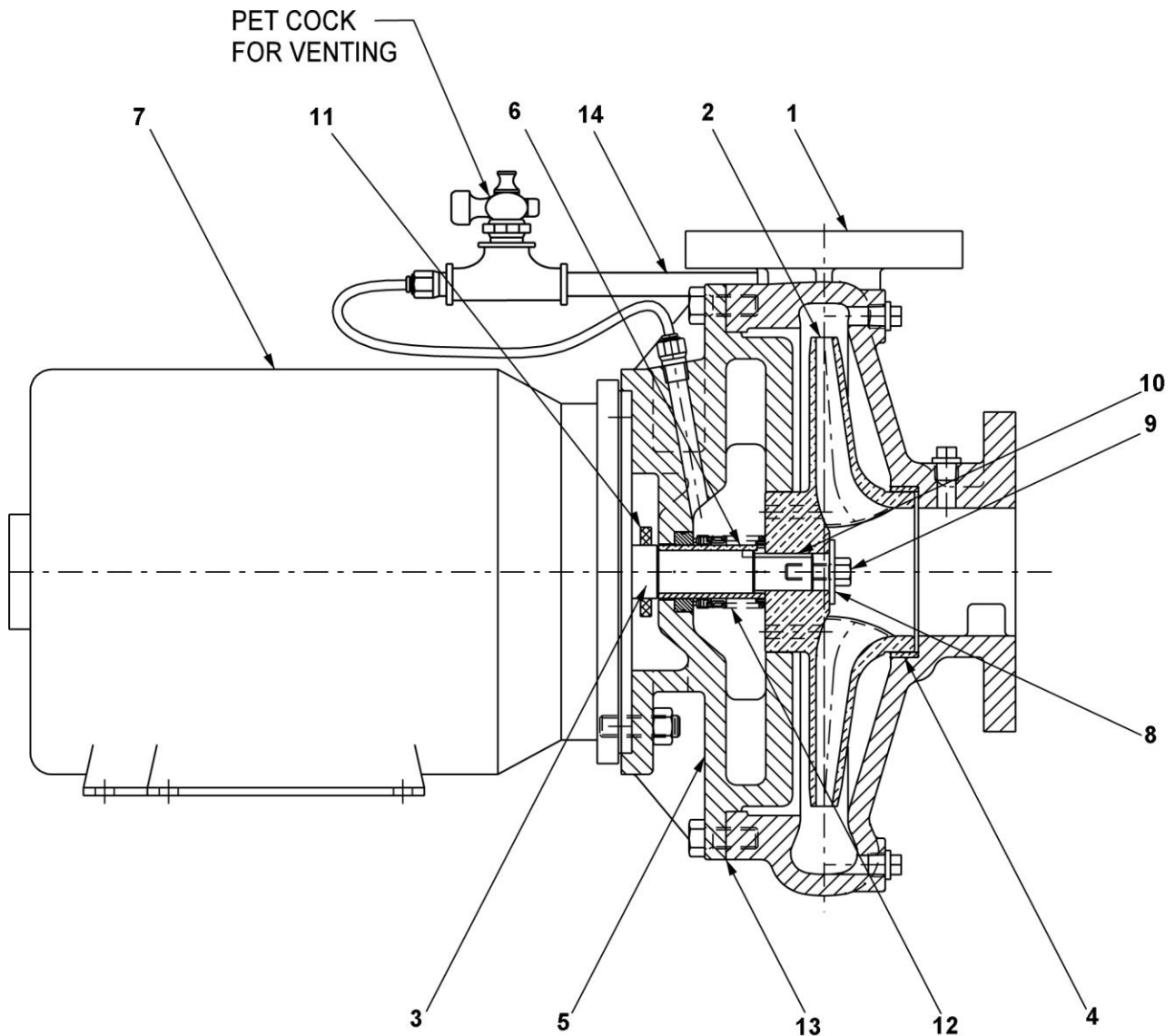


Figure 2 – Repair Parts Illustration

Repair Parts List

Ref. No.	Description	Part Number for Models:						Qty
		420A-95	427A-95	427B-95	428A-95	428B-95	430A-95	
1	Casing Kit (includes Ref. No. 1, 4 and Hardware)	420A-001-95	427A-001-95	427B-001-95	428A-001-95	428B-001-95	430A-001-95	1
2	Impeller Kit (includes Ref. Nos. 8, 9, and 10)	420A-010-97	427A-010-97	427B-010-97	428A-010-97	428B-010-97	430A-010-97	1
3	Motor Shaft (for service reference only)	see Ref.7	see Ref.7	see Ref.7	see Ref.7	see Ref.7	see Ref.7	N/A
4	Casing Ring	Incl. w/Ref 1	Incl. w/Ref 1	Incl. w/Ref 1	Incl. w/Ref 1	Incl. w/Ref 1	Incl. w/Ref 1	N/A
5	Volute Cover Kit (includes Ref. No. 5 and Hardware)	420A-030-95	427A-030-95	427B-030-95	428A-030-95	428B-030-95	430A-030-95	1
6	Shaft Sleeve	420A-140-90	427A-140-90	427B-140-90	427B-140-90	428B-140-90	427B-140-90	1
7	Motor	1627-370-00	1627-371-00	1627-372-00	1627-371-00	1627-372-00	1627-373-00	1
8	Impeller Washer	Incl. w/Ref 2	Incl. w/Ref 2	Incl. w/Ref 2	Incl. w/Ref 2	Incl. w/Ref 2	Incl. w/Ref 2	1
9	Impeller Screw	Incl. w/Ref 2	Incl. w/Ref 2	Incl. w/Ref 2	Incl. w/Ref 2	Incl. w/Ref 2	Incl. w/Ref 2	N/A
10	Impeller Key	Incl. w/Ref 2	Incl. w/Ref 2	Incl. w/Ref 2	Incl. w/Ref 2	Incl. w/Ref 2	Incl. w/Ref 2	N/A
11	Deflector Kit	Incl. w/Ref 12	Incl. w/Ref 12	Incl. w/Ref 12	Incl. w/Ref 12	Incl. w/Ref 12	Incl. w/Ref 12	N/A
12	Seal & Deflector Kit (includes Ref. No. 11 and 12)	420A-160-90	427A-160-90	427A-160-90	427A-160-90	427A-160-90	427A-160-90	1
13	Gasket Kit	420A-300-90	427A-300-90	427B-300-90	427B-300-90	420A-300-90	427B-300-90	1
14	Seal Wash/Vent Kit	420A-170-90	420A-170-90	420A-170-90	420A-170-90	420A-170-90	420A-170-90	1