

Specialty Pumps



MARINE PRODUCT DATA SHEET

OEM: 8050-261-105
AFTERMARKET: 8050-261-105

Specifically designed for refrigeration cold plate circulation, this pump allows you to adjust water flow according to your system.

TYPICAL APPLICATIONS

Refrigeration cold plate circulation. This pump may be used for general water transfer. For other applications contact SHURflo.

PUMP

Type: 3 Chamber Diaphragm
Ports: 1/2" NPT-Male
Liquid: 130 °F [54 °C] Max
Prime: 4 feet [1.21 M]
Inlet PSI: 30 PSI [2.1 Bar] Max
Run Dry: Yes

ELECTRICAL

Motor: 12VDC Permanent Magnet, Continuous Duty
Protection: Thermal Overload, Automatic Restart
Leads: 16 AWG, 16" [40 cm] Red +, 13" [33 cm] Black -
Fuse: 5 Amp Recommended
Control: 45 PSI Internal By-Pass (No External Control)

MATERIALS

Housing: Polypropylene
Valves: EDPM
Diaphragm: Santoprene
Hardware: Stainless Steel

APPROVALS

UL Marine, CE, Ignition Protected, ISO 8846

WARRANTY

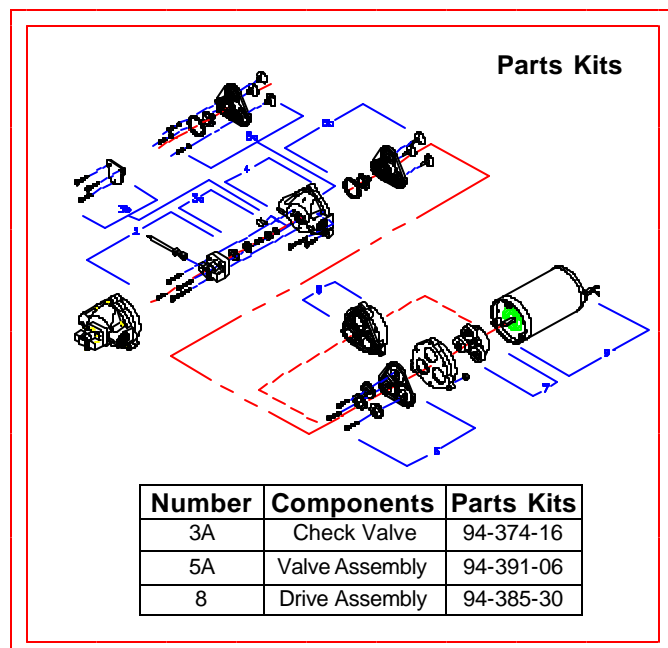
1 Year Limited Warranty
See SB-1050 For Full Warranty Details

SHIPPING

Net Weight (Boxed): 5.1 Lb [2.3 Kg] each
Carton Weight: 62 Lb [28.1 Kg]
Pumps in Carton: 12
Carton Size: 24"L x 18"W x 11"H
[61cm x 46 cm x 28 cm]

RELATED DOCUMENTS

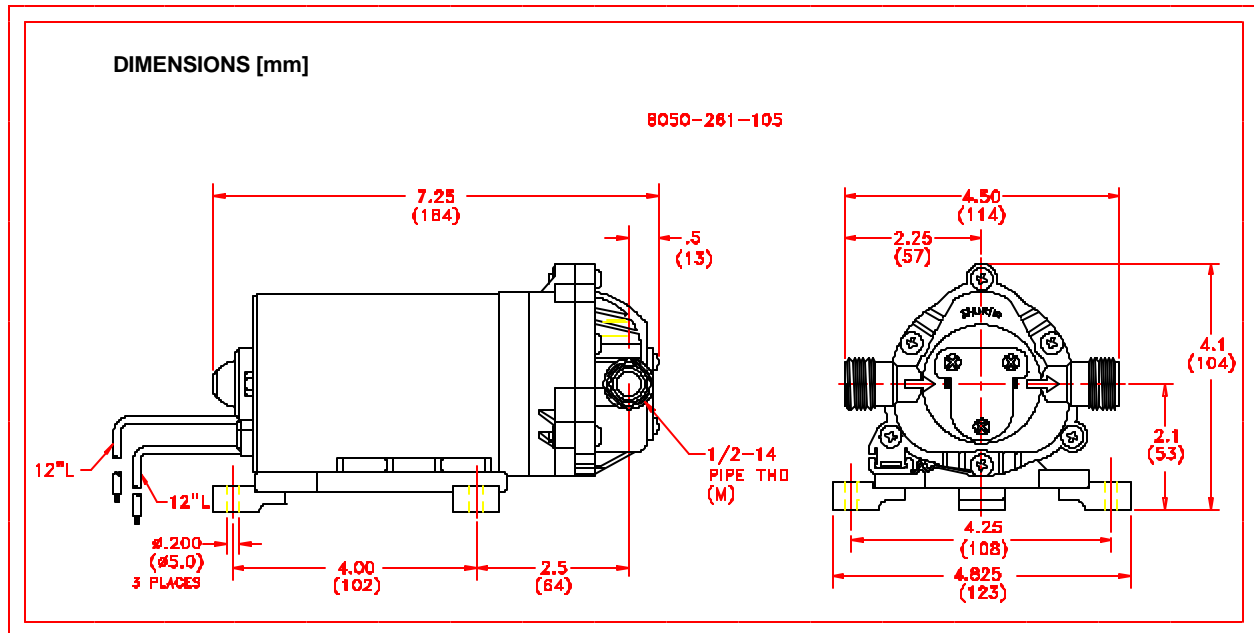
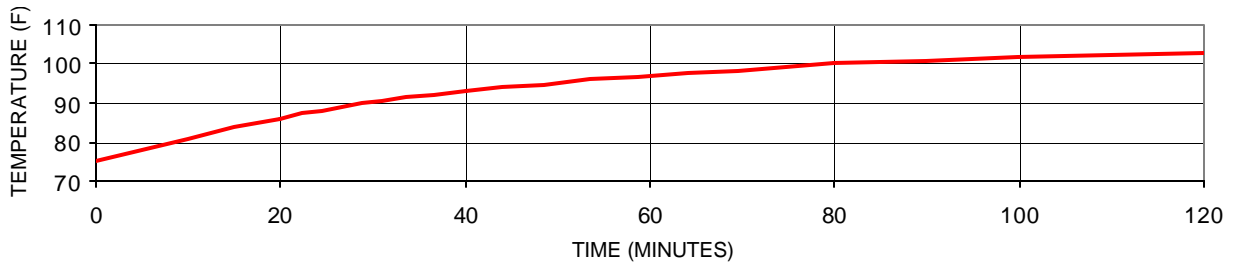
Catalog: MS-030-140
Installation Manual: 911-314
Maintenance: 911-314
Applications Spec Guide: MS-020-005
Warranty: SB-1050



PERFORMANCE @ 12V DC

PRESSURE		FLOW		CURRENT
BAR	PSI	GPM	LPM	AMPS
0.0	0	0.60	2.27	0.75
0.7	10	0.55	2.08	1.30
1.4	20	0.51	1.93	1.50
2.1	30	0.42	1.58	1.80

MOTOR SHELL T-RISE @ 35 PSI, 12V



For technical advice or service please take your pump into your local pump service center.

To order pump or parts or for pricing please go to the following links :

[Shurflo Pumps Home >>](#)

[Shurflo Pumps stock list >>](#)