

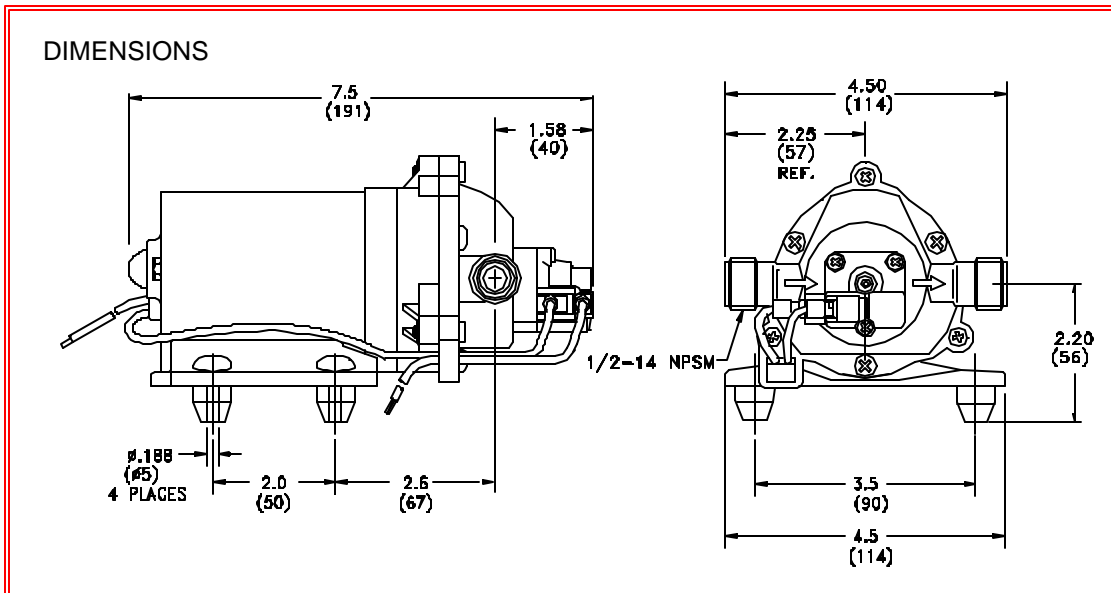
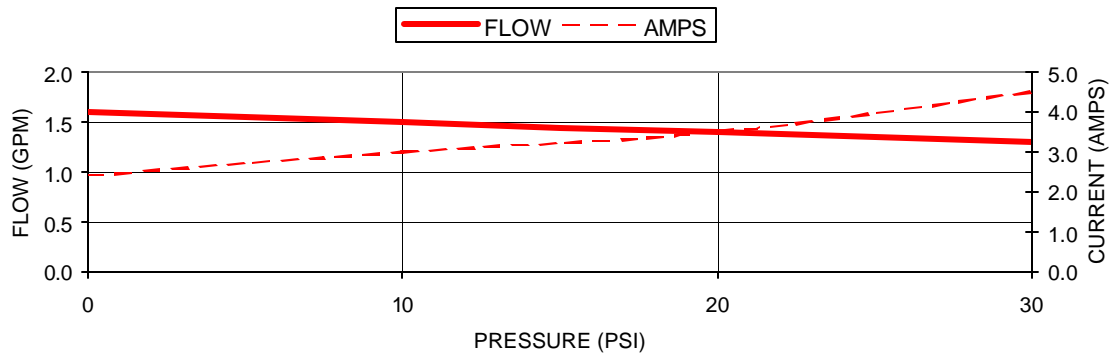
MARINE PRODUCT DATA SHEET

OEM 8050-204-133 (Not Validated)
 AFTERMARKET 8050-204-033



TYPICAL PERFORMANCE @ 12V DC

PRESSURE		FLOW		CURRENT
BAR	PSI	GPM	LPM	AMPS
0.0	0	1.6	6.0	2.4
0.7	10	1.5	5.6	3.0
1.4	20	1.4	5.2	3.5
2.1	30	1.3	4.9	4.5



*ISO Registered Facility



For technical advice or service please take your pump into your local pump service center.

To order pump or parts or for pricing please go to the following links :

[Shurflo Pumps Home >>](#)

[Shurflo Pumps stock list >>](#)