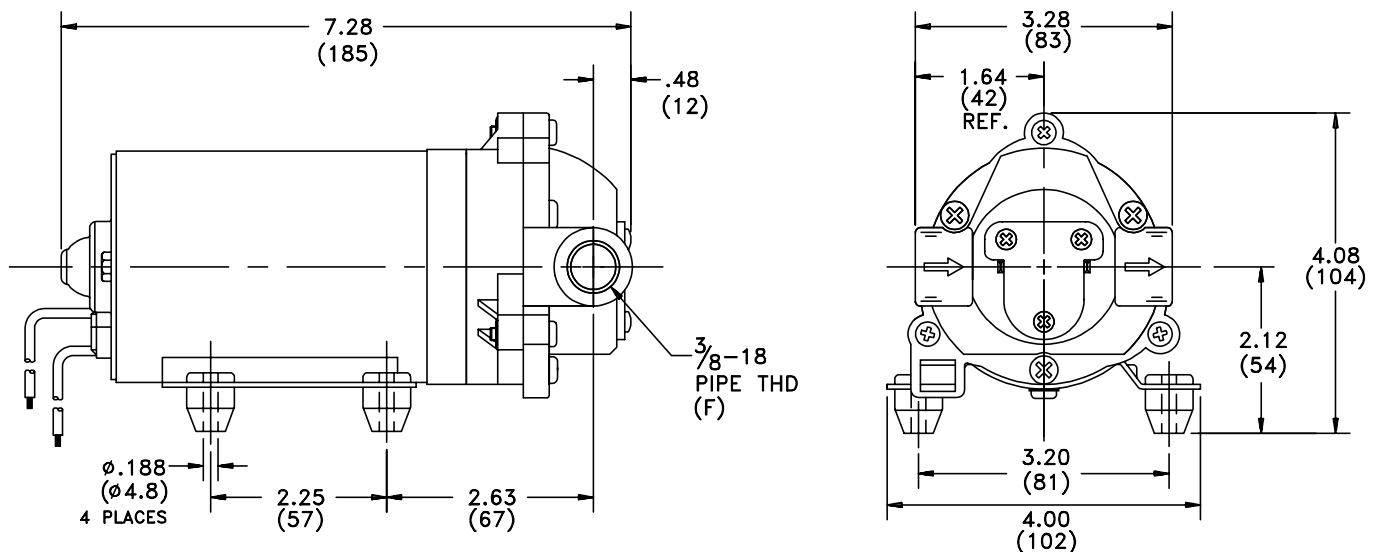
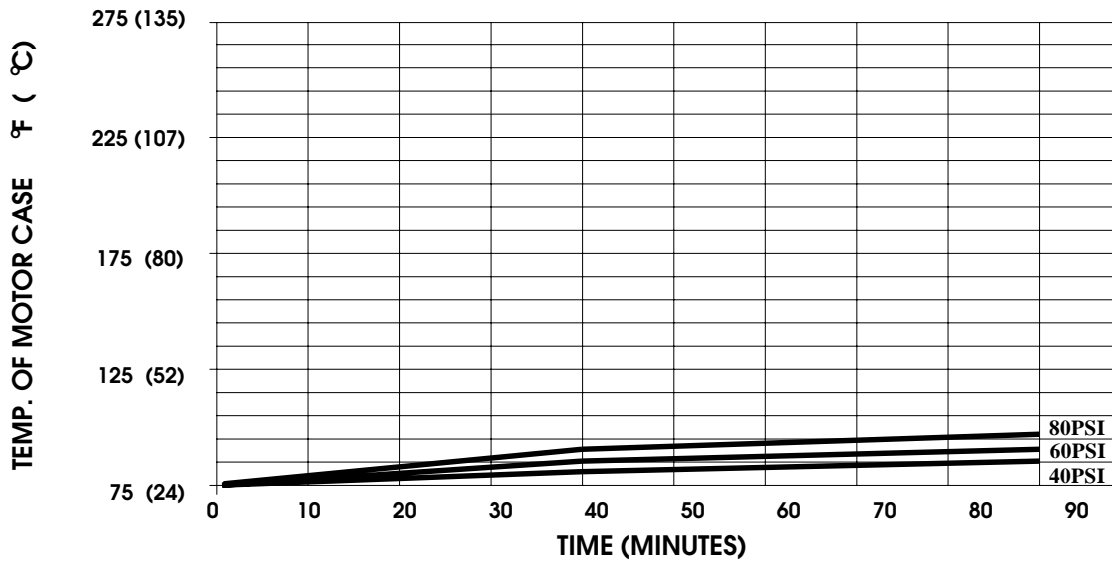


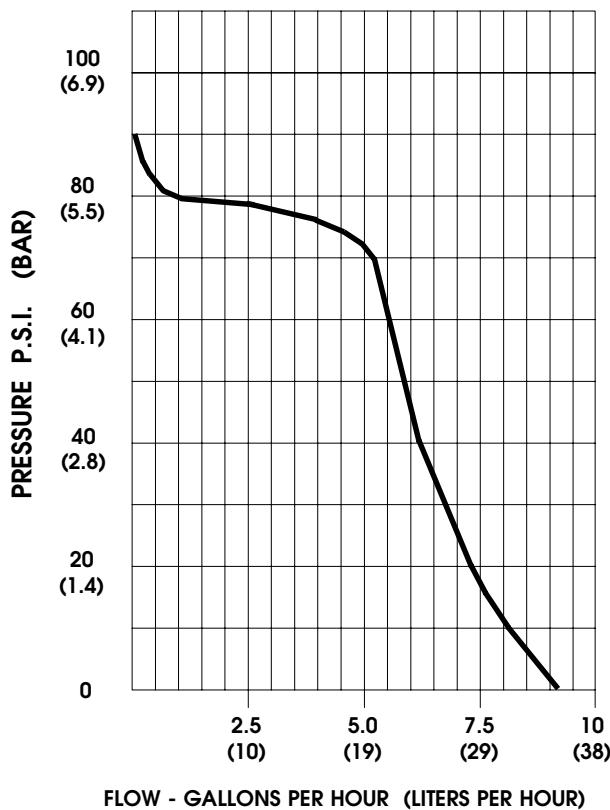
PRODUCT DATA SHEET**MODEL:** 8010-101-200**SPECIFICATIONS:****MODEL NUMBER:** 8010-101-200**PUMP DESIGN:** Positive Displacement 3 Chamber Diaphragm Pump**CAM:** 2.0 Degree**MOTOR:** Permanent Magnet, P/N 11-155-00**VOLTAGE:** 24 VAC Nominal**PRESSURE SWITCH:** None**LIQUID TEMPERATURE:** 180 Degrees Fahrenheit (82 Degrees Centigrade) Max.**PRIME:** Self-Priming Up To 4.0 Ft. Vertical,
Max. Inlet Pressure 30 PSI (2.1 Bar)**PORTS:** 3/8"-18 NPT Female**MATERIAL OF CONSTRUCTION:****PLASTICS-** Polypro**VALVES-** EPDM**DIAPHRAGM-** Santoprene**FASTENERS-** Zinc or Cad Plated Steel**NET WEIGHT:** 4.7 Lbs (2.13 Kg)**DUTY CYCLE:** Continuous (See Temperature Rise Chart)**APPROVALS:** N.S.F. Listed**TYPICAL APPLICATIONS:** R.O. Booster Pump**BYPASS:** 90 PSI Max.**DIMENSIONS:**

TEMPERATURE RISE



THIS GRAPH IS FOR USE AS A DESIGN GUIDE. IT IS BASED ON RUNNING CONTINUOUSLY WITH AN AMBIENT TEMPERATURE OF 70° F IN STILL AIR.

TYPICAL PERFORMANCE



PRESSURE (PSI)	FLOW (GPH/LIT)	RPM MIN/MAX	CURRENT (AMPS)	VOLTAGE (VOLTS)
OPEN	9.20/38	470/475	0.17	24 VAC
10	8.30/31	450/455	0.19	"
20	7.52/28	430/435	0.21	"
30	6.87/26	415/420	0.25	"
40	6.33/24	395/400	0.27	"
50	5.91/22	380/385	0.31	"
60	5.48/21	370/380	0.34	"
70	5.17/20	350/375	0.37	"
80	0.60/2.3	345/375	0.41	"

-SPECIFICATIONS SUBJECT TO CHANGE WITHOUT NOTICE.

For technical advice or service please take your pump into your local pump service center.

To order pump or parts or for pricing please go to the following links :

[Shurflo Pumps Home >>](#)

[Shurflo Pumps stock list >>](#)