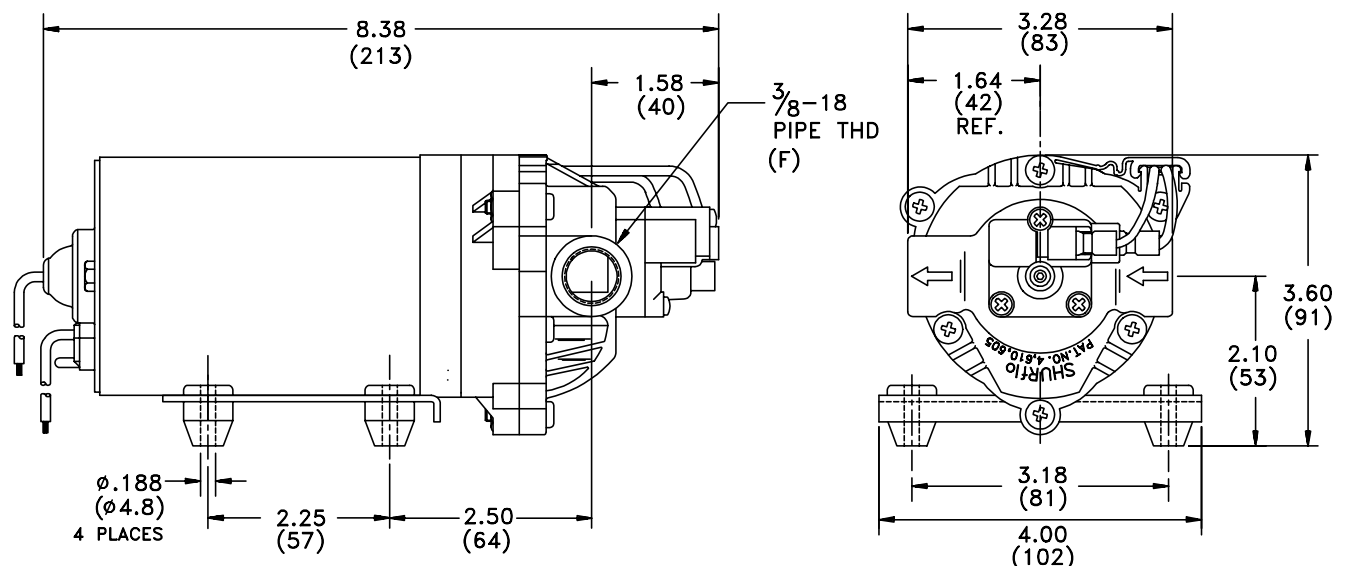
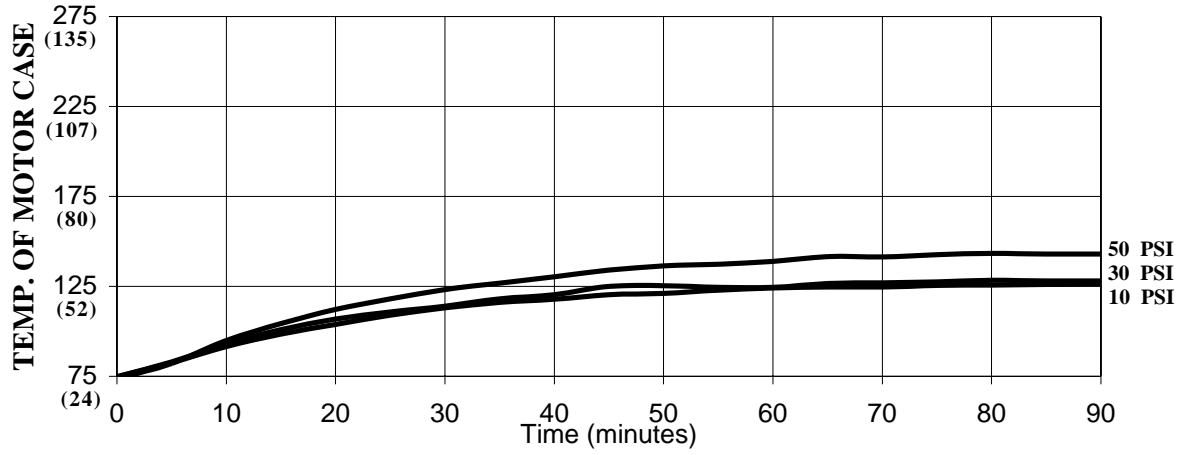
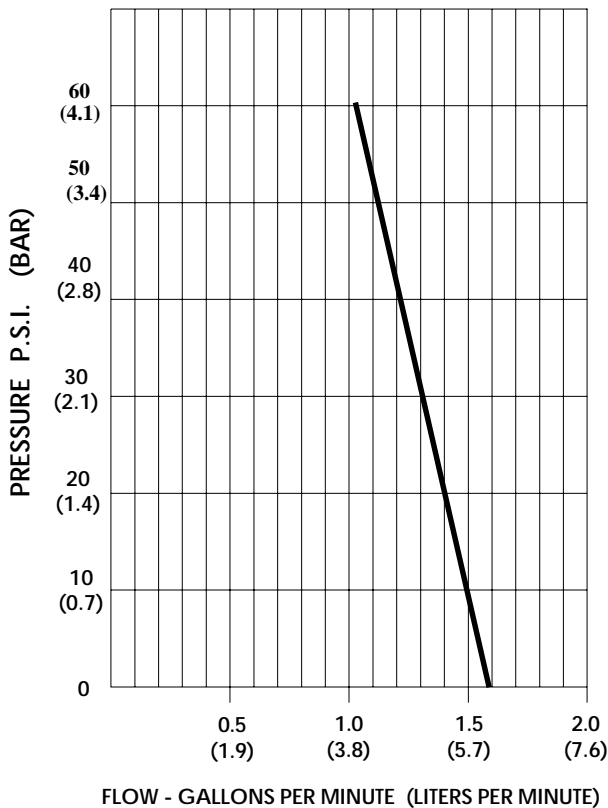


PRODUCT DATA SHEET**MODEL: 8006-543-236****SPECIFICATIONS:****MODEL NUMBER:** 8006-543-236**PUMP DESIGN:** Positive Displacement 3 Chamber Diaphragm Pump**CHECK VALVE:** (1-Way operation prevents reverse flow)**CAM:** 3.0**MOTOR:** 11-111-07 Permanent Magnet**VOLTAGE:** 12 VDC Nominal**PRESSURE SWITCH:** Adjustable Shut-off (Range 40-60 PSI)Factory set @ 60 PSI, Turn on 45 ± 5 PSI**LIQUID TEMPERATURE:** 170 Degrees Fahrenheit (82 Degrees Centigrade)**PRIME:** Self Priming up to 10 Ft. Vertical**PORTS:** 3/8" -18 NPT Female**MATERIAL OF CONSTRUCTION:****PLASTICS-** Polypropylene**VALVES-** Viton**DIAPHRAGM-** Santoprene (Solid)**FASTENERS-** Stainless Steel**NET WEIGHT:** 4.6 Lbs (2.08Kg)**DUTY CYCLE:** Intermittent (See Temperature Rise Chart)**TYPICAL APPLICATIONS:** Agricultural Spraying**DIMENSIONS:**

TEMPERATURE RISE



TYPICAL PERFORMANCE



PRESSURE (PSI)	FLOW (GPM/LIT)	CURRENT (AMPS)	VOLTAGE (VOLTS)
OPEN	1.55/5.9	3.0	12VDC
10	1.52/5.8	3.5	
20	1.45/5.5	4.2	
30	1.39/5.3	4.8	
40	1.33/5.0	5.4	
60	1.20/4.5	6.5	

-SPECIFICATIONS SUBJECT TO CHANGE WITHOUT NOTICE.

-ALL DATA BASED ON TESTING WITH WATER AT AMBIENT TEMPERATURE.

For technical advice or service please take your pump into your local pump service center.

To order pump or parts or for pricing please go to the following links :

[Shurflo Pumps Home >>](#)

[Shurflo Pumps stock list >>](#)