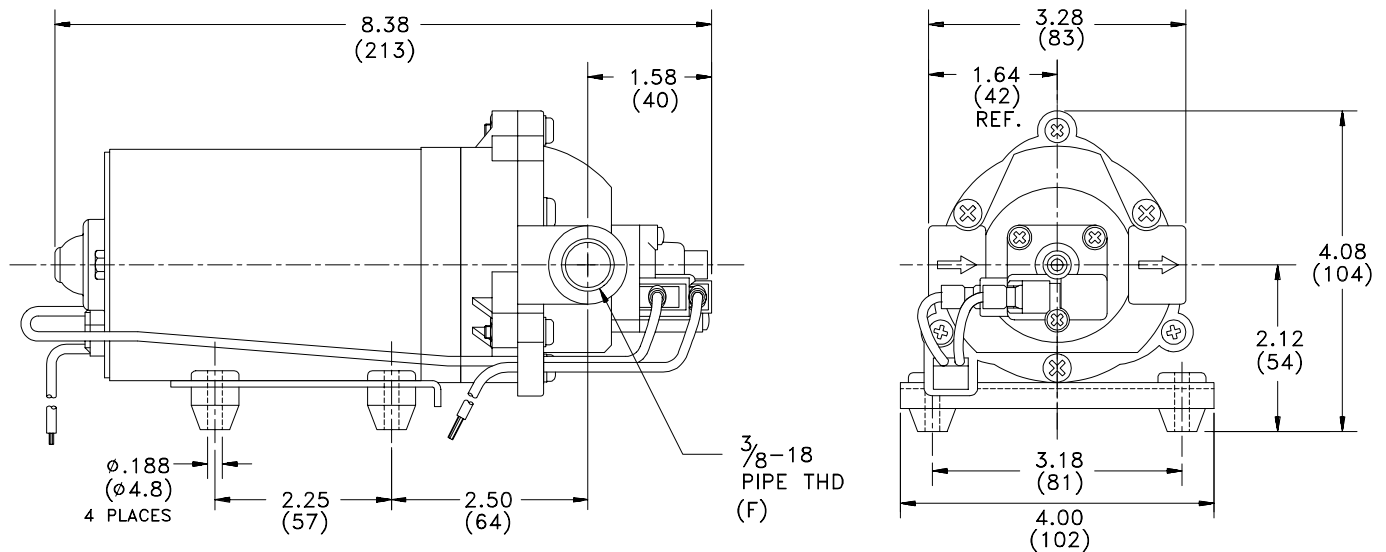
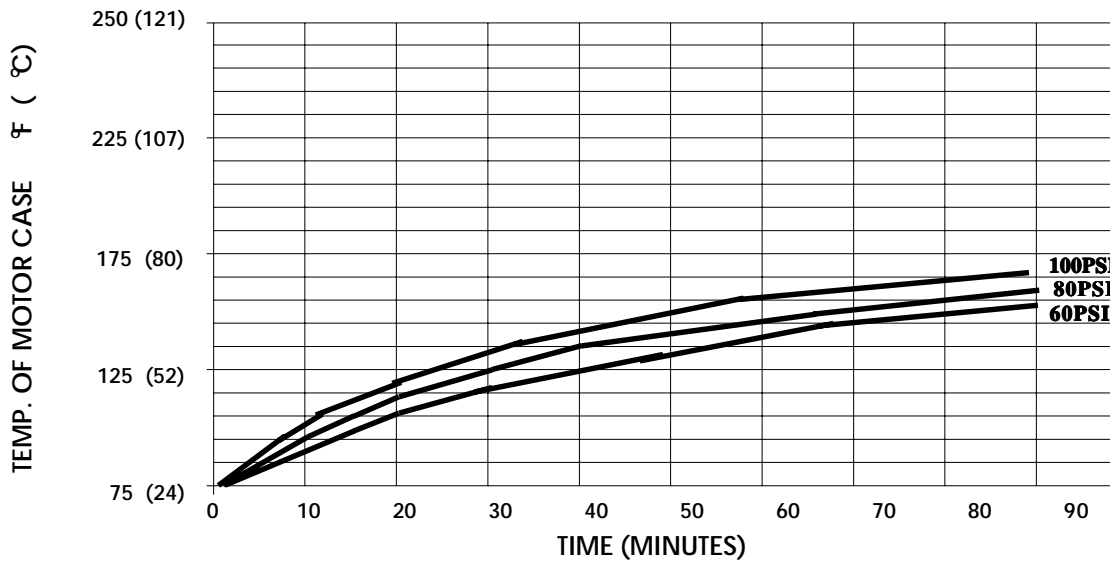
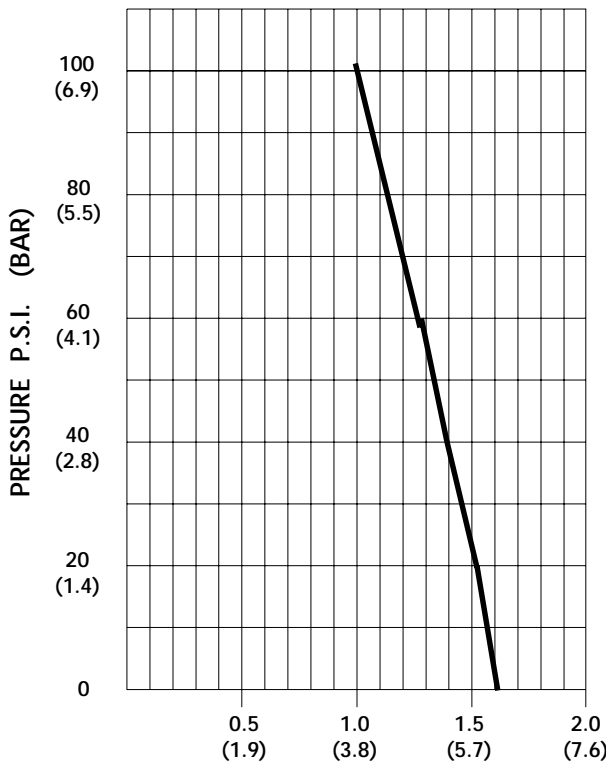


PRODUCT DATA SHEET**MODEL: 8002-793-238****SPECIFICATIONS:****MODEL NUMBER:** 8002-793-238**PUMP DESIGN:** Positive Displacement 3 Chamber Diaphragm Pump**CHECK VALVE:** (1-Way Operation) Prevents Reverse Flow**CAM:** 3.0 Degree**MOTOR:** Permanent Magnet, P/N 11-111-00**VOLTAGE:** 12 VDC Nominal**PRESSURE SWITCH:** Adjustable Shut-Off (Range 40-60 PSI)Factory Set @ 100 PSI, Turn On 85PSI \pm 5 PSI**LIQUID TEMPERATURE:** 180 Degrees Fahrenheit (82 Degrees Centigrade) Max.**PRIME:** Self-Priming Up To 13 Ft. Vertical,**PORTS:** 3/8"-18 NPT Female**MATERIAL OF CONSTRUCTION:****PLASTICS-** Nylon**VALVES-** EPDM**DIAPHRAGM-** Santoprene**FASTENERS-** Zinc Plated Steel**NET WEIGHT:** 4.2Lbs (1.9 Kg)**DUTY CYCLE:** Intermittent (See Temperature Rise Chart)**TYPICAL APPLICATIONS:** Industrial Spraying, Transfer**DIMENSIONS:**

TEMPERATURE RISE



TYPICAL PERFORMANCE



PRESSURE (PSI)	FLOW (GPM/LIT)	RPM MIN/MAX	CURRENT (AMPS)	VOLTAGE (VOLTS)
OPEN	1.74/6.6	2435/2450	2.9	12VDC
10	1.68/6.4	2380/2309	3.6	
20	1.61/5.8	2260/2275	4.4	
30	1.53/5.8	2260/2275	5.1	
40	1.45/5.5	2205/2225	5.7	
50	1.39/5.3	2150/2180	6.4	
60	1.35/5.1	12105/2130	7.0	
70	1.29/4.9	2055/2075	7.6	
80	1.25/4.7	2000/2030	8.2	
90	1.20/4.5	4945/1975	8.8	
100	1.15/4.3	1895/1920	9.3	

FLOW - GALLONS PER MINUTE (LITERS PER MINUTE)

-SPECIFICATIONS SUBJECT TO CHANGE WITHOUT NOTICE.

-All PumpAgents.com buy pumps and parts online.

For technical advice or service please take your pump into your local pump service center.

To order pump or parts or for pricing please go to the following links :

[Shurflo Pumps Home >>](#)

[Shurflo Pumps stock list >>](#)