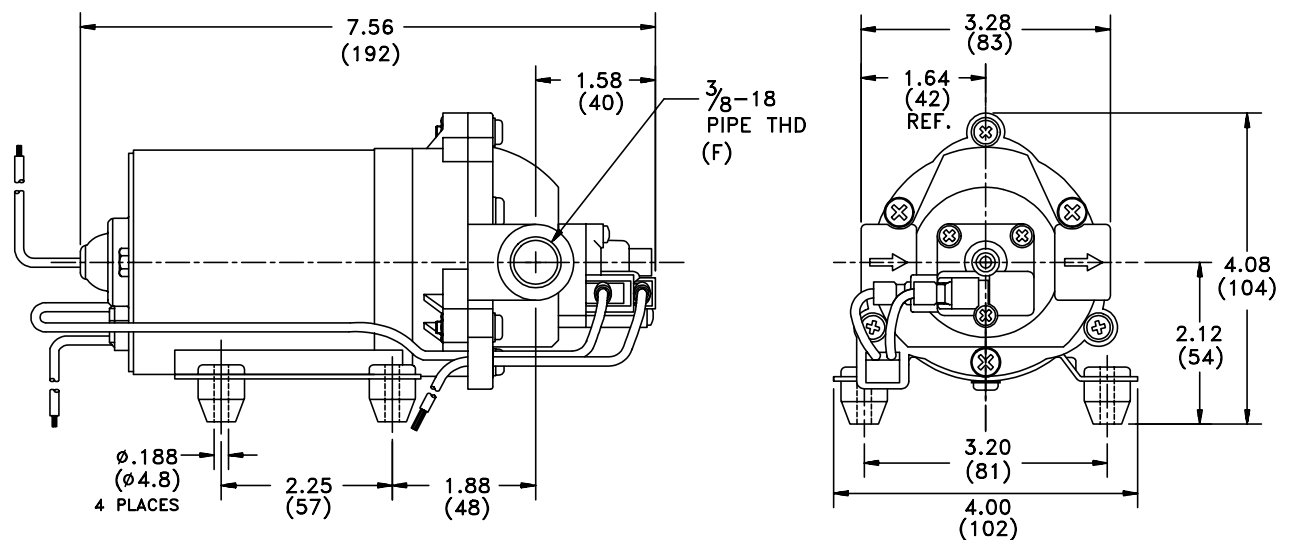
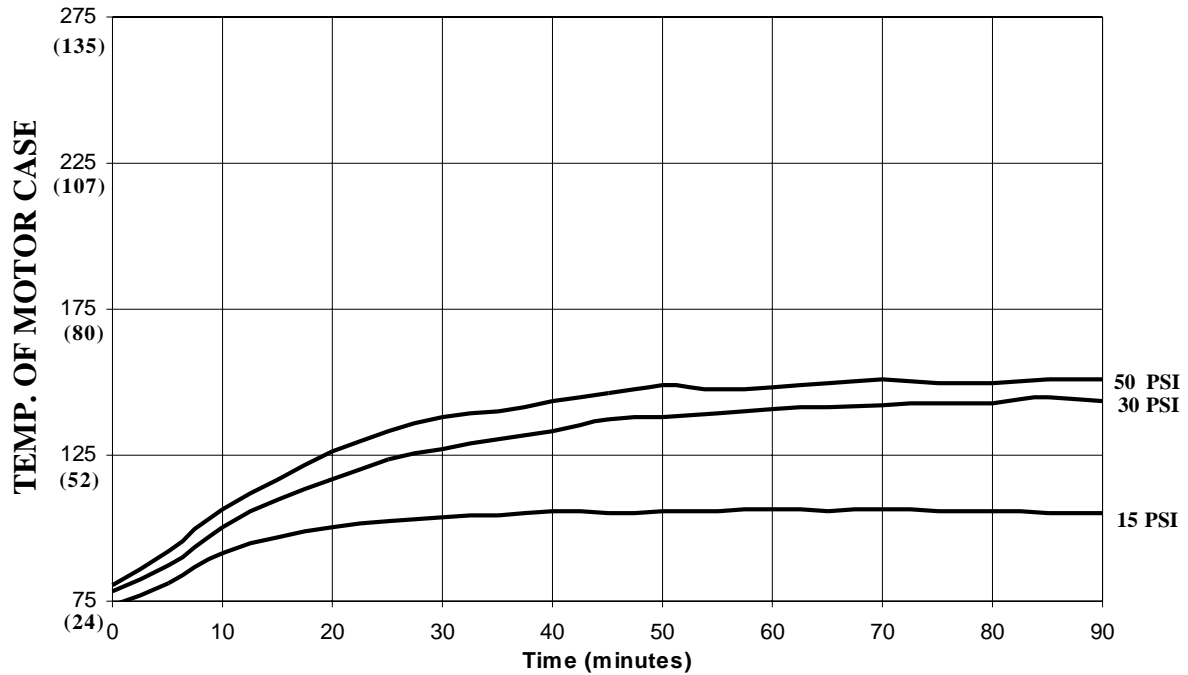
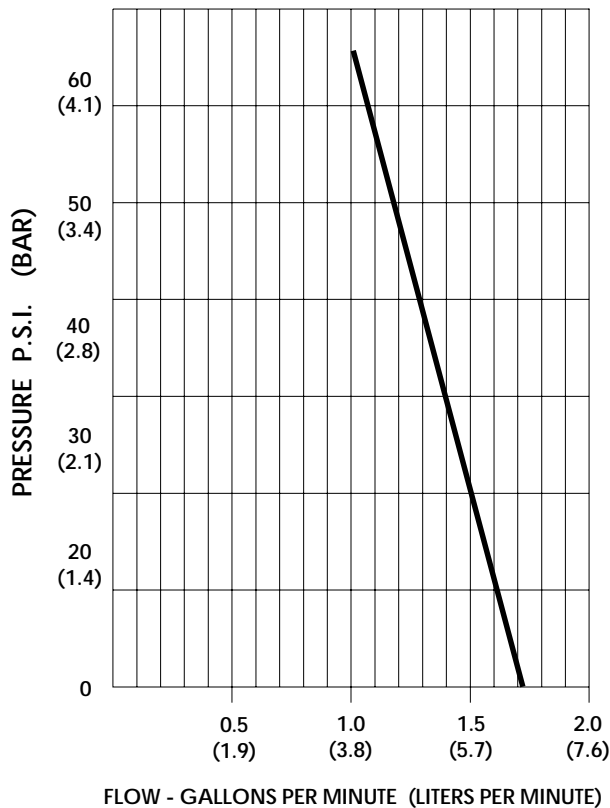


**PRODUCT DATA SHEET****MODEL: 8000-633-236****SPECIFICATIONS:****MODEL NUMBER:** 8000-633-236**PUMP DESIGN:** Positive Displacement 3 Chamber Pump**CHECK VALVE:** (1-Way op.) Prevents Reverse Flow**CAM:** 3.0**MOTOR:** Permanent Magnet P/N 11-150-00 Thermally Protected**VOLTAGE:** 115 VAC Nominal**PRESSURE SWITCH:** Adjustable Shut-Off (Range 40-60 PSI)Factory Set @ 60 PSI, Turn On  $45 \pm 5$  PSI**LIQUID TEMPERATURE:** 170 Degrees Fahrenheit (77 Degrees Centigrade)**PRIME:** Self-Priming up to 8.0 Ft. Vertical**PORTS:** 3/8" -18 NPT Female**MATERIAL OF CONSTRUCTION:****PLASTICS-** Nylon**VALVES-** Buna**DIAPHRAGM-** Geolast (Std)**FASTENERS-** Zinc Plated Steel**NET WEIGHT:** 3.8 Lbs ( 1.72 Kg)**DUTY CYCLE:** Intermittent (See Temperature Rise Chart)**TYPICAL APPLICATIONS:** Automotive Fluid Handling**APPROVALS:** UL/CSA Recognized Component**DIMENSIONS:**

**TEMPERATURE RISE**



**TYPICAL PERFORMANCE**



PRESSURE (PSI)	FLOW (GPM/LIT)	CURRENT (AMPS)	VOLTAGE (VOLTS)
OPEN	1.70/6.4	.40	115V
10	1.59/6.0	.45	
20	1.47/5.6	.51	
30	1.36/5.1	.58	
40	1.25/4.7	.64	
50	1.16/4.4	.71	
60	1.07/4.0	.78	

-SPECIFICATIONS SUBJECT TO CHANGE WITHOUT NOTICE.

-ALL DATA BASED ON TESTING WITH WATER AT AMBIENT TEMPERATURE.

For technical advice or service please take your pump into your local pump service center.

To order pump or parts or for pricing please go to the following links :

[Shurflo Pumps Home >>](#)

[Shurflo Pumps stock list >>](#)