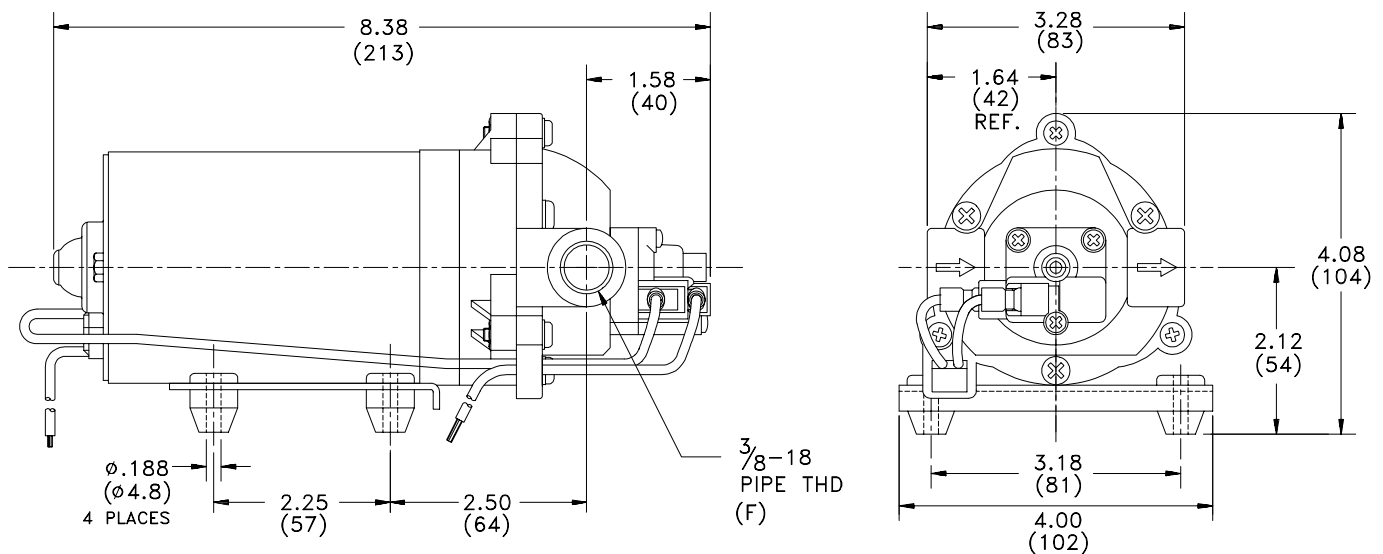
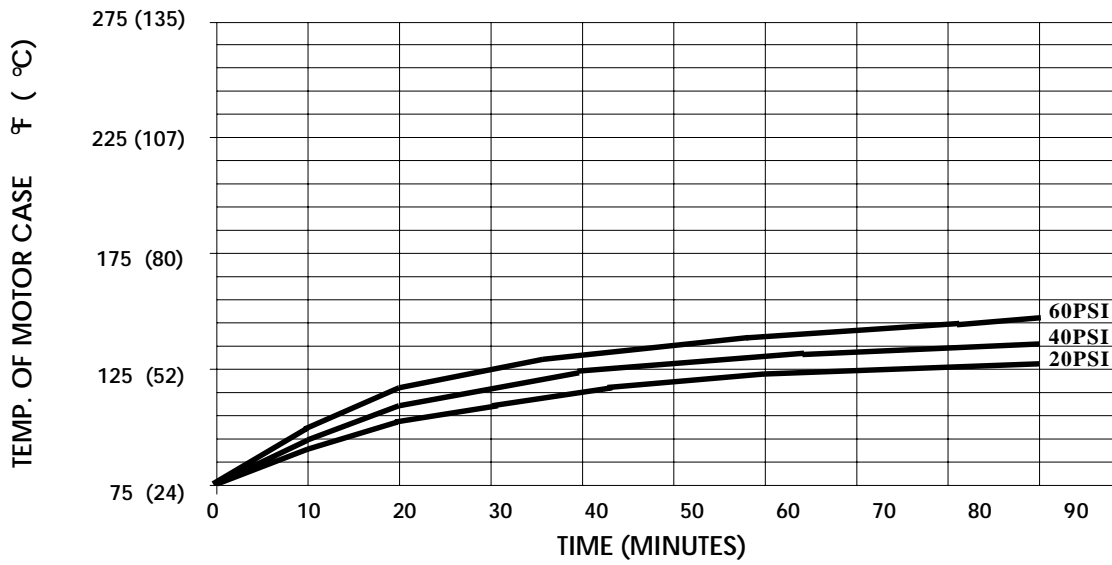


SPECIFICATIONS:**MODEL NUMBER:** 8000-343-236**PUMP DESIGN:** Positive Displacement 3 Chamber Diaphragm Pump**CHECK VALVE:** (2-Way Op.) Prevents Reverse Flow & 6 Ft. Head Forward Flow**CAM:** 2.5 Degree**MOTOR:** Permanent Magnet, P/N 11-111-00**VOLTAGE:** 12 VDC Nominal**PRESSURE SWITCH:** Adjustable Shut-Off (Range 40-60 PSI)

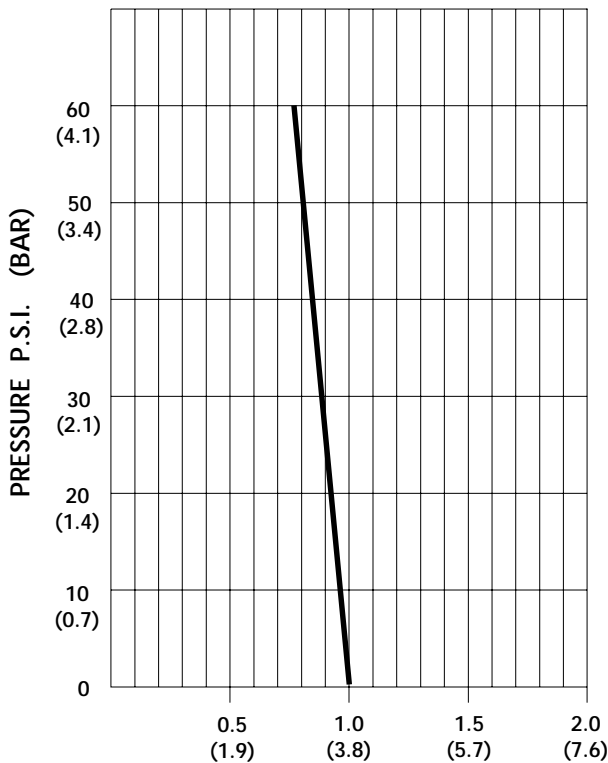
Factory Set @ 60 PSI, Turn On 45 PSI ± 5 PSI

LIQUID TEMPERATURE: 170 Degrees Fahrenheit (77 Degrees Centigrade) Max.**PRIME:** Self-Priming Up To 11 Ft. Vertical,
Max. Inlet Pressure 30 PSI (2.1 Bar)**PORTS:** 3/8"-18 NPT Female**MATERIAL OF CONSTRUCTION:****PLASTICS-** Polypropylene**VALVES-** Viton**DIAPHRAGM-** Viton**FASTENERS-** Zinc Plated Steel**NET WEIGHT:** 4.1 Lbs (1.9 Kg)**DUTY CYCLE:** Continuous (See Temperature Rise Chart)**TYPICAL APPLICATIONS:** Agricultural Spraying**DIMENSIONS:**

TEMPERATURE RISE



TYPICAL PERFORMANCE



PRESSURE (PSI)	FLOW (GPM/LIT)	RPM MIN/MAX	CURRENT (AMPS)	VOLTAGE (VOLTS)
OPEN	1.01/3.8	2400/2470	2.8	12 VDC
10	0.96/3.6	2380/2410	3.3	"
20	0.93/3.5	2300/2370	3.9	"
30	0.89/3.4	2250/2330	4.4	"
40	0.84/3.2	2200/2290	4.9	"
50	0.80/3.0	2165/2260	5.3	"
60	0.76/2.9	2125/2230	5.8	"

FLOW - GALLONS PER MINUTE (LITERS PER MINUTE)

For technical advice or service please take your pump into your local pump service center.

To order pump or parts or for pricing please go to the following links :

[Shurflo Pumps Home >>](#)

[Shurflo Pumps stock list >>](#)