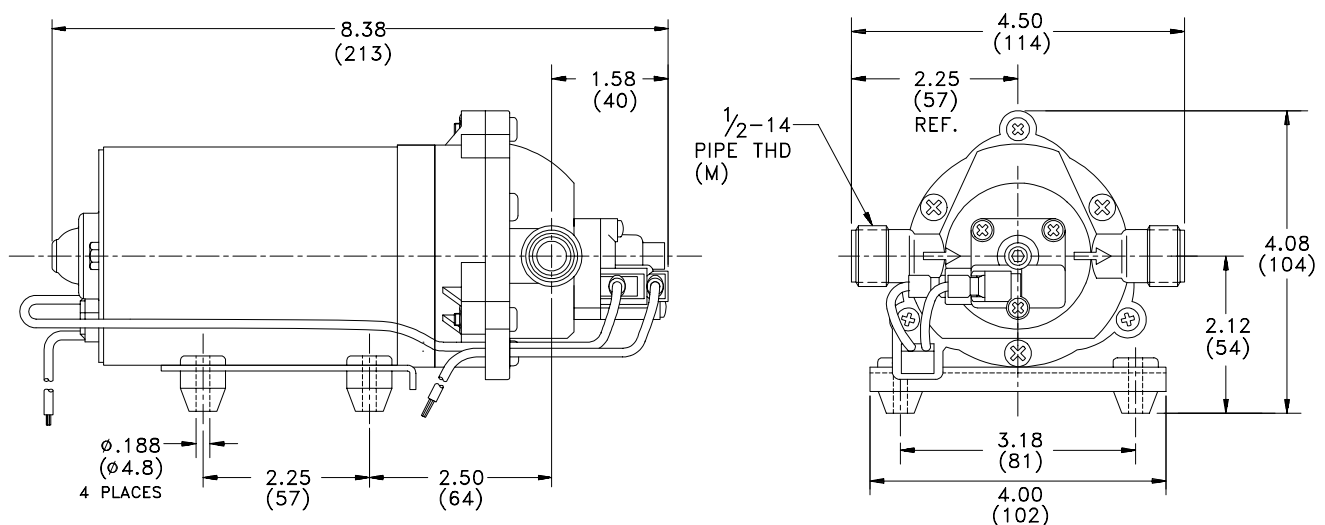
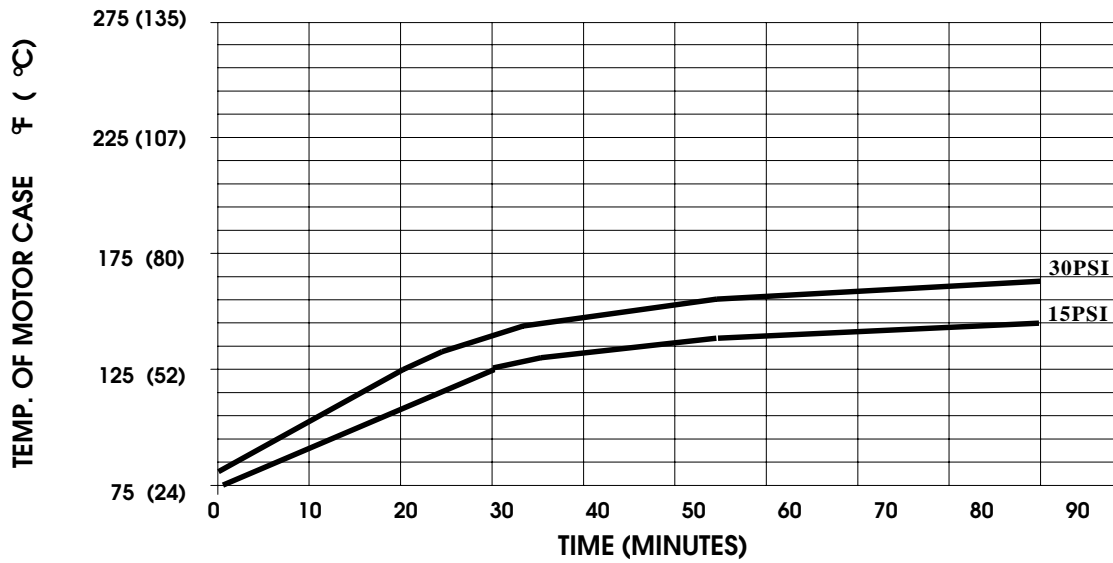
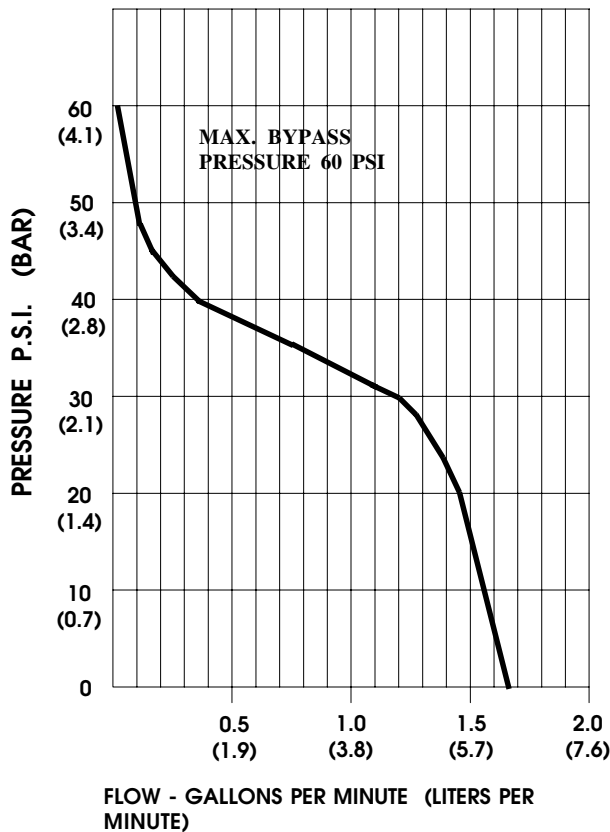


**SHURflo**<sup>®</sup>*First in Fluid Innovation***PRODUCT DATA SHEET****MODEL: 8000-243-155****SPECIFICATIONS:****MODEL NUMBER:** 8000-243-155**PUMP DESIGN:** Positive Displacement 3 Chamber Diaphragm Pump**CHECK VALVE:** (1-Way Operation) Prevents Reverse Flow**CAM:** 3.0 Degree**MOTOR:** Permanent Magnet, P/N 11-111-00**VOLTAGE:** 12 VDC Nominal**PRESSURE SWITCH:** Adjustable Shut-Off (Range 40-60 PSI)Factory Set @ 50 PSI, Turn On 35 PSI  $\pm$  5 PSI**LIQUID TEMPERATURE:** 170 Degrees Fahrenheit (77 Degrees Centigrade) Max.**PRIME:** Self-Priming Up To 12 Ft. Vertical,  
Max. Inlet Pressure 30 PSI (2.1 Bar)**PORTS:** 1/2"-14 Male Parallel Thread**MATERIAL OF CONSTRUCTION:****PLASTICS-** Polypropylene**VALVES-** EPDM**DIAPHRAGM-** Santoprene**FASTENERS-** Stainless Steel**NET WEIGHT:** 4.1 Lbs (1.9 Kg)**DUTY CYCLE:** Continuous (See Temperature Rise Chart)**TYPICAL APPLICATIONS:** Road Sweeper Dust Suppression**BYPASS:** 45 PSI**DIMENSIONS:**

**TEMPERATURE RISE**



**TYPICAL PERFORMANCE**



| PRESSURE (PSI) | FLOW (GPM/LIT) | RPM MIN/MAX | CURRENT (AMPS) | VOLTAGE (VOLTS) |
|----------------|----------------|-------------|----------------|-----------------|
| OPEN           | 1.64/6.2       | 2230/2410   | 3.3            | 12VDC           |
| 10             | 1.56/5.9       | 2170/2345   | 3.9            | "               |
| 20             | 1.46/5.5       | 2115/2280   | 4.6            | "               |
| 30             | 1.26/4.7       | 2065/2222   | 5.2            | "               |
| 40             | 0.35/1.3       | 2036/2182   | 5.6            | "               |
| 45             | 0.10/0.3       | 2010/2157   | 5.7            | "               |

-SPECIFICATIONS SUBJECT TO CHANGE WITHOUT NOTICE.

For technical advice or service please take your pump into your local pump service center.

To order pump or parts or for pricing please go to the following links :

[Shurflo Pumps Home >>](#)

[Shurflo Pumps stock list >>](#)