

**PIRANHA****MARINE** PRODUCT DATA SHEET**OEM: 357-111-00 (700 GPH)****AFTERMARKET: 357-111-10 (700 GPH)**

Everything you are looking for in a bilge pump. Our tough, high density nylon housing and heavy duty water cooled motor gives the SHURflo Bilge Pump unparalleled reliability. Installations are a snap with our unique swivel baseplate and extended 6' tinned wire and assembly. Easy installation and removable cartridge for easy cleaning.

**TYPICAL APPLICATIONS**

12V Marine Bilge Water Evacuation. For other applications, Contact SHURflo.

**PUMP**

Type: Centrifugal Pump  
 Port: 3/4" Barb  
 Liquid: 130 °F [54 °C] Max  
 Prime: Flooded Inlet  
 Run Dry: No

**ELECTRICAL**

Motor: 12VDC Permanent Magnet, Continuous Duty  
 Protection: External Fuse  
 Leads: 6 ft (1.8M) Tinned, 16 AWG  
 Fuse: 5 Amp Recommended  
 Control: No Control

**MATERIALS**

Housing: High Strength Nylon  
 Impeller: High Strength Nylon  
 Hardware: Stainless Steel

**APPROVALS**

Ignition Protected, CE, ISO 8846

**WARRANTY**

3 Year Limited Warranty  
 See SB-1050 For Full Warranty Details

**SHIPPING**

Net Weight (Boxed): 1.25 Lb (0.56 Kg) each  
 Carton Weight: 30 Lb [13.6 Kg]  
 Pumps in Carton: 24  
 Carton Size: 24"L x 18"W x 11" H [61 cm x 46 cm x 28 cm]

**RELATED DOCUMENTS**

Catalog: MS-030-140  
 Installation Manual: 911-593-00  
 Maintenance: 911-593-00  
 Applications Spec Guide: MS-020-005  
 Warranty: SB-1050

**Replacement Kits**

94-006-00

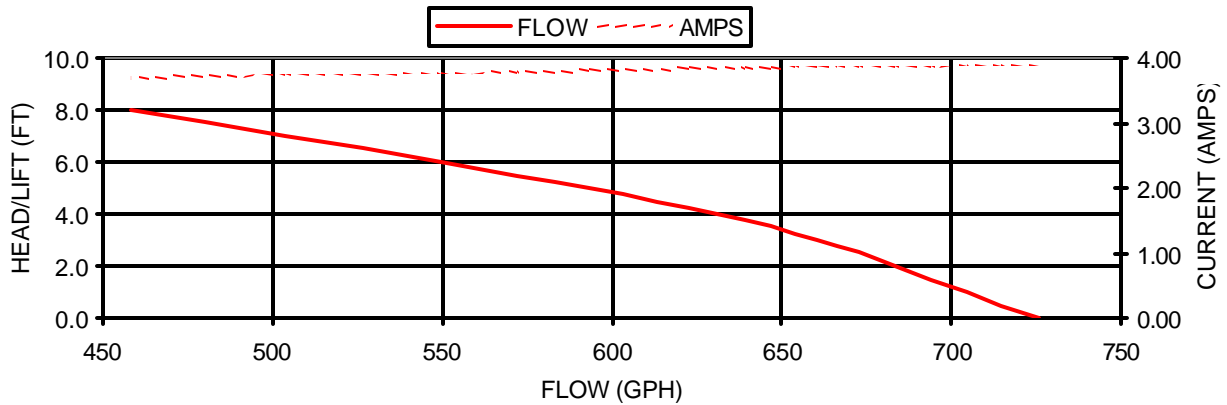


94-007-00

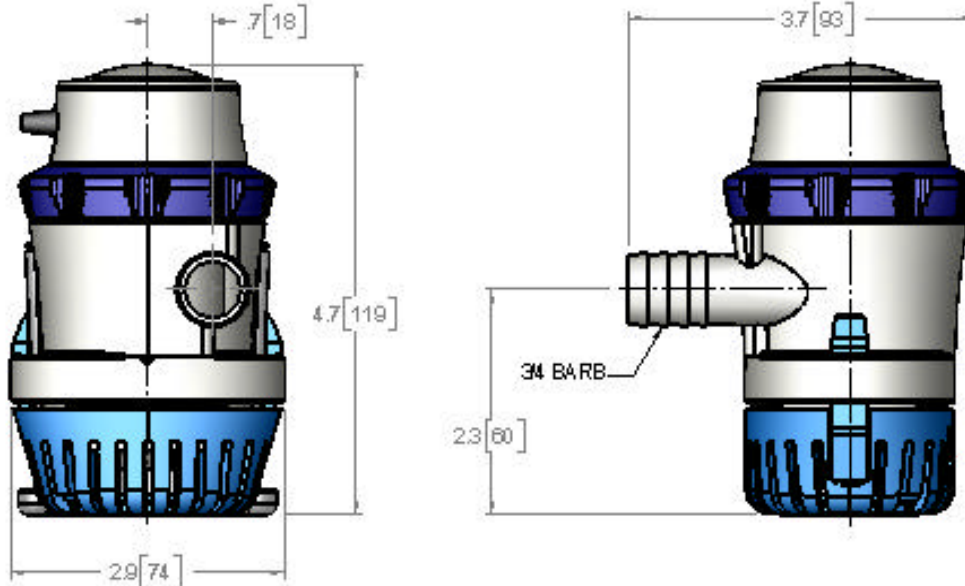


**PERFORMANCE @ 13.6V DC**

PRESSURE		FLOW		CURRENT
METERS	FT OF HEAD	GPH	LPH	AMPS
0.0	0	726	2747	3.90
1.20	4	631	2388	3.86
2.40	8	458	1733	3.70



**DIMENSIONS [mm]**



For technical advice or service please take your pump into your local pump service center.

To order pump or parts or for pricing please go to the following links :

[Shurflo Pumps Home >>](#)

[Shurflo Pumps stock list >>](#)