

Specialty Pumps



MARINE PRODUCT DATA SHEET

OEM: 2095-273-200
AFTERMARKET: 2095-273-200

Specifically designed for refrigeration cold plate circulation, this pump allows you to adjust water flow according to your system.

TYPICAL APPLICATIONS

Refrigeration cold plate circulation. This pump may be used for general water transfer. For other applications contact SHURflo.

PUMP

Type: 3 Chamber Diaphragm
 Ports: 1/2"-14 NPSM-Male
 Liquid: 130 °F [54 °C] Max
 Prime: 6 feet [1.82 M]
 Inlet PSI: 30 PSI [2.1 Bar] Max
 Run Dry: Yes

ELECTRICAL

Motor: 12VDC Permanent Magnet, Continuous Duty
 Protection: Thermal Overload, Automatic Restart
 Leads: 16 AWG, 16" [40 cm] Red +, 13" [33 cm] Black -
 Fuse: 5 Amp Recommended
 Control: No Control

MATERIALS

Housing: Polypropylene
 Valves: EDPM
 Diaphragm: Santoprene
 Hardware: Stainless Steel

APPROVALS

Ignition Protected, CE, ISO 8846

WARRANTY

1 Year Limited Warranty
 See SB-1050 For Full Warranty Details

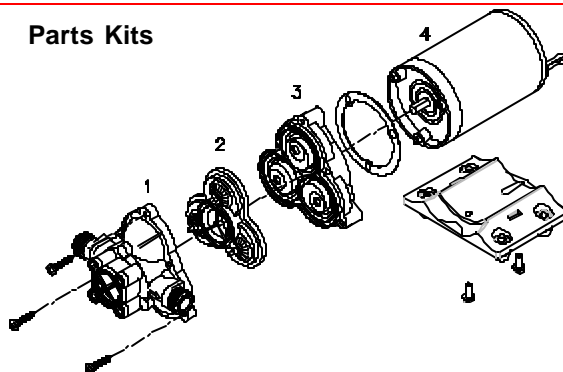
SHIPPING

Net Weight (Boxed): 5.6 Lb [2.5 Kg] each
 Carton Weight: 6 each, 34 Lb [15 Kg]
 Carton Size: 24"L x 18"W x 6"H [61 cm x 46cm x 15 cm]

RELATED DOCUMENTS

Catalog: MS-030-140
 Installation Manual: 911-396
 Maintenance: 911-396
 Applications Spec Guide: MS-020-005
 Warranty: SB-1050

Parts Kits



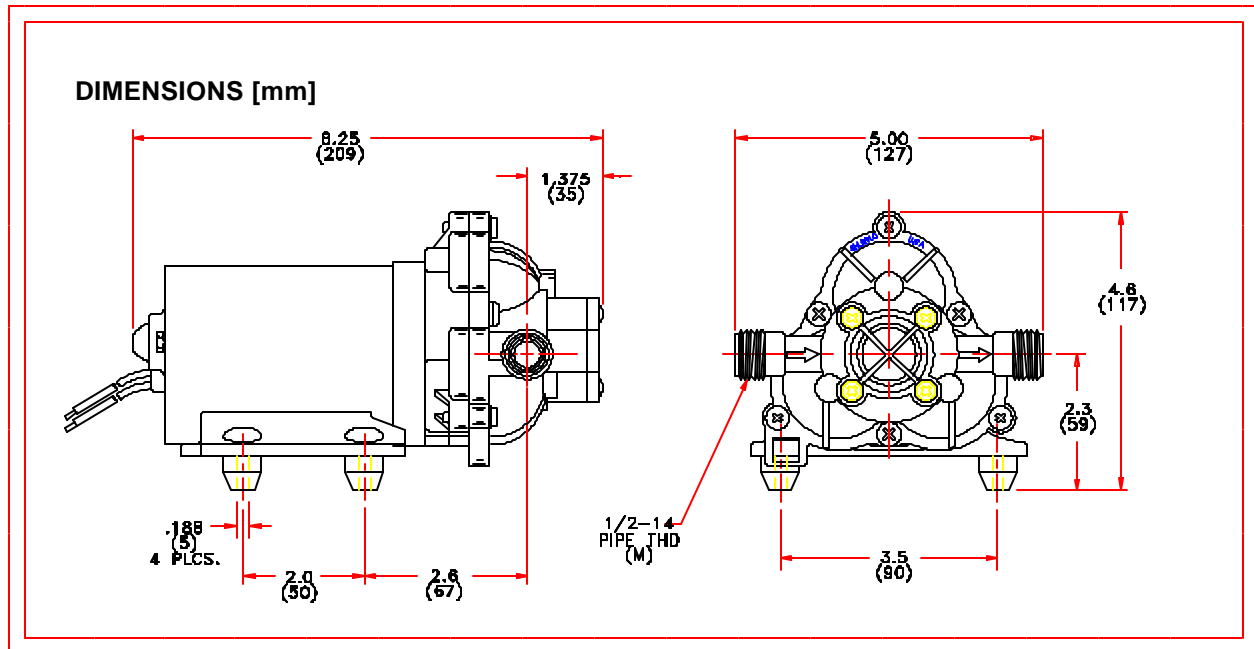
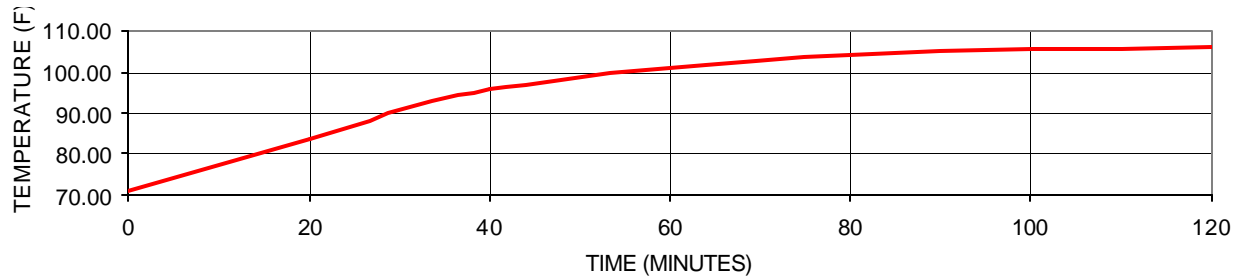
Number	Components	Parts Kits
1	Housing/Cover	--
2	Valve Assembly	94-232-06
3	Drive Assembly	94-238-04
4	Motor	11-187-12
5	Pump Head	--
Not Shown	Check Valve	94-237-00



PERFORMANCE @ 12V DC

PRESSURE		FLOW		CURRENT
BAR	PSI	GPM	LPM	AMPS
0.0	0	1.75	6.6	1.28
1.4	20	1.15	4.4	2.65
2.8	40	0.65	2.5	2.95
4.1	60	0.25	0.9	2.80
5.5	80	0.00	0.0	3.45

MOTOR SHELL T-RISE @ 40 PSI, 12V



For technical advice or service please take your pump into your local pump service center.

To order pump or parts or for pricing please go to the following links :

[Shurflo Pumps Home >>](#)

[Shurflo Pumps stock list >>](#)