

# MARINE PRODUCT DATA SHEET

OEM  
AFTERMARKET

2095-223-644



2095-223-644



## TYPICAL APPLICATIONS

Multi-fixture marine potable water installations. Other uses may include 12 VDC pressurized water systems in cabins. This pump may be used for general water transfer. For other applications, contact SHURflo.

## PUMP

Type: 3 Chamber Diaphragm  
 Ports: 1/2"-14 NPSM-Male  
 Liquid: 130 °F [54 °C] Max  
 Prime: 6 feet [1.82 M]  
 Inlet PSI: 30 PSI [2.1 Bar] Max  
 Run Dry: Yes

## ELECTRICAL

Motor: 12VDC Permanent Magnet, Intermittent Duty  
 Protection: Thermal Overload, Automatic Restart  
 Leads: 16 AWG, 16" [40 cm] Red +, 13" [33 cm] Black -  
 Fuse: 10 Amp Recommended  
 Control: Adjustable Switch with Check Valve Shut-Off 45 PSI  
 [3.1 Bar] ± 5 PSI [0.4 Bar]  
 Restart 25 PSI [1.8 Bar] ± 5 PSI [0.4 Bar]

## MATERIALS

Housing: Polypropylene  
 Valves: EDPM  
 Diaphragm: Santoprene  
 Hardware: Stainless Steel

## APPROVALS

CE, Ignition Protected, ISO 8846

## WARRANTY

1 Year Limited Warranty  
 See SB-1050 For Full Warranty Details

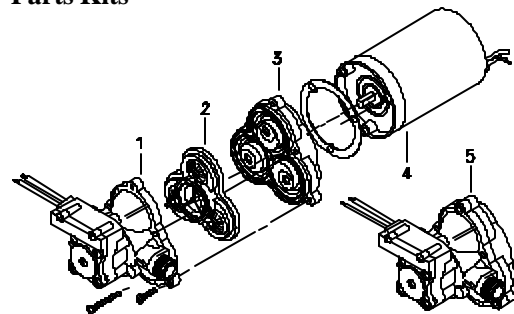
## SHIPPING

Net Weight (Boxed): 5.6 Lb [2.5Kg] each  
 Carton Weight: 6 each, 34 Lb [15 Kg]  
 Carton Size: 24"L x 18"W x 6"H  
 [61cm x 46cm x 15cm]

## RELATED DOCUMENTS

Catalog: MS-030-084  
 Installation Manual: 911-448  
 Maintenance: 911-448  
 Applications Spec Guide: MS-020-005  
 Warranty: SB-1050

## Parts Kits



Number	Component	Parts Kit
1	Housing/Switch	94-231-10
2	Valve Assembly	94-232-06
3	Drive Assembly	94-238-03
4	Motor	11-187-06
5	Pump Head	94-236-14
Not Shown	Check Valve	94-237-00



# MARINE PRODUCT DATA SHEET

OEM  
AFTERMARKET

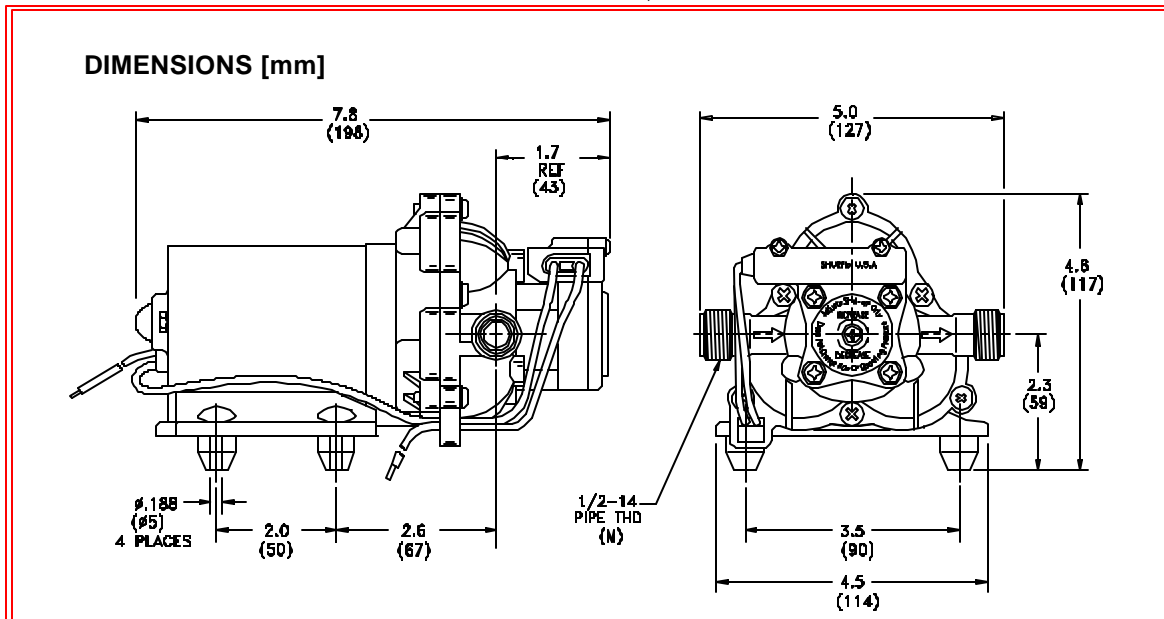
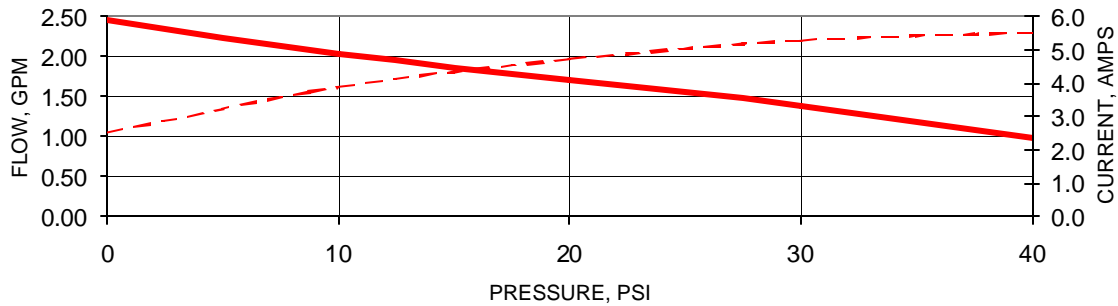
2095-223-644



## TYPICAL PERFORMANCE @ 12V DC

PRESSURE		FLOW		CURRENT
BAR	PSI	GPM	LPM	AMPS
0.0	0	2.45	9.3	2.50
0.7	10	2.04	7.7	3.88
1.4	20	1.71	6.5	4.71
2.1	30	1.39	5.3	5.28
2.8	40	0.98	3.7	5.51

— FLOW - - - AMPS



For technical advice or service please take your pump into your local pump service center.

To order pump or parts or for pricing please go to the following links :

[Shurflo Pumps Home >>](#)

[Shurflo Pumps stock list >>](#)