

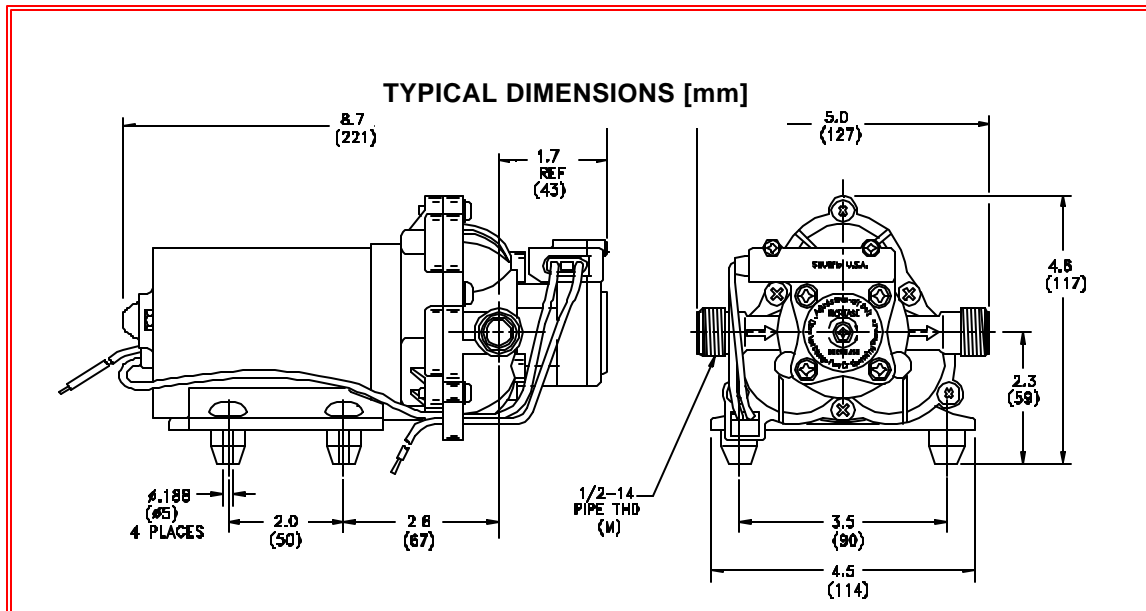
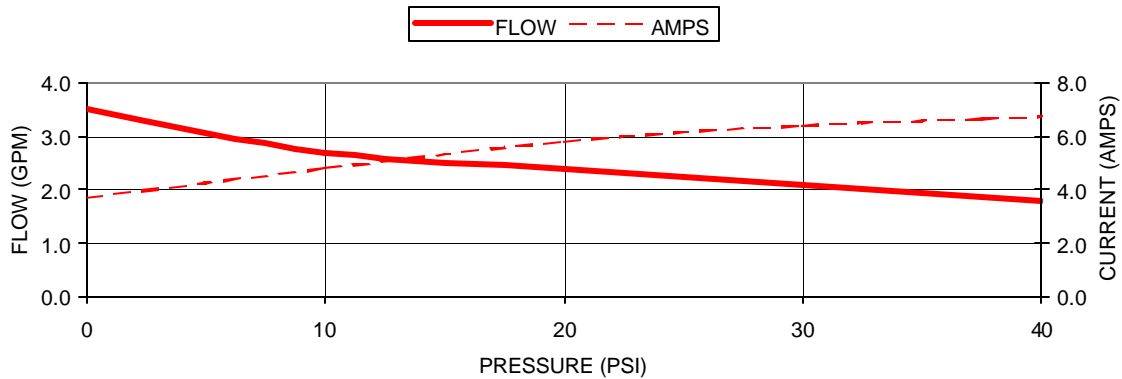
MARINE PRODUCT DATA SHEET

OEM 2088-732-244
 AFTERMARKET 2088-534-344



TYPICAL PERFORMANCE @ 12V DC

PRESSURE		FLOW		CURRENT
BAR	PSI	GPM	LPM	AMPS
0.0	0	3.5	13.2	3.7
0.7	10	2.7	10.2	4.8
1.4	20	2.4	9.0	5.8
2.1	30	2.1	7.9	6.4
2.8	40	1.8	6.8	6.7



*ISO Registered Facility

PumpAgents.com - buy pumps and parts online

SHURflo reserves the right to update specifications, prices, or make substitutions.



For technical advice or service please take your pump into your local pump service center.

To order pump or parts or for pricing please go to the following links :

[Shurflo Pumps Home >>](#)

[Shurflo Pumps stock list >>](#)