

MARINE PRODUCT DATA SHEET

OEM 1700-100-010 (500 GPH)
 AFTERMARKET 1700-101-010 (500 GPH)



Magnetic Drive Bilge Pump



TYPICAL APPLICATIONS

12V Marine Bilge. For other applications, contact SHURflo.

PUMP

Type: Centrifugal Pump
 Port (Output): 3/4" Barb
 Liquid: 130 °F [54 °C] Max
 Prime: Flooded Inlet
 Inlet PSI: N/A
 Run Dry: Yes

ELECTRICAL

Motor: 12VDC Permanent Magnet, Continuous Duty
 Protection: External Fuse
 Leads: 6 ft (1.8M) Tinned Wires, Twisted Jacketed Cable
 Fuse: 2 Amp Recommended
 Control: Solid State Control with Magnetic Reed Float Switch. Activation and Timed Shut-Off. After Switch Opening.

MATERIALS

Housing: High Strength Nylon
 Impeller: Acetal
 Hardware: Stainless Steel

APPROVALS

Ignition Protected, ISO 8846

WARRANTY

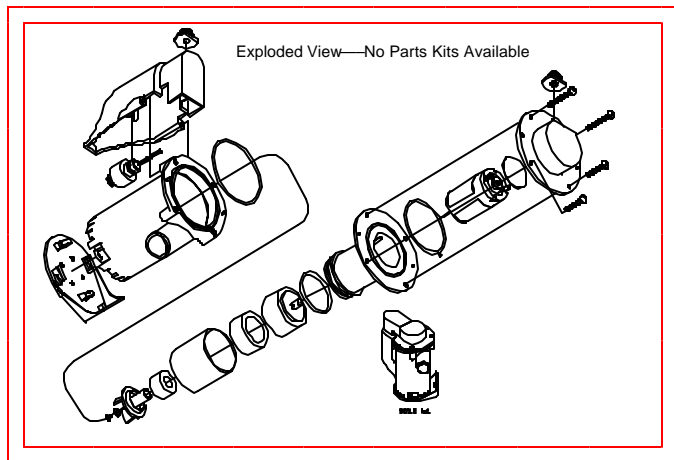
3 Year Limited Warranty
 See SB-1050 For Full Warranty Details

SHIPPING

Net Weight (Boxed): 2.5 Lb [1.1 Kg] each
 Carton Weight: 27 Lb [12.2 Kg]
 Pumps in carton: 10
 Carton Size: 24"L x 18"W x 11"H [60 cm x 45 cm x 28 cm]

RELATED DOCUMENTS

Catalog: MS-030-083 / 030-084
 Installation Manual: 911-467
 Maintenance: 911-467
 Applications Spec Guide: MS-020-005
 Warranty: SB-1041 / SB-1050



MARINE PRODUCT DATA SHEET

OEM

1700-100-010 (500 GPH)

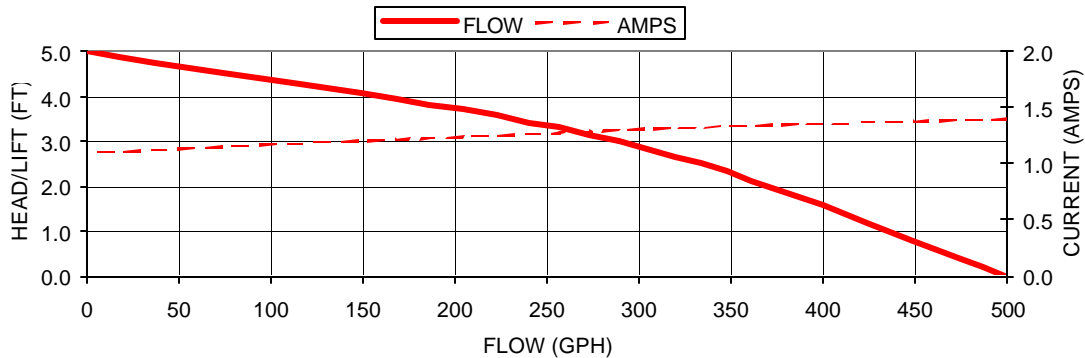
AFTERMARKET

1700-101-010 (500 GPH)

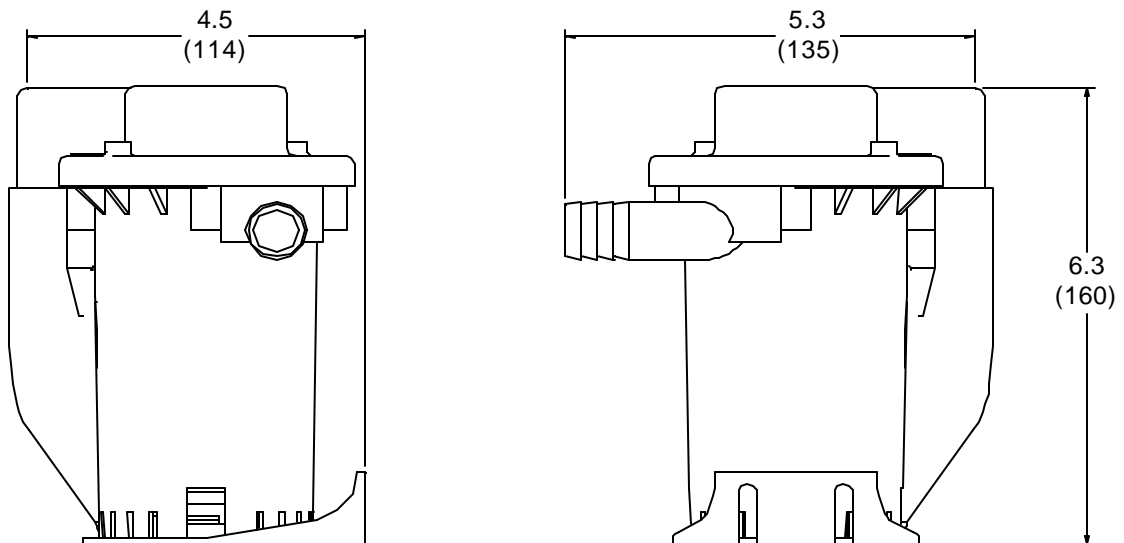


TYPICAL PERFORMANCE @ 12V DC

PRESSURE		FLOW		CURRENT
METERS	FT OF HEAD	GPH	LPH	AMPS
0.0	0	500	1892	1.4
0.9	3	289	1093	1.3
1.5	5	0	0	1.1



DIMENSIONS [mm]



For technical advice or service please take your pump into your local pump service center.

To order pump or parts or for pricing please go to the following links :

[Shurflo Pumps Home >>](#)

[Shurflo Pumps stock list >>](#)