

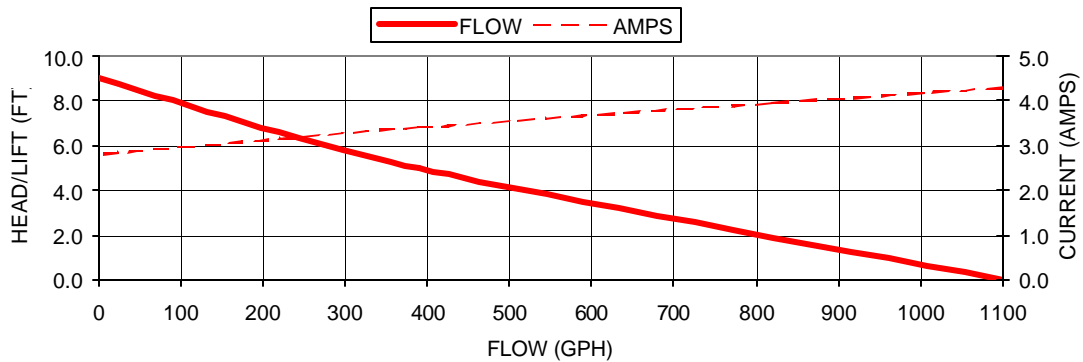
MARINE PRODUCT DATA SHEET

OEM 1700-020-030 (1100 GPH)
 AFTERMARKET 1700-021-030 (1100 GPH)

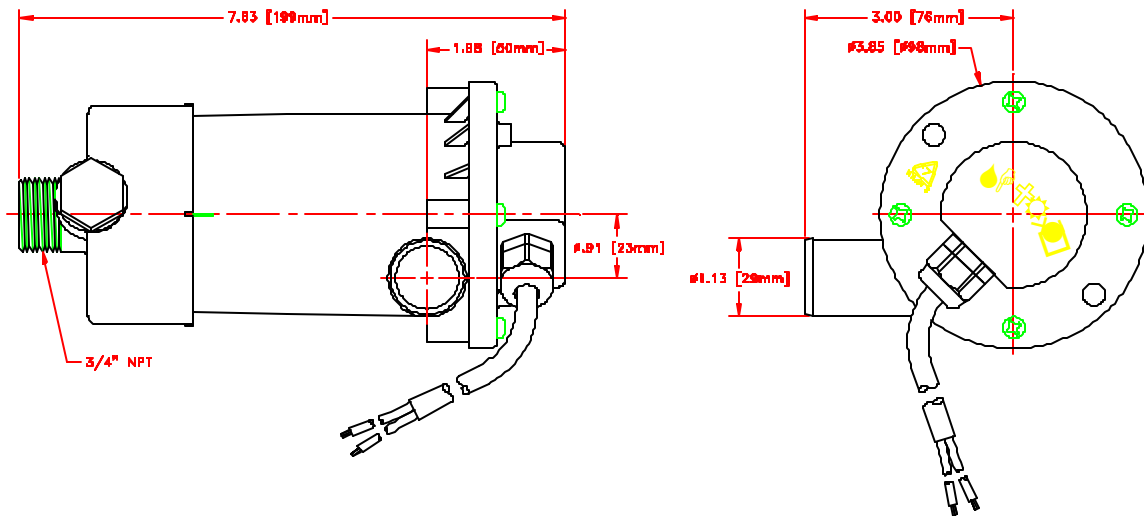


TYPICAL PERFORMANCE @ 12V DC

PRESSURE		FLOW		CURRENT
METERS	FT OF HEAD	GPH	LPH	AMPS
0.0	0	1100	3028	4.3
1.5	5	390	1476	3.4
2.7	10	0	0	2.8



DIMENSIONS [mm]



*ISO Registered Facility



For technical advice or service please take your pump into your local pump service center.

To order pump or parts or for pricing please go to the following links :

[Shurflo Pumps Home >>](#)

[Shurflo Pumps stock list >>](#)