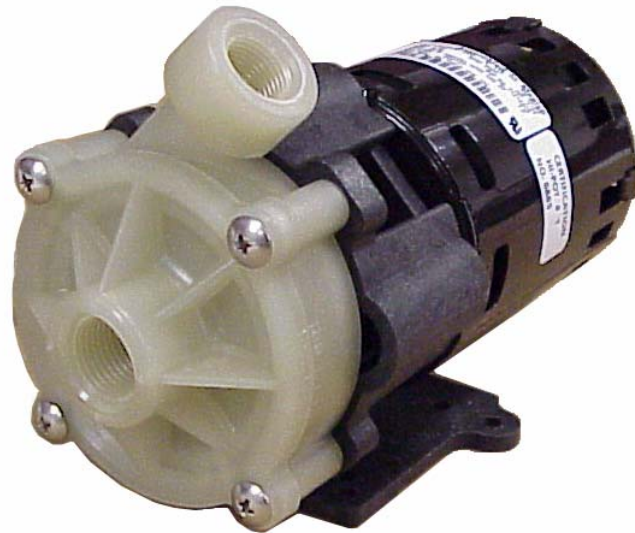


# INSTRUCTIONS & REPAIR PARTS FOR MODELS MDXT AND MDXT-3



**MODELS  
MDXT  
MDXT-3**

Model No.	CONNECTORS		ELECTRICAL					G.P.H. AT LISTED HEAD					MAX. HEAD	P.S.I. Gage	DIMENSIONS			Pack Wt.	
	Inlet	Outlet	R.P.M.	Hz.	H.P.	Watts	Amps.	1 Ft.	3 Ft.	6 Ft.	9 Ft.	12 Ft.			15 Ft.	Ht.	Wd.		Lg.
MDXT	1/2" F.P.T.	3/8" F.P.T. 1" O.D. Smooth	1750	50-60	1/55	64	.85	360	300	210	0	0	0	7 Ft.	3.1 Lbs.	5"	3 3/4"	7"	5 1/2 Lbs.
MDXT-3			3500	50-60	1/25	108	1.35	510	480	420	360	300	240	19 Ft.	8.3 Lbs.	5"	3 3/4"	8"	6 Lbs.

## PUMP CONSTRUCTION

March "ORBITAL" Magnetic Drive Pumps eliminate the conventional shaft seals found in most pumps. This means that there is no rotating seal to wear and allow the liquid being pumped to leak out. There are only two areas in this type construction that rotate and could wear out. One area is the motor shaft and bearings. The second area is the impeller rotating on a stationary spindle, and hence these are the only two areas where wearing can occur.

All parts can be easily serviced and replaced in the field if necessary. By removing the 4 housing screws, the entire pump can be disassembled. See the Repair Parts List for necessary replacement items.

## PUMP MATERIALS

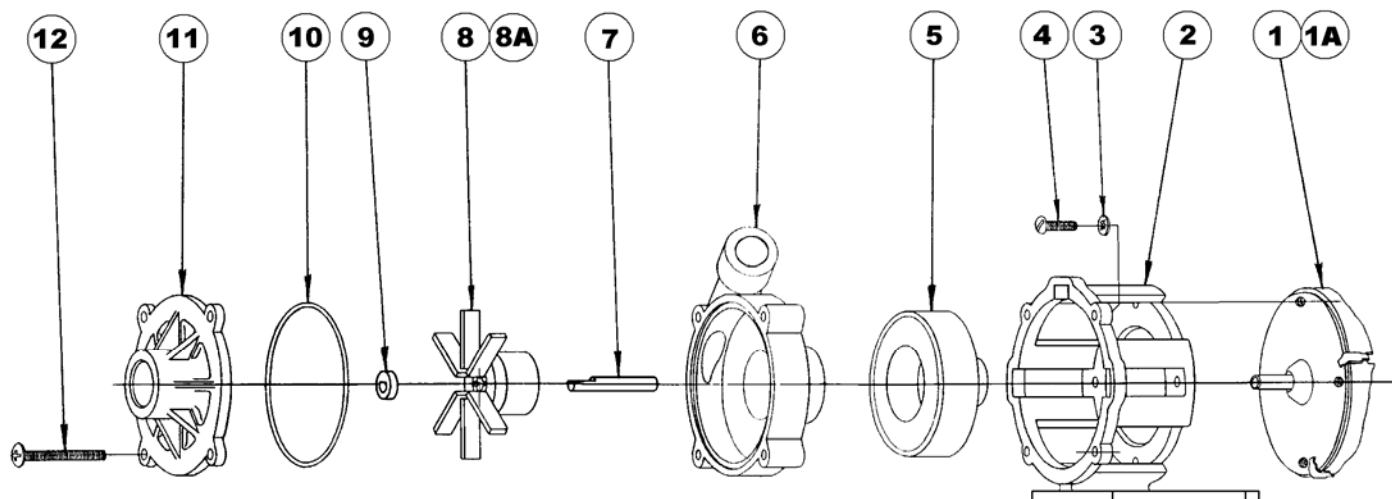
The plastic parts are molded out of glass filled polypropylene. The thrust washer is ceramic. The

stationary impeller spindle on the MDXT/MDXT-3 is ceramic. The "O" rings are Buna N rubber. The magnet is a glazed ceramic. For materials other than standard, and for plastic encapsulated impeller magnets, contact the factory.

## ELECTRICAL & OPERATION

The motors are 115 volt, 50/60 Hz, 1 phase A.C.—230 volt motors are available. Motors are all thermal overload protected and are UL recognized. The black and white lead should be connected to your power source. The green lead must be connected to the ground.

Pumps are not self priming and will not produce a suction lift and must be installed with a positive flooded suction. The pumps should not be run dry for more than 60 seconds as the plastic impeller will squeal and bind onto the stationary spindle.



REPAIR PARTS LIST				
ITEM	DESCRIPTION	USED IN	QTY.	PART NO.
1	Motor—1750 RPM—115 Volts—50/60 Hz	MDXT	1	0135-0109-1000
1A	Motor—3500 RPM—115 Volts—50/60 Hz	MDXT-3	1	0135-0036-1000
2	Motor Bracket	All	1	0135-0168-0100
3	#8 Int. Lock Washer	All	4	0620-0010-1000
4	#8-32 x 5/8 Lg. Round Head Screw	All	4	0618-0027-1000
5	Drive magnet Assembly (Molded)	All	1	0135-0126-0100
6	Pump Housing	All	1	0135-0171-1000
7	Impeller Spindle (Ceramic)	All	1	0809-0160-1000
8	Impeller & Magnet Assem. (3,500 RPM)	MDXT-3	1	0135-0043-0100
8A	Impeller & Magnet Assem. (1,750 RPM)	MDXT	1	0135-0026-0100
9	Thrust Washer (Ceramic)	All	1	0130-0028-1000
10	2-3/4 I.D. x 1/16 Thk. "O" Ring Buna	All	1	0135-0039-1000
11	Pump Housing Cover	All	1	0135-0172-1000
12	#10-32 x 1-1/2 Lg. Screw	All	4	0823-0008-1000

Contact factory for other materials and/or parts not listed.

### LIMITED WARRANTY

March pumps are guaranteed only against defects in workmanship or materials for a period of one year from date of manufacture pumping water. On all other solutions, contact the factory for application assistance. March Pump Application Worksheet 750-130-10 is available for additional warranty information.