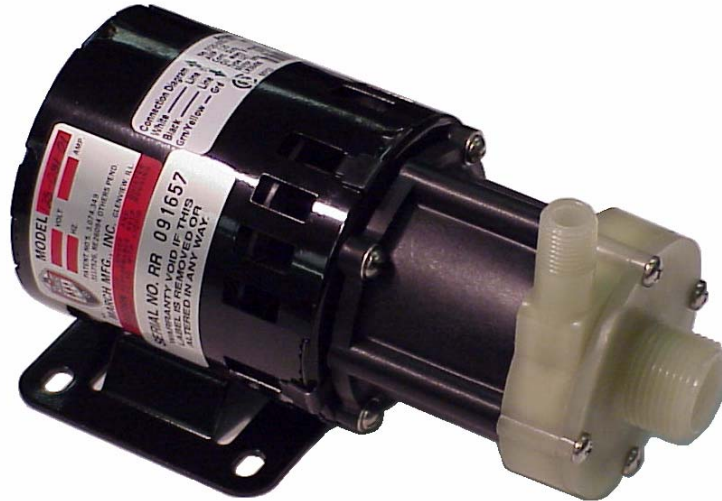


INSTRUCTIONS & REPAIR PARTS FOR FOR MODEL AC-2C-MD PUMP



MODEL AC-2C-MD
PART NO. 0125-0051-0100

RATINGS AND SPECIFICATIONS

MODEL NO.	CONNECTORS		ELECTRICAL			G.P.H. At LISTED HEAD				MAX. HEAD	PSI GAGE	DIMENSIONS			PACK WT.
	Inlet	Outlet	HP	Watts	Amps	1 Ft.	3 Ft.	6 Ft.	12 Ft.			Ht.	Wd.	Lg.	
AC-2C-MD	3/8" FPT 3/4" MPT	1/4" MPT	1/35	100	1.2	300	260	195	45	13 Ft.	5.7	3-3/4	3-3/8	7-1/4	4-1/2 lbs.

PUMP CONSTRUCTION & SERVICING

March "Orbital" Magnetic Drive Pumps eliminate the conventional shaft seals found in most pumps. This means that there is no rotating seal to wear and allow the liquid being pumped to leak out. The Model AC-2C-MD has an open-air fan cooled, moisture-protected motor, with sleeve bearings and thermal overload protection, allowing the pumps to be run continuously.

All pumps can be serviced with the use of a screwdriver. The only moving part in the pump other than the motor is the impeller-magnet assembly. This assembly rotates on a stationary spindle and up against a thrust washer. These are the only parts that can wear, and may need to be replaced. See the Repair Parts List for replacement parts.

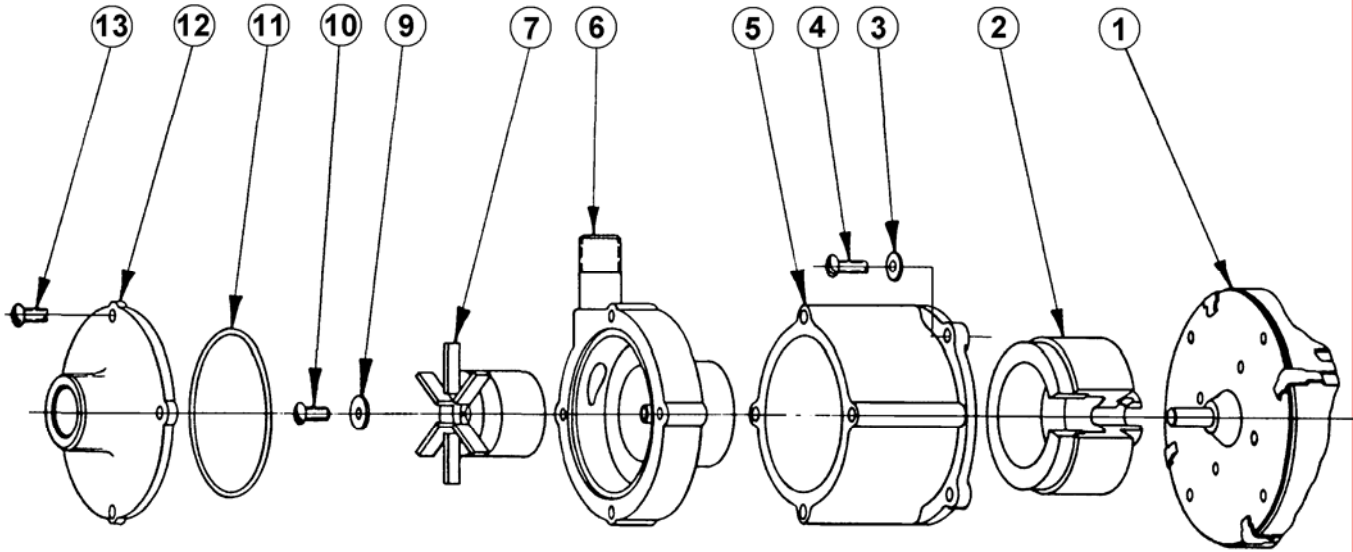
ELECTRICAL CONNECTIONS AND RUNNING DRY

All models are standard in 115 volt, 50/60 cycle, 1 phase, A.C. The motors are thermal overload protected, and the motor, overload combinations are U.L., and C.S.A. listed. All cord sets are U.L. approved 18/3 wire, SJO or SJT cords. The AC style pumps have 3-foot long cords with no plug attached.

March Pumps utilize the liquid being pumped to lubricate the impeller-magnet assembly spinning on the stationary spindle, and therefore should not be run dry. Contact the factory for special applications.

PUMP MATERIALS

All screws are type 18-8 stainless.
All "O" ring gaskets are Buna-N rubber.
The stationary spindle is type 316 stainless.
All plastic parts are Glass Filled Polypropylene Plastic.
The thrust washers are Teflon and stainless steel.
Other materials are available, contact the factory for other than standard parts.



MODEL AC-2C-MD REPAIR PARTS LIST			
ITEM	DESCRIPTION	QTY.	PART NUMBER
1	Motor, 115 Volt, 50/60 Cycle, 3600 RPM	1	0125-0052-1000
2	Drive Magnet Assembly	1	0125-0083-0100
3	Washers	4	0858-0004-1000
4	Screws	4	0150-0015-1000
5	Connecting Bracket	1	0125-0051-1000
6	Pump Housing and Shaft Assembly	1	0125-0039-0100
INTERNAL REPLACEMENT PARTS FOR HOUSING ASSEMBLY			
	Impeller Spindle	1	0135-0033-1000
	Spindle "O" Ring, Viton Rubber	1	0135-0041-1000
	Support Washer	1	0135-0044-1000
	Spindle Screw	1	0135-0040-1000
7	Impeller and Magnet Assembly	1	0125-0029-0100
9	Type 316 Stainless Thrust Washer	1	0135-0016-1000
10	Type 316 Stainless Thrust Screw	1	0135-0042-1000
11	Cover "O" Ring, Buna "N" Rubber	1	0125-0015-1000
12	Cover	1	0125-0027-1000
13	Cover Screws	4	0115-0023-1000

Contact factory for other materials and/or parts not listed.

LIMITED WARRANTY

March pumps are guaranteed only against defects in workmanship or materials for a period of one year from date of manufacture pumping water. On all other solutions, contact the factory for application assistance. March Pump Application Worksheet 750-130-10 is available for additional warranty information.



1819 PICKWICK AVE., GLENVIEW, IL 60026-1306, U.S.A
 0125-0072-1000 R7